



PARTS CATALOG

Published

2009/7 (Jul.)

0CR10-G74900

Introduction

1. This parts catalog is a first edition of the 3JH5E Diesel engine.

	Parts catalog No.	Date of issue	Remarks
First edition	OCR10-G74900	Dec. , 2008	

2. Standard finish color.

	Yanmar ecole silver metallic
Parts No. 977620-10070	1L (Packed in a can)
Parts No. 977620-40070	4L (Packed in a can)
Parts No. TOR-90090003	Spray (1 piece)

3. This parts catalog does not contain the technical data needed for maintenance service.

4. The illustrations used in this parts catalog have been simplified for clarity.

5. The contents of this parts catalog are subject to change without notice.

6. Be sure to use only Yanmar genuine part for repairs. If imitation parts are used, it may cause engine defects.

Directions for the Parts Catalog.

- 1.The parts stipulated in this Parts Catalog are not necessarily standard equipped parts.
- 2.Parts may change without prior notice.
- 3.The following is an example of the Parts Catalog format.

REF.	LEV.	PARTSNo.	DESCRIPTION	QTY						I	R
				(A)	(B)	(C)	(D)	(E)	(F)		
1		729595-51390	FUEL INJECTION PUMP	1	1	1	1	1			
1-1	1	729595-51391	FUEL INJECTION PUMP	1	1	1	1	1			N
		(A=E00185) (B=E00200)									
3	2	26022-060162	SCREW M 6X16	9	9	9	9	9			
3-1	2	26022-060162	SCREW M 6X16	4	4	4	4	4			K
		(A=E00156) (B=E00156) (C=E00156) (D=E00156) (E=E00156)									
4	2	129470-51040	GAMSHIFT	9	9	9	9	9			
5	2	122710-51050	BEARING. ROLLER	9	9	9	9	9			
6	2	129470-51060	RETAINER	9	9	9	9	9			

Remarks	
(1)	BOOST COMPEMSATOR TYPE. OPTIONAL PART. TO E/#00155 (4JH-DT, 4JH-DTZ)

①Ref. No.

The Ref. No. listed may not be in accordance with the illustration Ref. No.

(Ex.) Illustration No. List Ref No.

1 1 (Before change) → 1-1 (After change)

For interchangeable symbols N, R and K, illustrations for new parts may be abbreviated.

②Lev. (Level)

Level indication

The numbers below indicate the level of relativity towards the main part.

1 ---- Main parts (Assembly parts)

2 ---- Sub component included in " 1 ".

3 ---- Sub component included in " 2 ".

Note) Parts that are not for sale are partially illustrated but not listed.

③Change Mark

The "I" indicates parts that were newly changed.

④Interchangeability Mark

When a part change takes place, one of the following interchangeability symbols is indicated beside the part.

Symbol	Interchangeability	Contents note
N	Old $\begin{matrix} \leftarrow \text{Yes} \\ \text{No} \rightarrow \end{matrix}$ New	New Part is interchangeable for Old Part but Old Part is not interchangeable for New Part.
Q	Old $\begin{matrix} \leftarrow \text{No} \\ \text{Yes} \rightarrow \end{matrix}$ New	New Part is not interchangeable for Old Part but Old Part is interchangeable for New Part.
R	Old $\begin{matrix} \leftarrow \text{Yes} \\ \text{Yes} \rightarrow \end{matrix}$ New	New/ Old Parts are both interchangeable.
S	Old $\begin{matrix} \leftarrow \text{No} \\ \text{No} \rightarrow \end{matrix}$ New	New/ Old Parts are both not interchangeable.
W		Part discontinued.
Z		Part newly added.
F		Not interchangeable by a single part but interchangeable together with related parts.
K		Changes only for used parts quantities.

⑤Effective Machine No.

When a part changes, the effective Machine No. will be indicated in the (A)-(F) column.

Product Symbol	Product No.	Product Symbol	Product No.
C	Clutch No. Compressor No.	F	Machine No. (Agricultural Equip.)
D	Drive No.	M	Machine No.
E	Engine No.	Note 1)	Date

Note 1) A date may follow the symbol. (Ex.) 1996.01

Note 2) " XXX " are for parts that could not be predicted or for engine models that could not be identified.

Note 3) (A=E/#00185) is the E/# (Engine Serial Number) for the column (A) model (in this case 4JH-DT) after the parts design change.

⑥Remarks Mark

Figures or alphabets (symbols) are entered in the remarks column.

The comments (remarks) on parts that are indicated at the bottom of the illustration are the same symbols as those stated above.

CONTENTS

MODEL : 3JH5E
PC NO : 0CR10-G74900

Fig.No.	GROUP NAME
3JH5E	
1.	CYLINDER BLOCK
2.	GEAR HOUSING
3.	FLYWHEEL HOUSING
4.	MOUNTING FOOT
5.	LUB.OIL SUMP
6.	LABEL
7.	CYLINDER HEAD
8.	BONNET
9.	SUCTION MANIFOLD
10.	MIXING ELBOW
11.	CAMSHAFT
12.	CRANKSHAFT & FLYWHEEL
13.	PISTON & CONNECTING ROD
14.	LUB.OIL SYSTEM
15.	LUB.OIL PIPE
16.	COOLING SEA WATER PUMP
17.	COOLING FRESH WATER PUMP
18.	COOLING FRESH WATER COOLER
19.	COOLING SEA WATER PIPE
20.	COOLING FRESH WATER PIPE
21.	C.S.W.STRAINER(OPTIONAL)
22.	BILGE PUMP(OPTIONAL)
23.	FUEL INJECTION PUMP
24.	GOVERNOR
25.	FUEL FEED PUMP
26.	FUEL INJECTION VALVE
27.	FUEL INJECTION PIPE
28.	FUEL PIPE & FUEL STRAINER
29.	OIL/WATER SEPARATER

Fig.No.	GROUP NAME
30.	FUEL TANK(OPTIONAL)
31.	CABLE SUPPORT
32.	CLUTCH
33.	COUPLING(OPTIONAL)
34.	STARTING MOTOR
35.	GENERATOR
36.	V-BELT COVER
37.	V-BELT COVER & GENERATOR ATTACHMENT PART(OPTIONAL)
38.	WIRE HARNESS & SENSOR
39.	INSTRUMENT PANEL(B-TYPE/OPTIONAL)
40.	INSTRUMENT PANEL(C-TYPE/OPTIONAL)
41.	INSTRUMENT PANEL(B-TYPE/KEYLES/OPTIONAL)
42.	INSTRUMENT PANEL(C-TYPE/KEYLES/OPTIONAL)
43.	TOOL
44.	GASKET SET(OPTIONAL)

Fig.1. CYLINDER BLOCK

OCR10-G74900 1. CYLINDER BLOCK

(A)=3JH5E

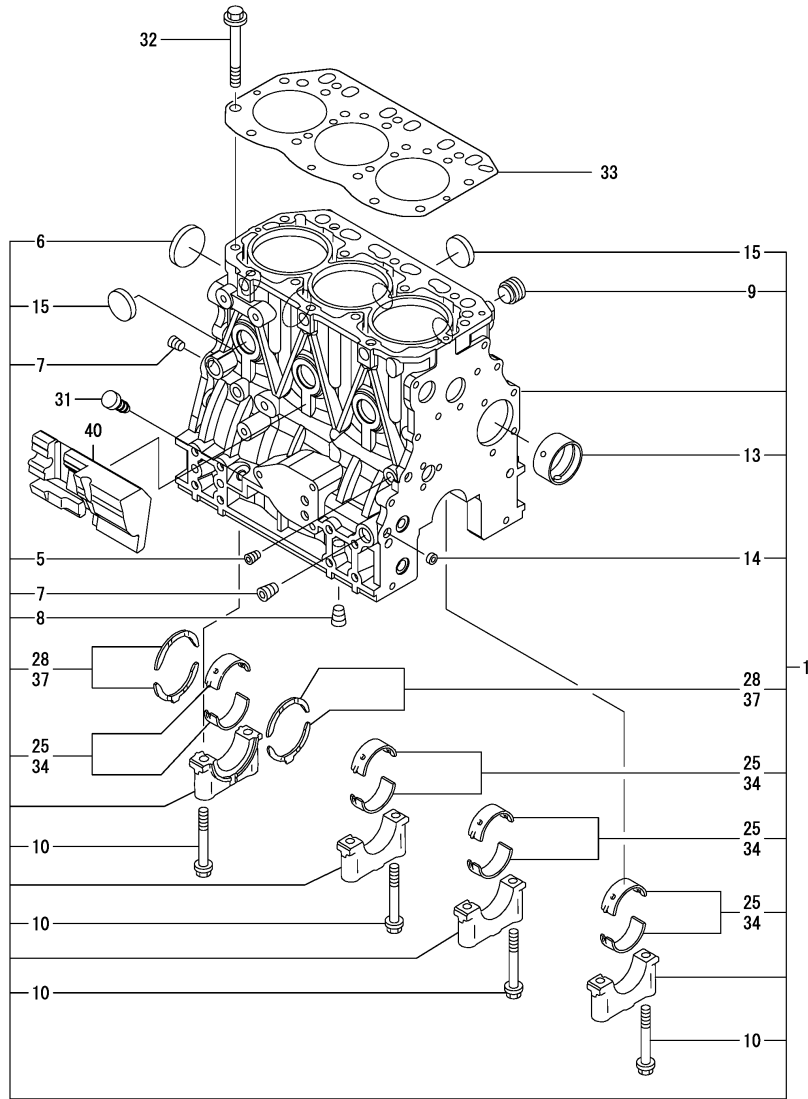
(B)=

(C)=

(D)=

(E)=

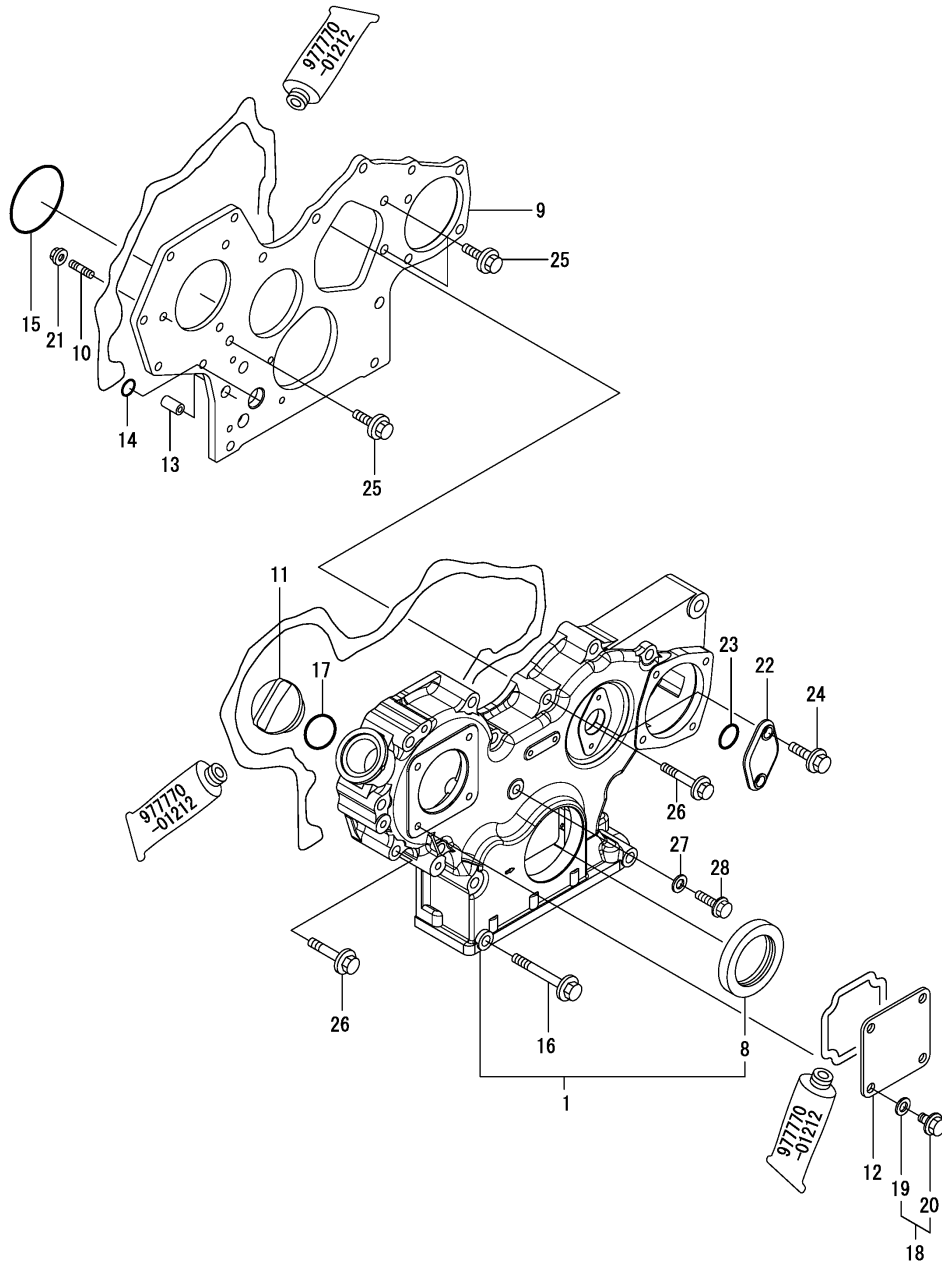
(F)=



REF.	LEV.	PARTS NO.	DESCRIPTION	Q'TY						I	R
				(A)	(B)	(C)	(D)	(E)	(F)		
1	1	729005-01560	BLOCK ASSY, CYLINDER	1							
5	2	124060-01050	PLUG PT1/8	1							
6	2	129001-01250	PLUG 50	1							
7	2	124160-01910	PLUG PT1/4	2							
8	2	124160-01910	PLUG PT1/4	1							
9	2	171051-01921	PLUG	1							
10	2	129150-02020	BOLT, METAL CAP	8							
13	2	129795-02412	BUSH, CAMSHAFT	1							
14	2	27241-120000	PLUG 12	2							
15	2	27241-300000	PLUG 30	6							
25	2	129001-02931	MAIN BEARING SET	5							3
28	2	129150-02931	METAL, THRUST	2							3
31	1	124976-34850	CAP	1							
32	1	129150-01200	STUD, CYL. HEAD	14							
33	1	129001-01340	GASKET, (NON-ASB.)	1							
34	1	129150-02871	MAIN METAL US=0.25	5							1
37	1	129150-02941	METAL, THRUST.25(4PIE	1							2
40	1	129004-01190	SPACER	1							

Remarks
 (1)UNDER SIZED(U.S.=0.25)PART.
 (2)OVER SIZED(O.S.=0.25)PART.
 (3)REPAIR PART.

Fig.2. GEAR HOUSING



(A)=3JH5E
(B)=
(C)=

(D)=
(E)=
(F)=

REF.	LEV.	PARTS NO.	DESCRIPTION	QTY						I	R	
				(A)	(B)	(C)	(D)	(E)	(F)			
1	1	129271-01600	GEAR CASE ASSY	1								
8	2	119934-01800	SEAL, OIL	1								
9	1	129008-01520	FLANGE, GEAR CASE	1								
10	1	119802-01561	STUD, M8X25	3								
11	1	124160-01751	COVER,FILLER	1								
12	1	124240-01871	COVER, HO-P	1								
13	1	129795-01950	PIPE, KNOCK L=18	2								
14	1	119609-32040	O-RING P16	2								
15	1	121850-51960	O-RING, F.I.PUMP	1								
16	1	26106-080852	BOLT, 8 X 85	3								
17	1	24311-000320	O-RING 1A P-32.0	1								
18	1	124550-01590	BOLT M8X16	4								
19	2	22190-080002	SEAL WASHER 8S	4								
20	2	26106-080162	BOLT M 8X 16 PLATED	4								
21	1	26306-080002	NUT	3								
22	1	121023-01551	COVER, BLIND	1								
23	1	24341-000240	O-RING 1A S-24.0	1								
24	1	26106-060162	BOLT M 6X 16 PLATED	2								
25	1	26106-080162	BOLT M 8X 16 PLATED	3								
26	1	26106-080552	BOLT M 8X 55 PLATED	10								
27	1	22190-080002	WASHER, SEAL 8	1								
28	1	26106-080302	BOLT, 8 X 30	1								

Fig.4. MOUNTING FOOT

(A)=3JH5E

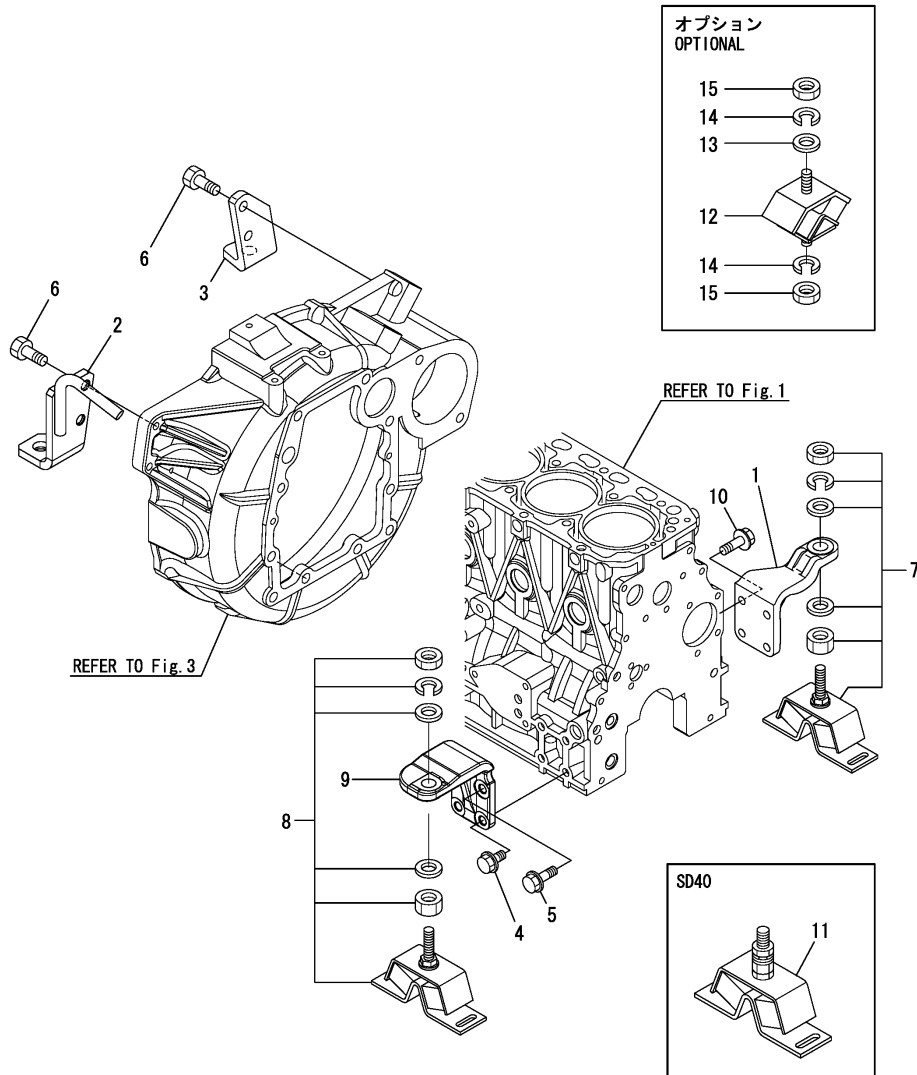
(B)=

(C)=

(D)=

(E)=

(F)=



REF.	LEV.	PARTS NO.	DESCRIPTION	QTY						I	R
				(A)	(B)	(C)	(D)	(E)	(F)		
1	1	129670-08110	MOUNTING FOOT,B	1							
2	1	129271-08120	FOOT, MOUNTING	1							
3	1	129670-08130	MOUNTING FOOT,D	1							
4	1	26106-100222	BOLT M10X 22 PLATED	2							
5	1	26106-100222	BOLT M10X 22 PLATED	2							
6	1	26116-120252	BOLT M12X 25 PLATED	4							
7	1	129670-08340	MOUNTING, FLEX.150	2							
8	1	128377-08350	MOUNTING, FLEX.100	2							
9	1	129271-08100	FOOT, MOUNTING	1							
10	1	26106-100222	BOLT M10X 22 PLATED	4							
11	1	129670-08350	MOUNTING, FLEX.200	2							
12	1	196420-02310	RUBBER, CUSHION 230	1							
13	1	196440-02390	WASHER	1							
14	1	22217-120000	WASHER, 12	2							
15	1	26716-120002	NUT, 12	2							

Fig.5. LUB.OIL SUMP

(A)=3JH5E

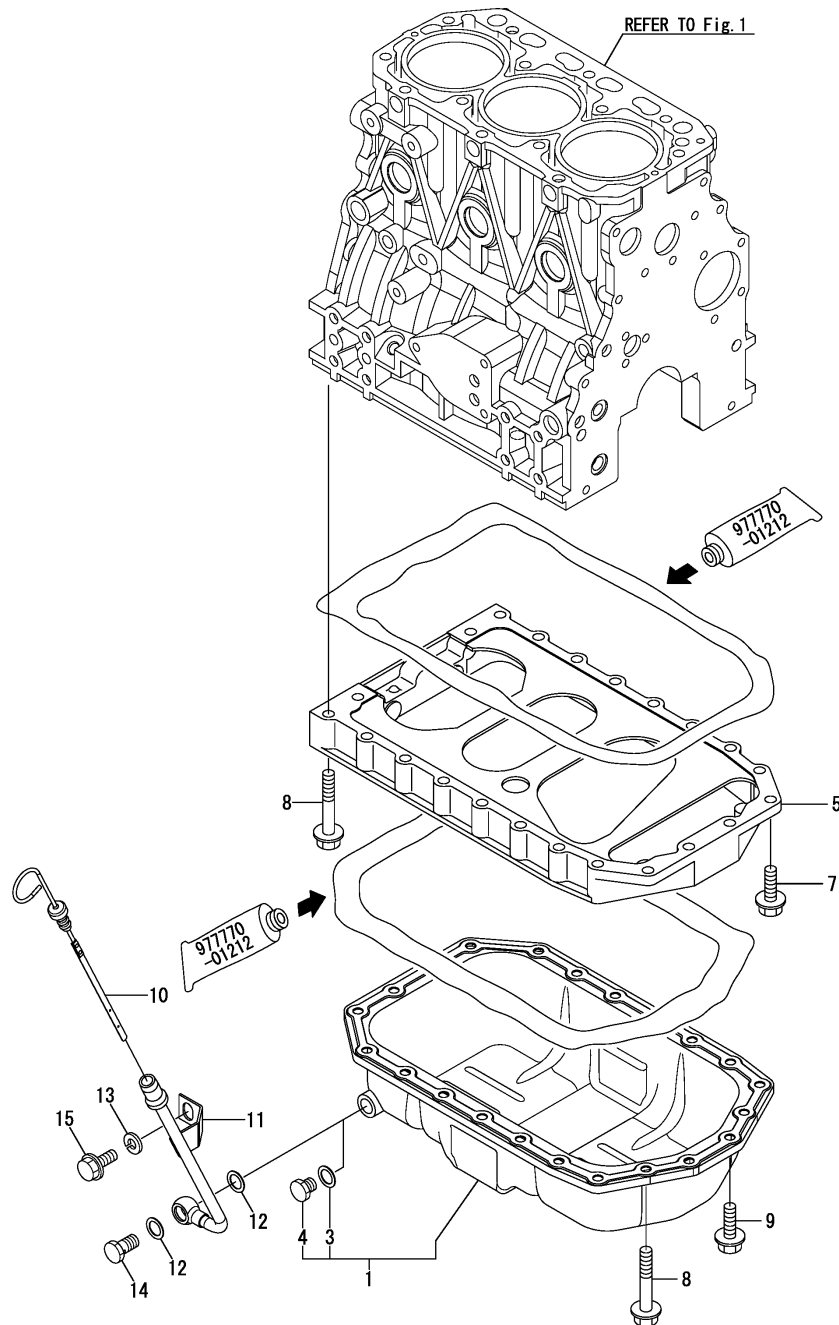
(B)=

(C)=

(D)=

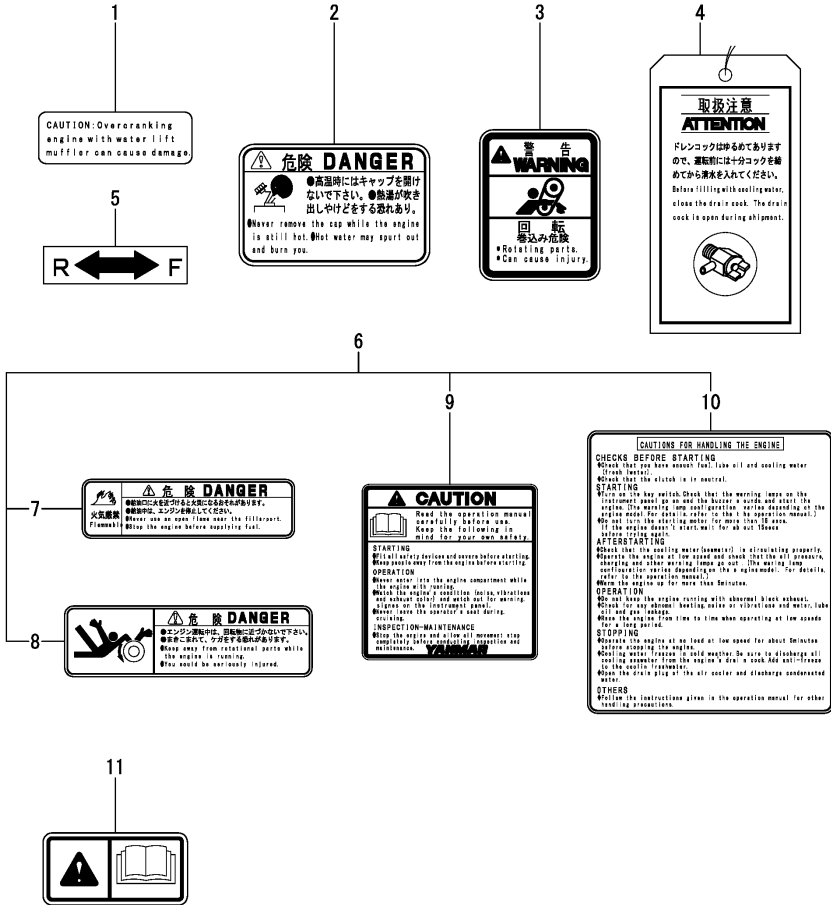
(E)=

(F)=



REF.	LEV.	PARTS NO.	DESCRIPTION	QTY						I	R
				(A)	(B)	(C)	(D)	(E)	(F)		
1	1	129271-01700	SUMP ASSY, LUB.OIL	1							
3	2	23414-140000	GASKET 14, ROUND	1							
4	2	23887-140002	PLUG M14	1							
5	1	129100-01730	SPACER, OIL SUMP	1							
7	1	26106-080252	BOLT M 8X 25 PLATED	2							
8	1	26106-080452	BOLT M 8X 45 PLATED	20							
9	1	26106-080162	BOLT M 8X 16 PLATED	4							
10	1	129271-34850	DIPSTICK, LUB.OIL	1							
11	1	129271-34890	GUIDE ASSY, DIPSTICK	1							
12	1	22190-140002	SEAL WASHER 14S	2							
13	1	22217-100000	SPRING WASHER 10	1							
14	1	23851-080000	JOIT BOLT 8	1							
15	1	26106-100122	BOLT M10X 12 PLATED	1							

Fig.6. LABEL

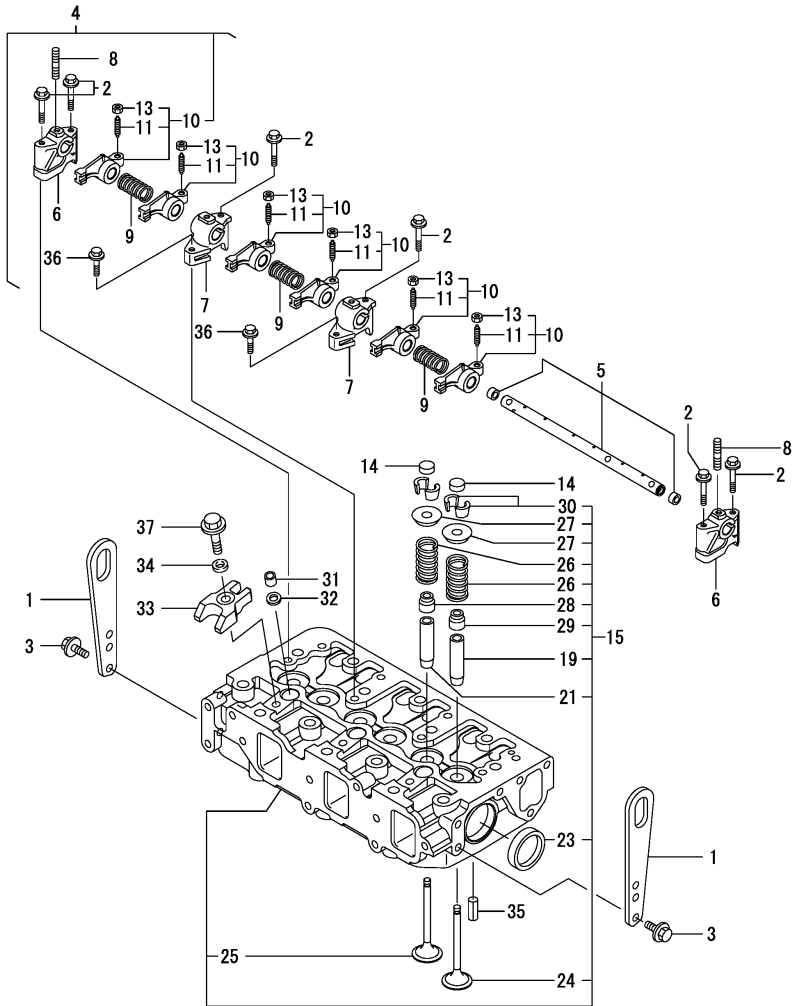


(A)=3JH5E
(B)=
(C)=

(D)=
(E)=
(F)=

REF.	LEV.	PARTS NO.	DESCRIPTION	QTY						I	R
				(A)	(B)	(C)	(D)	(E)	(F)		
1	1	128377-07150	CAUTION LABEL	1							
2	1	128377-07260	LABEL,DANGER	1							
3	1	128377-07350	LABEL,WARNING	1							
4	1	123682-07852	LABEL, CW. TANK	1							
5	1	177088-02430	LABEL	1							
6	1	128377-07190	LABEL,LOOSE PARTS	1							
7	2	128377-07400	LABEL,DANGER	2							
8	2	128377-07420	LABEL,DANGER	1							
9	2	128377-07450	LABEL,CAUTION	1							
10	2	128377-07460	LABEL,CAUTION	1							
11	1	196630-12980	LABEL	1							

Fig.7. CYLINDER HEAD



(A)=3JH5E

(B)=

(C)=

(D)=

(E)=

(F)=

REF.	LEV.	PARTS NO.	DESCRIPTION	QTY						I	R
				(A)	(B)	(C)	(D)	(E)	(F)		
1	1	129900-07900	LIFTER, ENGINE	2							
2	1	26106-080502	BOLT M 8X 50 PLATED	6							
3	1	26106-080162	BOLT M 8X 16 PLATED	4							
4	1	129004-11241	SHAFT ASSY, ROCKER	1							
5	2	129004-11251	SHAFT, ROCKER ARM	1							
6	2	119802-11260	SUPPORT, ROCKER ARM	2							
7	2	119802-11270	SUPPORT, ROCKER ARM	2							
8	2	119802-11280	STUD	3							
9	2	129150-11280	SPRING	3							
10	2	129004-11650	ARM ASSY, ROCKER	6							
11	3	129150-11230	SCREW, VALVE	6							
13	3	129150-11750	NUT M8XP1.0	6							
14	1	129150-11370	CAP, VALVE	6							
15	1	129005-11700	HEAD ASSY, CYLINDER	1							
19	2	120130-11860	GUIDE, VALVE	3							1
21	2	129150-11810	GUIDE, VALVE	3							1
23	2	27241-400000	PLUG 40	2							
24	2	129005-11100	VALVE, INTAKE	3							
25	2	129100-11112	VALVE, EXHAUST	3							
26	2	129795-11120	SPRING, VALVE	6							
27	2	129795-11180	RETAINER, SPRING	6							
28	2	121400-11340	SEAL, VALVE STEM	3							
29	2	124460-11340	SEAL, VALVE STEM	3							
30	2	27310-080000	COTTER 8	6							
31	1	119802-11870	PROTECTOR, NOZZLE	3							
32	1	119625-11880	SEAT, NOZZLE	3							
33	1	129004-11900	RETAINER, NOZZLE	3							
34	1	120270-54410	WASHER	3							
35	1	22351-060012	SPRING PIN 6X12	2							
36	1	26106-080252	BOLT M 8X 25 PLATED	2							
37	1	26106-080352	BOLT M 8X 35 PLATED	3							

Remarks

(1)REPAIR PART.

Fig.8. BONNET

(A)=3JH5E

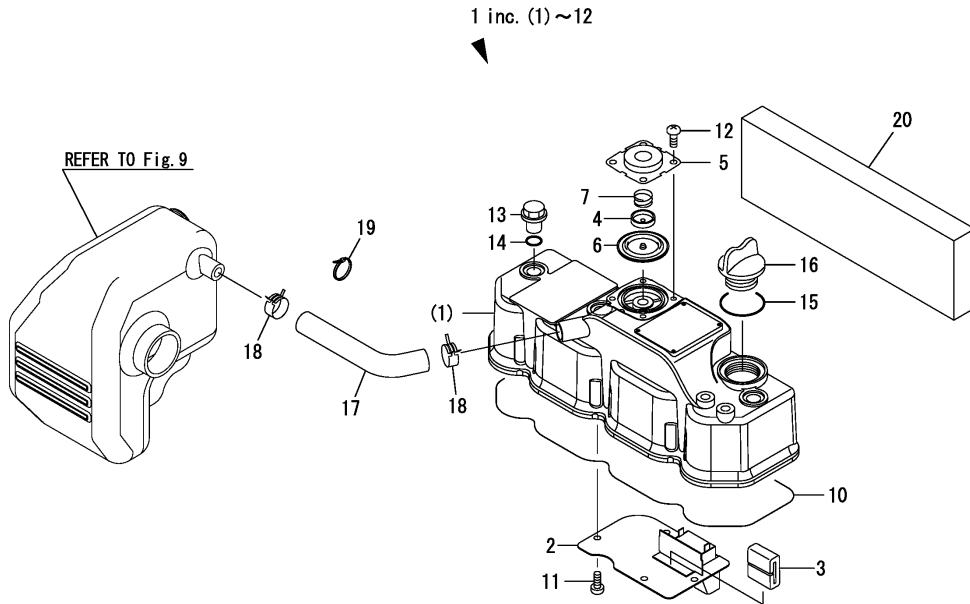
(B)=

(C)=

(D)=

(E)=

(F)=



REF.	LEV.	PARTS NO.	DESCRIPTION	Q'TY						I	R
				(A)	(B)	(C)	(D)	(E)	(F)		
1	1	129004-11350	BONNET ASSY, HEAD	1							
2	2	129004-03010	PLATE, BAFFLE	1							
3	2	129150-03070	BAFFLE, BREATHER	1							
4	2	119802-03110	PLATE, DIAPHRAGM	1							
5	2	119802-03121	COVER, DIAPHRAGM	1							
6	2	119802-03130	DIAPHRAGM	1							
7	2	119802-03141	SPRING, DIAPHRAGM	1							
10	2	129004-11310	GASKET, BONNET	1							
11	2	22857-500100	SCREW 5X10,TAPPING	4							
12	2	22857-500100	SCREW 5X10,TAPPING	4							
13	1	124160-11360	KNOB	3							
14	1	24311-000120	O-RING 1A P 12.0	3							
15	1	24311-000320	O-RING 1A P-32.0	1							
16	1	124160-01751	COVER,FILLER	1							
17	1	129271-03090	PIPE, BREATHER	1							
18	1	129410-03990	CLAMP 22	2							
19	1	121750-59890	CLAMP 140	1							
20	1	129271-11900	NOISE ABSORBER	1							

Fig.9. SUCTION MANIFOLD

(A)=3JH5E

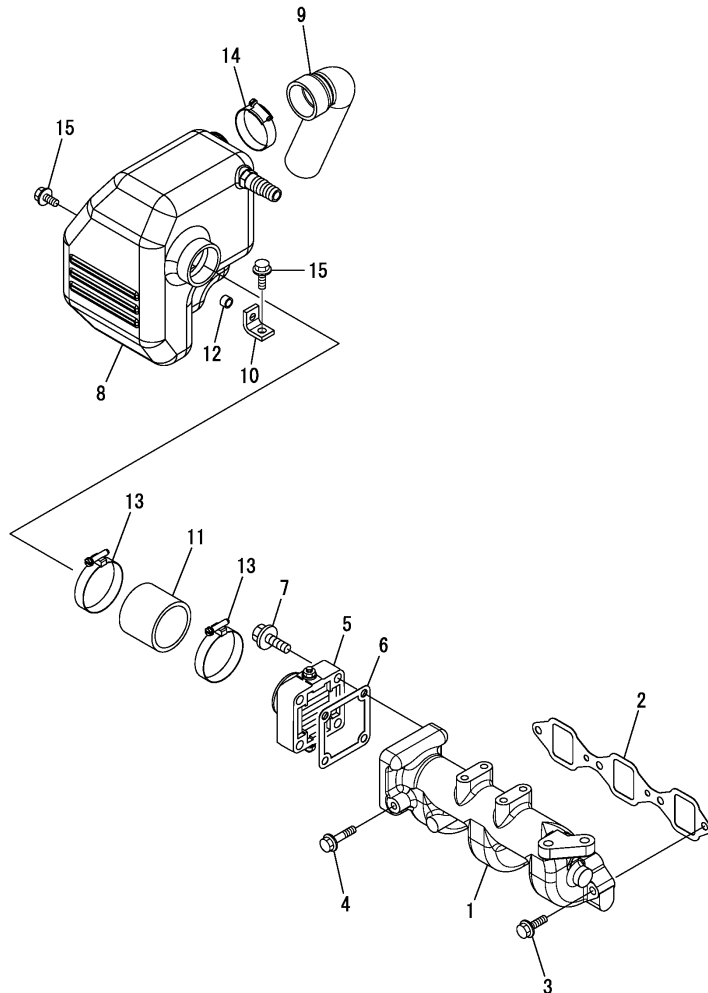
(B)=

(C)=

(D)=

(E)=

(F)=

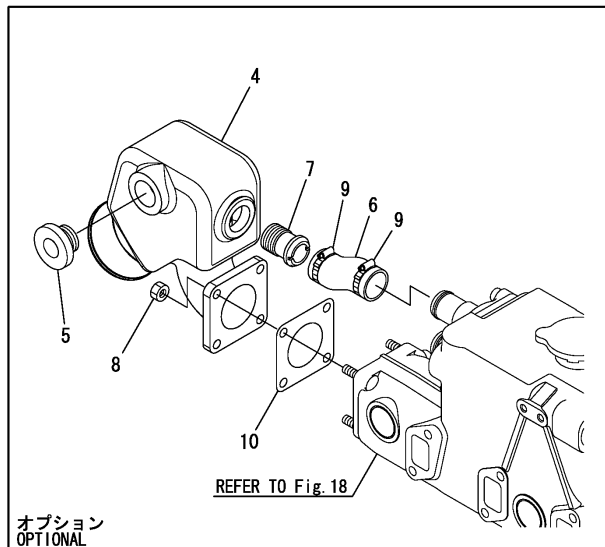
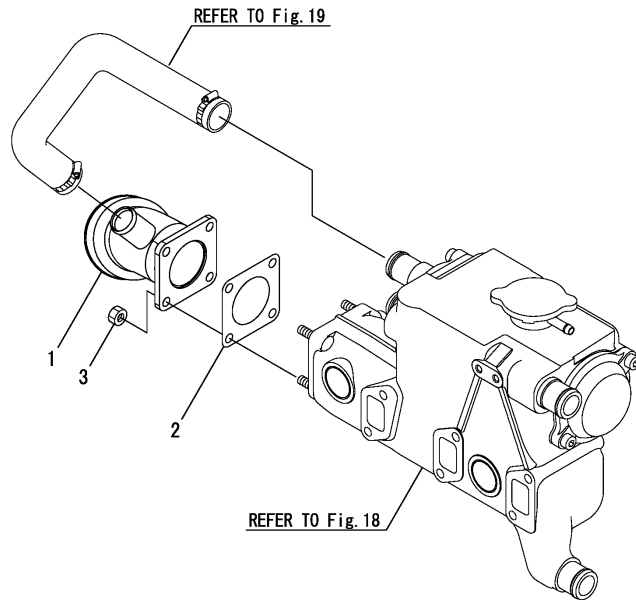


REF.	LEV.	PARTS NO.	DESCRIPTION	Q'TY						I	R
				(A)	(B)	(C)	(D)	(E)	(F)		
1	1	129271-12100	MANIFOLD, INTAKE	1							
2	1	129150-12111	GASKET, INT MANIFOLD	1							
3	1	26106-080252	BOLT, 8 X 25	3							
4	1	26106-080352	BOLT, 8 X 35	1							
5	1	129120-77502	HEATER, AIR	1							
6	1	129150-77511	GASKET, (NON-ASB.)	1							
7	1	26106-080352	BOLT M 8X 35 PLATED	4							
8	1	129271-12311	SILENCER,SUC AIR	1							
9	1	129670-12350	PIPE,INTAKE SILENCER	1							
10	1	129271-12410	BRACKET,SILENCER	1							
11	1	129271-12810	PIPE,SUC AIR	1							
12	1	128990-77430	COLLAR	1							
13	1	23000-060000	CLAMP 60	2							
14	1	23000-048000	CLAMP 48	1							
15	1	26106-080162	BOLT M 8X 16 PLATED	2							

Fig.10. MIXING ELBOW

(A)=3JH5E
(B)=
(C)=

(D)=
(E)=
(F)=



REF.	LEV.	PARTS NO.	DESCRIPTION	Q'TY						I	R
				(A)	(B)	(C)	(D)	(E)	(F)		
1	1	129670-13561	ELBOW, WATER MIXING	1							
2	1	129472-18090	GASKET	1							
3	1	26703-080002	NUT M 8	4							
4	1	129470-13541	ELBOW, WATER MIXING	1							
5	1	129472-13560	PLUG PT3/4	1							
6	1	129670-49280	CSW PIPE	1							
7	1	123325-49421	JOINT, PIPE	1							
8	1	26703-080002	NUT M 8	4							
9	1	129670-49500	HOSE CLIP 38	2							
10	1	129472-18090	GASKET	1							

Fig.11. CAMSHAFT

(A)=3JH5E

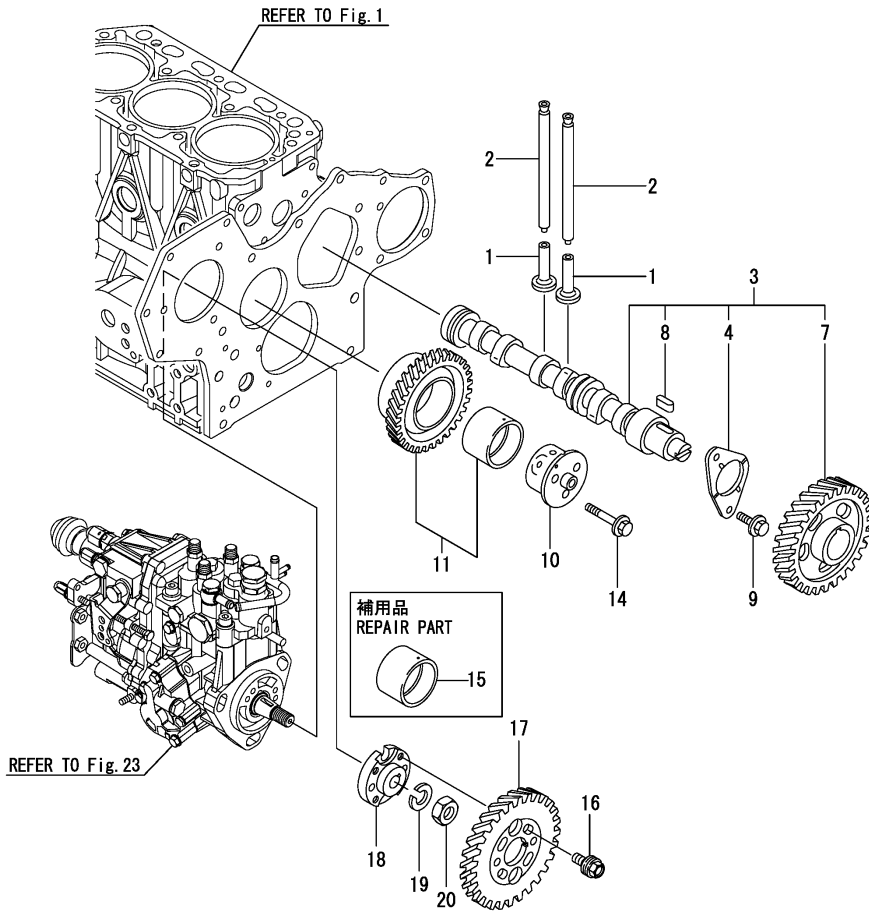
(B)=

(C)=

(D)=

(E)=

(F)=



REF.	LEV.	PARTS NO.	DESCRIPTION	Q'TY						I	R
				(A)	(B)	(C)	(D)	(E)	(F)		
1	1	129150-14200	TAPPET	6							
2	1	129150-14400	ROD, PUSH	6							
3	1	129129-14580	CAMSHAFT ASSY	1							
4	2	129150-02450	METAL, THRUST(CAM	1							
7	2	129150-14101	GEAR, CAMSHAFT	1							
8	2	22512-070140	KEY 7X 14	1							
9	1	26106-080142	BOLT 8X 14 PLATED	2							
10	1	119803-25050	SHAFT, IDLE GEAR	1							
11	1	119802-25101	GEAR ASSY, IDLE	1							
14	1	26106-080402	BOLT M 8X 40 PLATED	3							
15	1	119802-25071	BUSH, IDLE GEAR	1							
16	1	129150-25301	BOLT, INJECTION PUMP	4							
17	1	119802-25901	GEAR, FUEL PUMP	1							
18	1	158552-51151	FLANGE	1							
19	1	22217-140000	SPRING WASHER 14	1							
20	1	26776-140002	LOCK NUT M14 PLATED	1							

Fig.12. CRANKSHAFT & FLYWHEEL

(A)=3JH5E

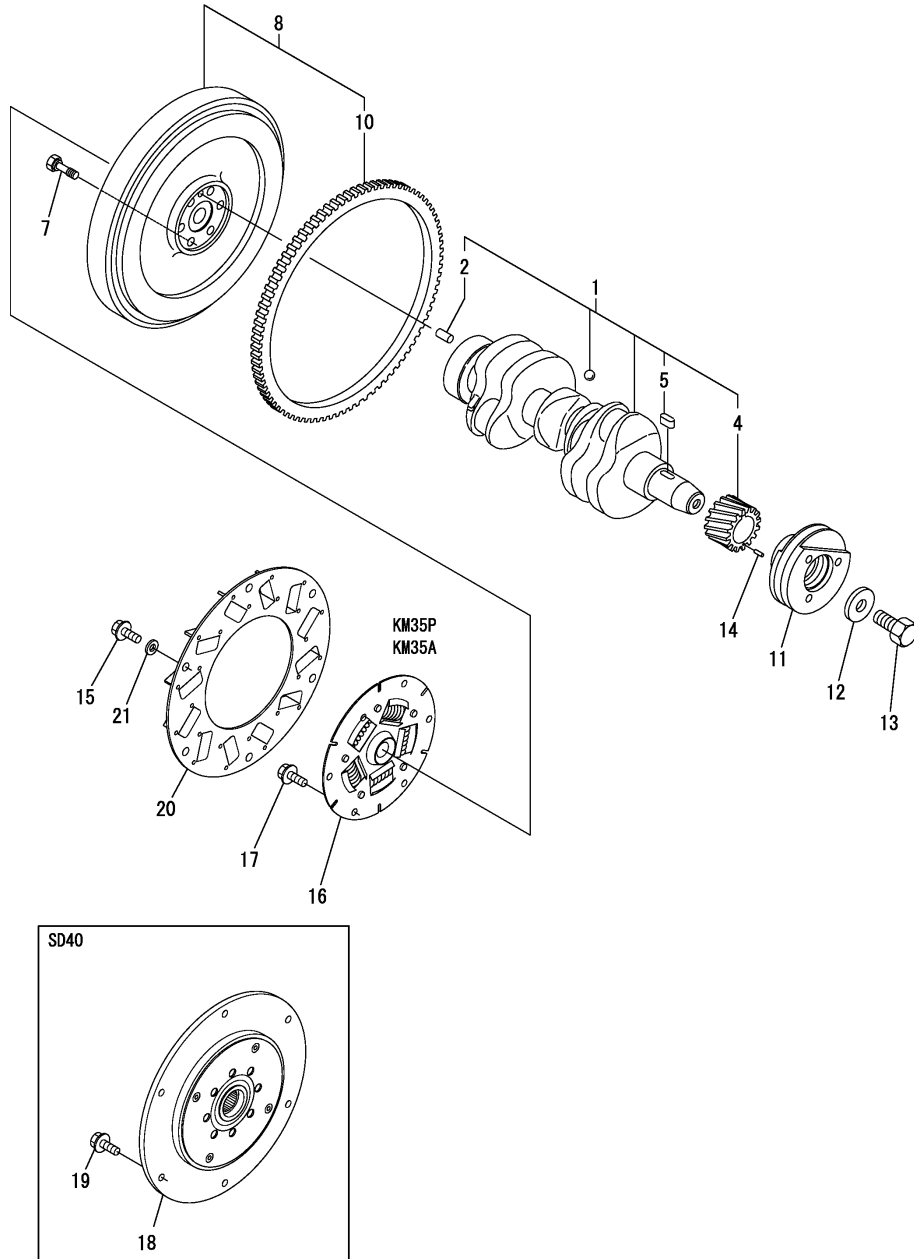
(B)=

(C)=

(D)=

(E)=

(F)=



REF.	LEV.	PARTS NO.	DESCRIPTION	QTY						I	R
				(A)	(B)	(C)	(D)	(E)	(F)		
1	1	129008-21000	CRANKSHAFT ASSY	1							
2	2	129100-01580	PARALLEL PIN 8X16	1							
4	2	119803-21200	GEAR, CRANKSHAFT	1							
5	2	22512-070140	KEY 7X 14	1							
7	1	121111-21501	BOLT, FLYWHEEL	6							
8	1	129270-21591	FLYWHEEL ASSY	1							
10	2	119865-21600	GEAR, RING	1							
11	1	129005-21650	V-PULLEY, CRANKSHAFT	1							
12	1	129795-21661	WASHER	1							
13	1	121850-21680	BOLT, V-PULLEY	1							
14	1	22351-030010	SPRING PIN 3X10	1							
15	1	26106-080162	BOLT M 8X 16 PLATED	6							
16	1	177070-03520	DISC, DAMPER	1							
17	1	26106-080162	BOLT M 8X 16 PLATED	6							
18	1	196440-04310	TORFLEX250(SP10)	1							
19	1	26106-080202	BOLT, 8 X 20	6							
20	1	129670-81850	FAN (FLYWHEEL	1							
21	1	22217-080000	SPRING WASHER 8	6							

Fig.13. PISTON & CONNECTING ROD

(A)=3JH5E

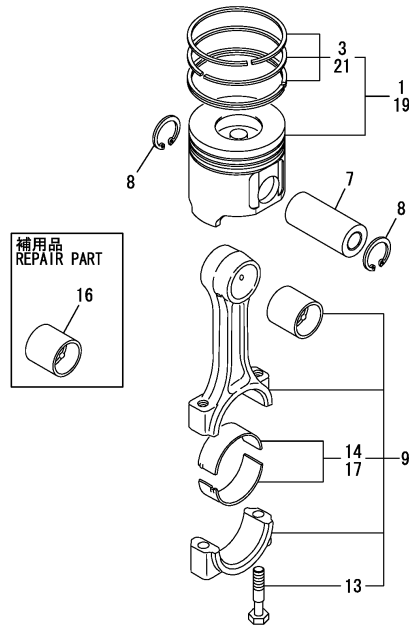
(B)=

(C)=

(D)=

(E)=

(F)=

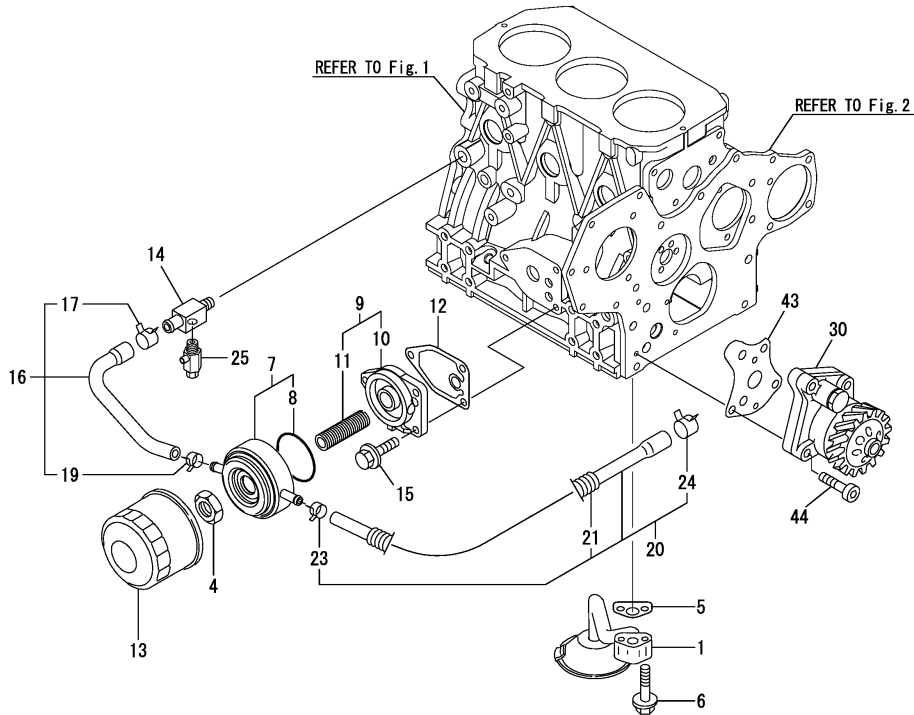


REF.	LEV.	PARTS NO.	DESCRIPTION	Q'TY						I	R
				(A)	(B)	(C)	(D)	(E)	(F)		
1	1	129005-22080	PISTON ASSY	3							
3	2	129005-22500	RING SET, PISTON	3							
7	1	129202-22300	PIN, PISTON(D26,L70)	3							
8	1	22252-000260	CIRCLIP 26	6							
9	1	729402-23100	ROD ASSY, CONNECTING	3							
13	2	121550-23200	BOLT, CONNECTING ROD	6							
14	2	129150-23601	BEARING ASSY, CRANK	3							
16	1	129100-23910	BUSH, PISTON PIN	3							1
17	1	129150-23610	METAL.PIN US=0.25	3							2
19	1	129005-22900	PISTON W/RING OS=.25	3							3
21	2	129005-22950	RING SET O.S=0.25	3							3

Remarks

- (1)REPAIR PART.
- (2)UNDER-SIZE(U.S=0.25)PART.
- (3)OVER-SIZE(O.S=0.25)PART.

Fig.14. LUB.OIL SYSTEM



(A)=3JH5E

(B)=

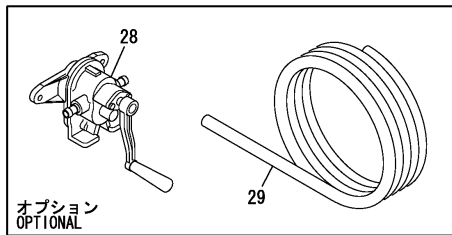
(C)=

(D)=

(E)=

(F)=

REF.	LEV.	PARTS NO.	DESCRIPTION	QTY						I	R
				(A)	(B)	(C)	(D)	(E)	(F)		
1	1	129150-35091	PIPE ASSY, OIL INLET	1							
4	1	129417-33110	NUT OIL COOLER	1							
5	1	129150-35042	GASKET, (NON-ASB.)	1							
6	1	26106-080352	BOLT M 8X 35 PLATED	2							
7	1	129508-33010	COOLER ASSY, OIL	1							
8	2	129508-33050	O-RING	1							
9	1	129006-35100	BRACKET ASSY, FILTER	1							
10	2	119802-35110	BRACKET, FILTER	1							
11	2	129417-35150	STUD	1							
12	1	129150-35111	GASKET, (NON-ASB.)	1							
13	1	119305-35151	FILTER ASSY, LUB.OIL	1							1
14	1	129006-44480	JOINT	1							
15	1	26106-080202	BOLT M 8X 20 PLATED	3							
16	1	129508-49030	PIPE,COOLER IN	1							
17	2	171008-03990	CLAMP 18.5	1							
19	2	23080-015000	CLAMP	1							
20	1	129508-49040	PIPE,COOLER OUT	1							
21	2	119940-59130	PROTECTOR, PIPE 19	1							
23	2	23080-015000	CLAMP	1							
24	2	171008-03990	CLIP, HOSE 18.5	1							
25	1	119620-49290	COCK ASSY 1/4	1							
28	1	124413-39100	PUMP, OIL SUMP	1							
29	1	129670-39990	HOSE,OIL DRAIN 3M	1							
30	1	129001-32001	PUMP ASSY, LUB.OIL	1							
43	1	129150-32020	GASKET, PUMP	1							
44	1	26450-060252	BOLT, 6 X 25	4							

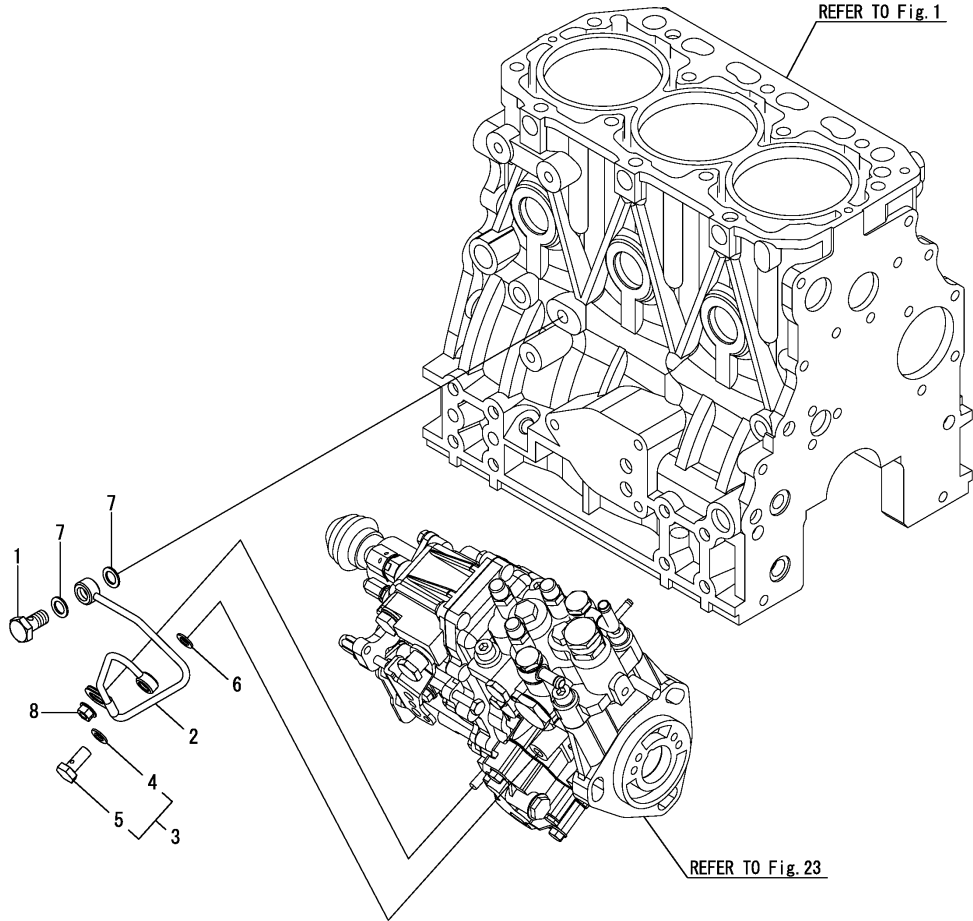


Remarks
(1) REPAIR PART.

Fig.15. LUB.OIL PIPE

(A)=3JH5E
(B)=
(C)=

(D)=
(E)=
(F)=



REF.	LEV.	PARTS NO.	DESCRIPTION	QTY						I	R	
				(A)	(B)	(C)	(D)	(E)	(F)			
1	1	124160-39140	BOLT 10, PIPE JOINT	1								
2	1	119802-39450	PIPE ASSY, LUB. OIL	1								
3	1	129005-59830	BOLT ASSY, JOINT	1								
4	2	22190-080002	SEAL WASHER 8S	1								
5	2	23857-030000	JOINT BOLT 3	1								
6	1	22190-080002	SEAL WASHER 8S	1								
7	1	22190-100002	SEAL WASHER 10S	2								
8	1	26366-060002	NUT M 6	1								

Fig.16. COOLING SEA WATER PUMP

(A)=3JH5E

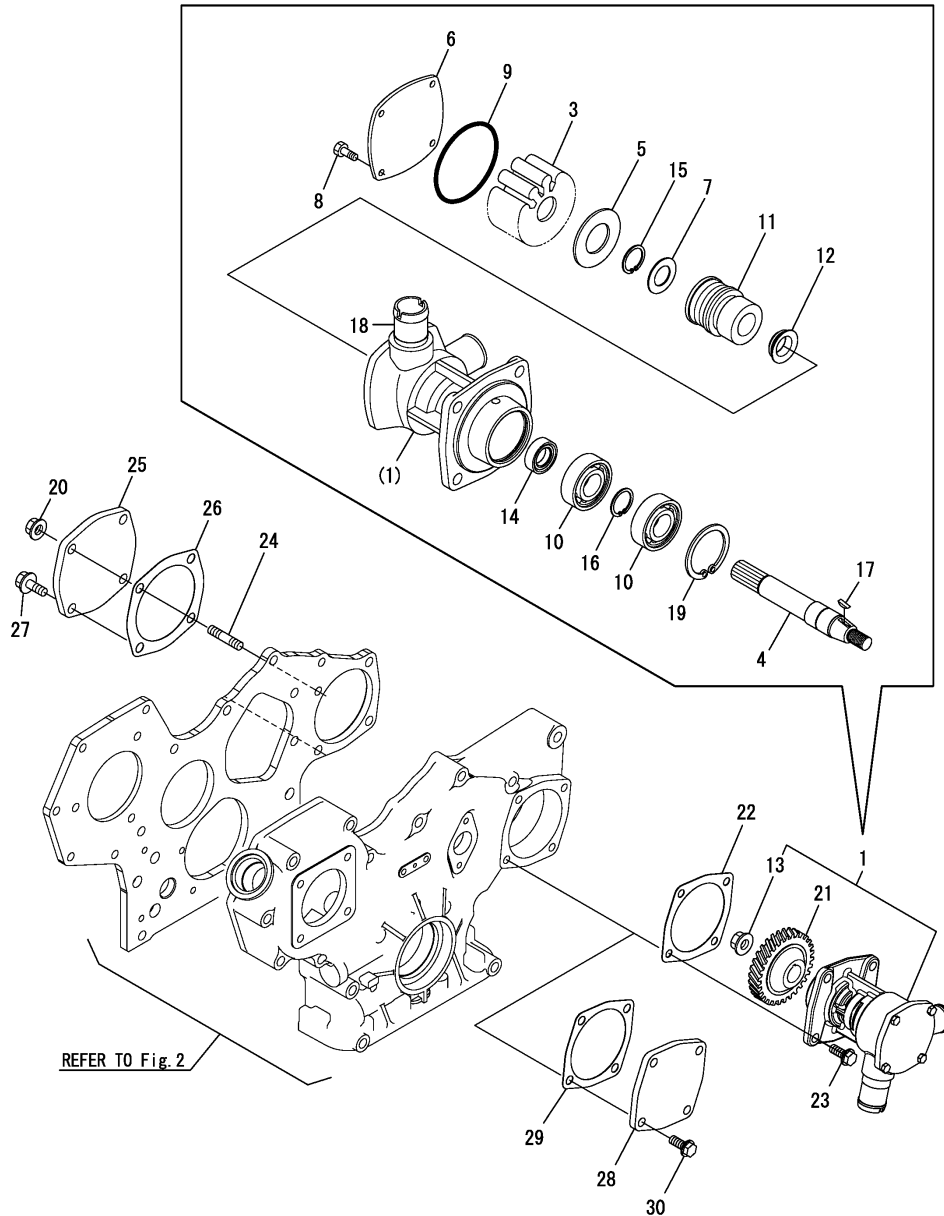
(B)=

(C)=

(D)=

(E)=

(F)=



REF.	LEV.	PARTS NO.	DESCRIPTION	QTY						I	R
				(A)	(B)	(C)	(D)	(E)	(F)		
1	1	129271-42501	PUMP ASSY, SEA WATER	1							
3	2	129670-42531	IMPELLER	1							
4	2	X0146531	SHAFT	1							
5	2	129670-42540	PLATE	1							
6	2	129670-42520	COVER	1							
7	2	129670-42550	WASHAER	1							
8	2	129271-42510	SCREW	4							
9	2	119773-42570	O-RING	1							
10	2	X03431483	BEARING	2							
11	2	129670-42560	MECHANICAL SHEEL	1							
12	2	X02230015	V-RING	1							
13	2	X00190001	LOCKNUT	1							
14	2	X02233001	LIP SEAL	1							
15	2	129670-42570	CIRCLIP	1							
16	2	X00370017	CIRCLIP	1							
17	2	129670-42580	KEY	1							
18	2	123325-49421	JOINT, PIPE	1							
19	2	X00371040	CIRCLIP	1							
20	1	26306-080002	NUT	1							
21	1	129271-42700	GEAR, PUMP	1							
22	1	129150-01881	GASKET, (NON ASB.)	1							
23	1	26106-080202	BOLT M 8X 20 PLATED	4							
24	1	121450-01560	STUD M 8X 22	1							
25	1	124240-01871	COVER, HO-P	1							
26	1	129150-01881	GASKET, (NON ASB.)	1							
27	1	26106-080252	BOLT M 8X 25 PLATED	3							
28	1	124240-01871	COVER, HO-P	1							
29	1	129150-01881	GASKET, (NON ASB.)	1							
30	1	26106-080162	BOLT M 8X 16 PLATED	4							

Fig.17. COOLING FRESH WATER PUMP

(A)=3JH5E

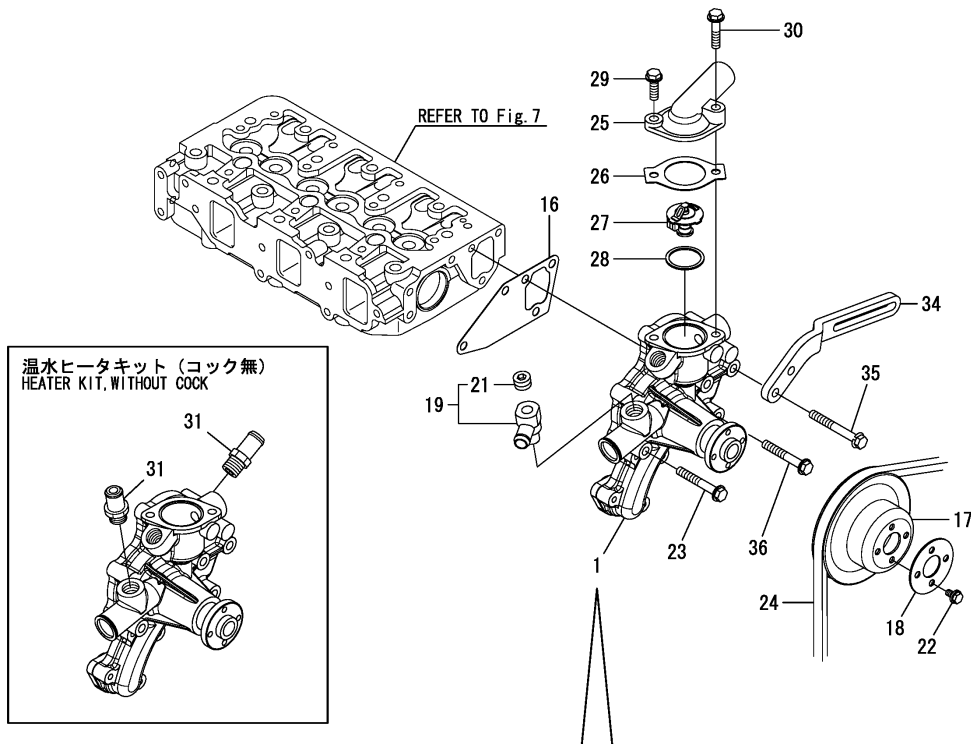
(B)=

(C)=

(D)=

(E)=

(F)=



REF.	LEV.	PARTS NO.	DESCRIPTION	QTY						I	R
				(A)	(B)	(C)	(D)	(E)	(F)		
1	1	129271-42001	PUMP ASSY, C.F.WATER	1							
2	2	129150-42059	PACKING	1							
3	2	129263-42120	PLATE	1							
4	2	129150-42301	FLAGNE, C. W. PUMP	1							
5	2	24358-240310	O-RING 5 24031	1							
6	2	129054-42320	O-RING	1							
7	2	129916-49740	PLUG, DRAIN R03	2							
8	2	26106-060202	BOLT M 6X 20 PLATED	2							
9	2	26116-060162	BOLT 6X16	3							
10	2	26577-060142	SCREW M 6X 14	3							
16	1	129486-42050	GASKET	1							
17	1	129550-42350	V-PULLEY(D=120)	1							
18	1	129156-44760	WASHER	1							
19	1	129270-49400	JOINT	1							
21	2	23875-030000	PLUG PT3/8,STEEL	1							
22	1	26106-060102	BOLT 6X 10 PLATED	4							
23	1	26106-080552	BOLT M 8X 55 PLATED	2							
24	1	25152-004300	V-BELT A43	1							
25	1	129470-49540	COVER, THERMOSTAT	1							
26	1	129795-49551	GASKET, (NON-ASB.)	1							
27	1	129470-49801	THERMOSTAT	1							
28	1	129470-49810	GASKET, (NON-ASB.)	1							
29	1	26106-080252	BOLT M 8X 25 PLATED	1							
30	1	26106-080352	BOLT M 8X 35 PLATED	1							
31	1	128990-49320	JOINT 3/8 OUT	2							
32	1	128990-49320	JOINT 3/8 OUT	2							
33	1	129670-49390	COCK CMP,R3/8XRP3/8	2							
34	1	129495-77330	ADJUSTER, BELT	1							
35	1	26013-080652	BOLT M 8X 65	1							
36	1	26106-080552	BOLT M 8X 55 PLATED	1							

Fig.18. COOLING FRESH WATER COOLER

(A)=3JH5E

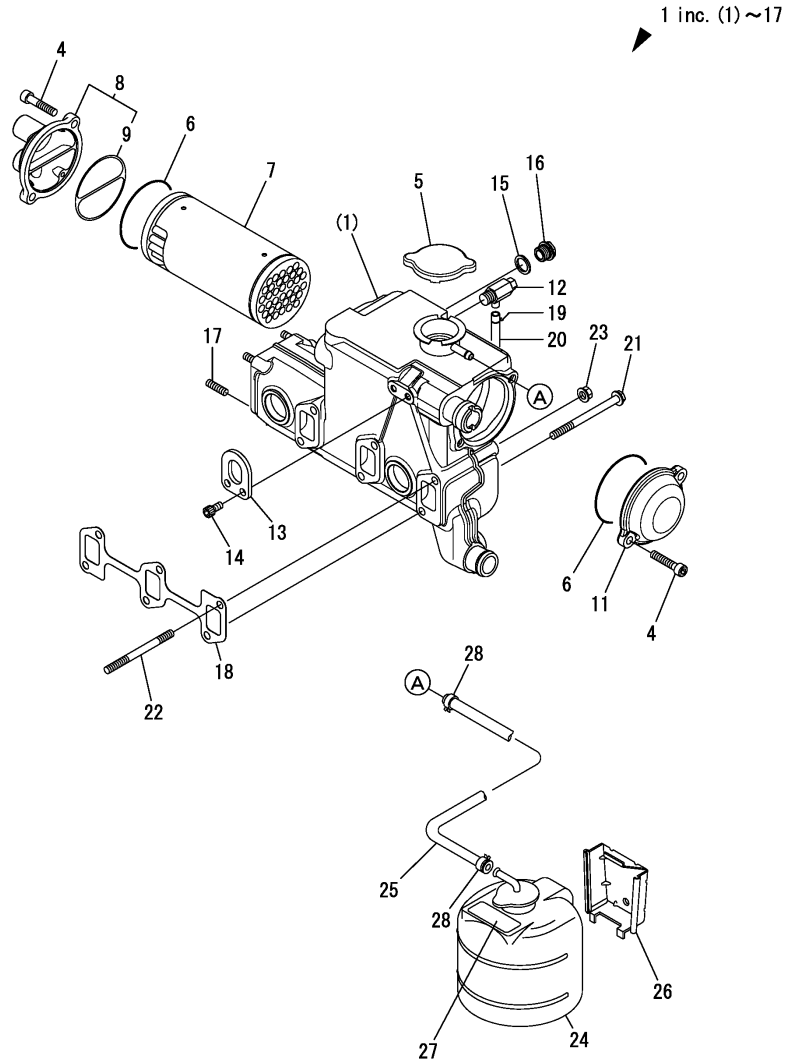
(B)=

(C)=

(D)=

(E)=

(F)=



REF.	LEV.	PARTS NO.	DESCRIPTION	QTY						I	R
				(A)	(B)	(C)	(D)	(E)	(F)		
1	1	129270-44910	COOLER ASSY, WATER	1							
4	2	129673-44090	SCREW,M8X40	4							
5	2	129673-44131	CAP,FILLER	1							
6	2	129670-44150	O-RING, 74.5X3	2							
7	2	129270-44410	CORE ASSY, COOLER	1							
8	2	129670-44430	COVER CMP,COOLER A	1							
9	3	120322-33050	GASKET	1							
11	2	129670-44450	COVER, COOLER B	1							
12	2	119620-49290	COCK ASSY 1/4	1							
13	2	129670-07230	LIFTER, ENGINE	1							
14	2	26450-080162	BOLT, 8 X 16	2							
15	2	23414-170000	GASKET 17, ROUND	1							
16	2	23894-030002	PLUG G3/8,HEX.	1							
17	2	129670-13600	STUD BOLT M8X20	4							
18	1	129150-13110	GASKET, EXH.MANIFOLD	1							
19	1	124460-77680	RETAINER	1							
20	1	23061-070300	PIPE 7X 300	1							
21	1	26106-081002	BOLT M 8X100 PLATED	4							
22	1	129693-44300	STUD, COOLER	2							
23	1	26306-080002	NUT	2							
24	1	128397-44500	TANK ASSY, RESERVE	1							
25	1	129270-44501	PIPE,OVER FLOW	1							
26	1	128397-44510	BRACKET, SUB-TANK	1							
27	1	129670-44570	LABEL	1							
28	1	23010-013000	CLAMP 13	2							

Fig.19. COOLING SEA WATER PIPE

(A)=3JH5E

(B)=

(C)=

(D)=

(E)=

(F)=

REF.	LEV.	PARTS NO.	DESCRIPTION	QTY						I	R
				(A)	(B)	(C)	(D)	(E)	(F)		
1	1	129670-49150	PIPE,CSW(D)	1							
2	1	129670-49500	HOSE CLIP 38	2							
3	1	129670-49500	HOSE CLIP 38	2							
4	1	129490-49070	JOINT	1							
5	1	129171-49900	JOINT, RUBBER	1							
6	1	43530-500570	JOINT	1							
7	1	43662-025031	VALVE,KINGSTON 25A	1							
8	1	129670-49500	HOSE CLIP 38	2							
9	1	129671-49110	RETAINER	1							
10	1	129271-49210	PIPE,CSW S-DRIVE	1							
11	1	129670-49500	HOSE CLIP 38	2							
12	1	129271-49040	PIPE, COOLING WATER	1							
13	1	129271-49110	RETAINER, PIPE	1							
14	1	129671-49120	RETAINER	1							
15	1	26106-080122	BOLT M 8X 12 PLATED	1							
16	1	26106-080162	BOLT M 8X 16 PLATED	1							

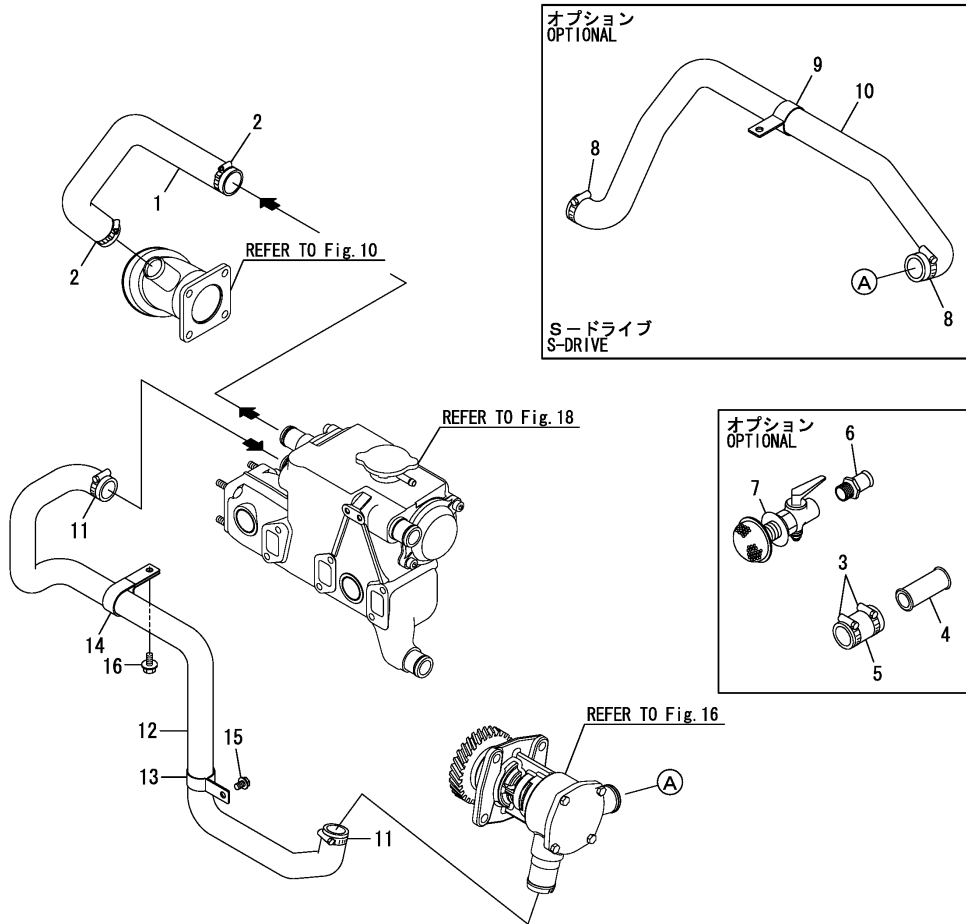


Fig.20. COOLING FRESH WATER PIPE

(A)=3JH5E
(B)=
(C)=

(D)=
(E)=
(F)=

REF.	LEV.	PARTS NO.	DESCRIPTION	Q'TY						I	R
				(A)	(B)	(C)	(D)	(E)	(F)		
1	1	129270-49210	PIPE, WATER C	1							
2	1	129271-49220	PIPE, COOLING WATER	1							
3	1	129670-49500	CLIP, HOSE 38	4							

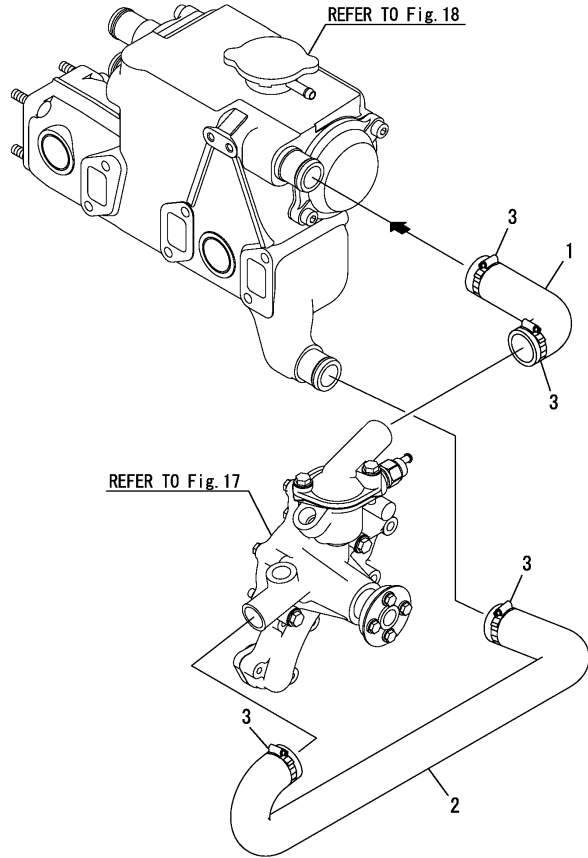
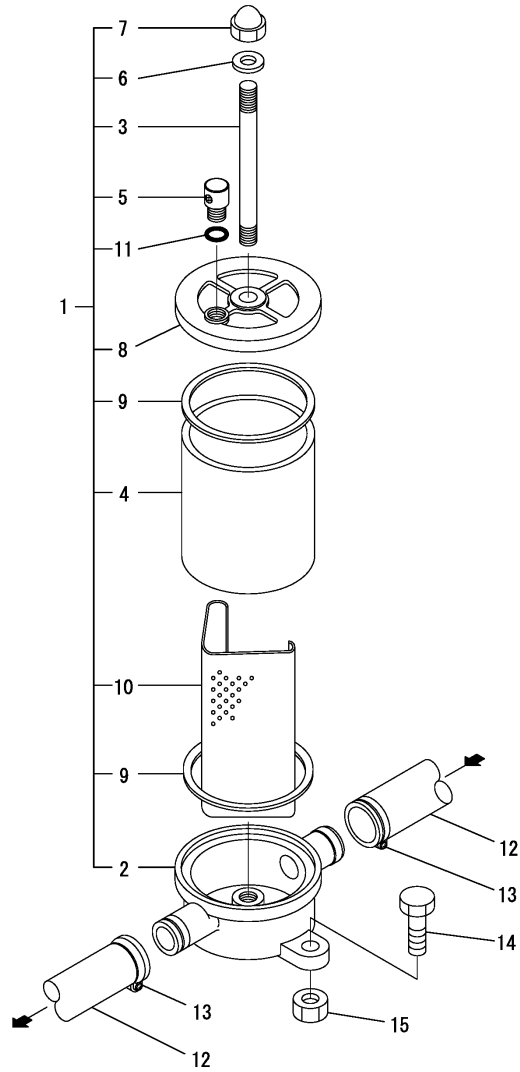


Fig.21. C.S.W.STRAINER(OPTIONAL)

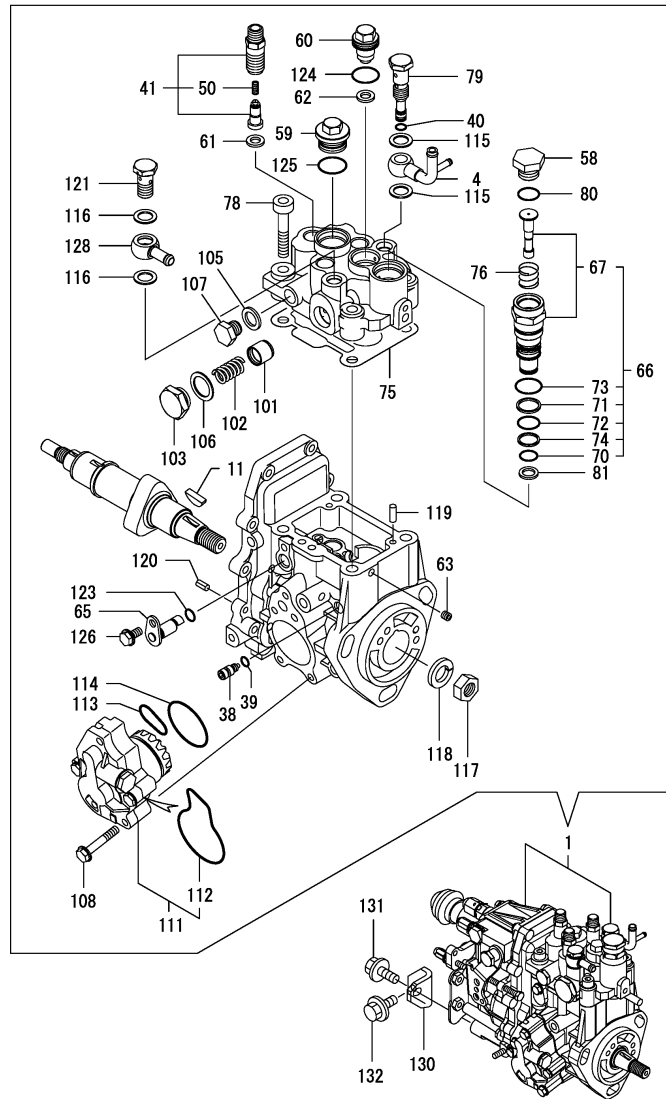
(A)=3JH5E
(B)=
(C)=

(D)=
(E)=
(F)=



REF.	LEV.	PARTS NO.	DESCRIPTION	Q'TY						I	R
				(A)	(B)	(C)	(D)	(E)	(F)		
1	1	129795-48800	STRAINER	1							
2	2	XTST25S001	BODY	1							
3	2	XTST25S002	BOLT M 8X125	1							
4	2	XTST25S003	PIPE, OUTER	1							
5	2	XTST25S004	PLUG M 8	1							
6	2	XTST25S005	PACKING	1							
7	2	26664-080002	CAP NUT M 8	1							
8	2	XTST25S007	COVER	1							
9	2	XTST25S008	PACKING	2							
10	2	XTST25S009	FILTER	1							
11	2	24311-000060	O-RING 1A P-6.0	1							
12	1	23072-101000	HOSE (25/33X1000)	1							
13	1	129670-49500	HOSE CLIP 38	2							
14	1	26116-080302	BOLT 8X30	2							
15	1	26703-080002	NUT M 8	2							

Fig.23. FUEL INJECTION PUMP



(A)=3JH5E

(B)=

(C)=

(D)=

(E)=

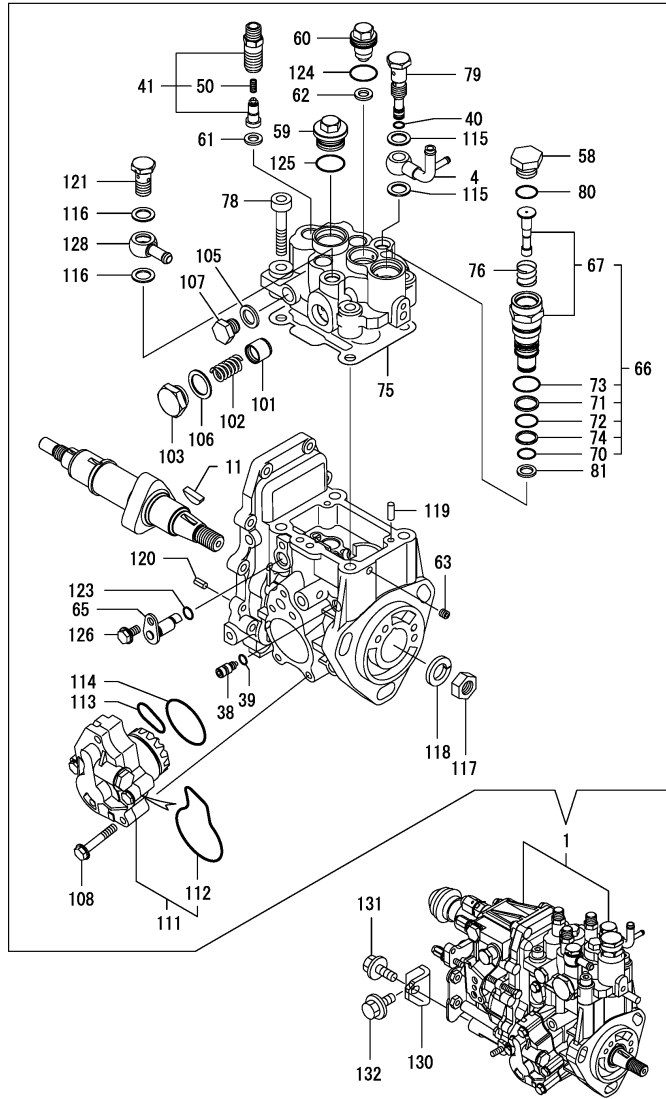
(F)=

REF.	LEV.	PARTS NO.	DESCRIPTION	Q'TY						I	R
				(A)	(B)	(C)	(D)	(E)	(F)		
1	1	729271-51300	INJECTION PUMP ASSY	1							1
4	2	158552-51670	JOINT, OVER FLOW	1							
11	2	119802-51090	KEY, WOODRUFF 4X16	1							
38	2	158600-51270	STOPPER, TAPPET	1							
39	2	158563-51281	O-RING	1							
40	2	158563-51281	O-RING	1							
41	2	129009-51390	SET, DELIVERY	3							
50	3	158563-51330	SPRING, DELIVERY	3							
58	2	129670-51600	PLUG,TIMER	1							
59	2	158601-51550	PLUG	1							
60	2	119802-51560	PLUG, BARREL	1							
61	2	158552-51571	PK(BARREL PLUG	3							
62	2	158552-51571	PK(BARREL PLUG	1							
63	2	158557-51570	PLUG	1							
65	2	158552-51580	LIFTER	1							
66	2	119802-51590	TIMER SET	1							
67	3	119802-51600	TIMER CMP	1							
70	3	158553-51670	O-RING, 1011	1							
71	3	119802-51680	BACKUP RING	1							
72	3	119802-51690	O RING	1							
73	3	24356-010200	PACKING, 1020	1							
74	3	24372-000150	RING, BACKUP T2 P 15	1							
75	2	158552-51600	PACKING, HEAD	1							
76	2	158553-51630	SPRING, TIMER	1							
78	2	26450-080452	BOLT M 8X 45	4							
79	2	158601-51650	JOINT, OVER FLOW	1							
80	2	158553-51660	O-RING,P14	1							
81	2	158553-51680	PACKING,TIMER	1							
101	2	158601-51770	PISTON	1							
102	2	158552-51781	SPRING, ACTUATOR	1							
103	2	158601-51790	PLUG	1							
105	2	22190-120002	SEAL WASHER 12	1							
106	2	22190-180002	WASHER, 18	1							
107	2	23887-120002	PLUG M12,HEX.	1							
108	2	158553-51770	BOLT	4							
111	2	158552-52100	PUMP ASSY, FUEL FEED	1							
112	3	158552-52500	O-RING, PUMP	1							
113	2	158552-52310	O-RING, PUMP	1							
114	2	158552-52400	O-RING 4E S42	1							
115	2	22190-120002	SEAL WASHER 12	2							
116	2	22190-120002	SEAL WASHER 12	2							
117	2	26776-140002	LOCK NUT M14 PLATED	1							
118	2	22217-140000	SPRING WASHER 14	1							
119	2	22312-050140	PARALLEL PIN 5X14	2							
120	2	22351-050010	SPRING PIN 5X10	2							
121	2	23857-060000	JOINT BOLT 6,PIPE	1							
123	2	24311-000070	O-RING 1A P-7.0	1							
124	2	24356-010180	O-RING	1							
125	2	24356-010200	PACKING, 1020	1							
126	2	26106-060102	BOLT 6X 10 PLATED	1							
128	2	129916-59020	JOINT, 12	1							

Remarks

(1)GOVERNOR ASSY(FIG.24)IS
INCORPORATED IN THIS
FUEL INJECTION PUMP(REF.NO.1)

Fig.23. FUEL INJECTION PUMP



(A)=3JH5E
(B)=
(C)=

(D)=
(E)=
(F)=

REF.	LEV.	PARTS NO.	DESCRIPTION	Q'TY						I	R
				(A)	(B)	(C)	(D)	(E)	(F)		
130	1	119802-51250	RETAINER, PUMP	1							
131	1	26106-080162	BOLT M 8X 16 PLATED	1							
132	1	26106-080202	BOLT M 8X 20 PLATED	1							

Remarks
(1)GOVERNOR ASSY(FIG.24)IS
INCORPORATED IN THIS
FUEL INJECTION PUMP(REF.NO.1)

Fig.24. GOVERNOR

(A)=3JH5E

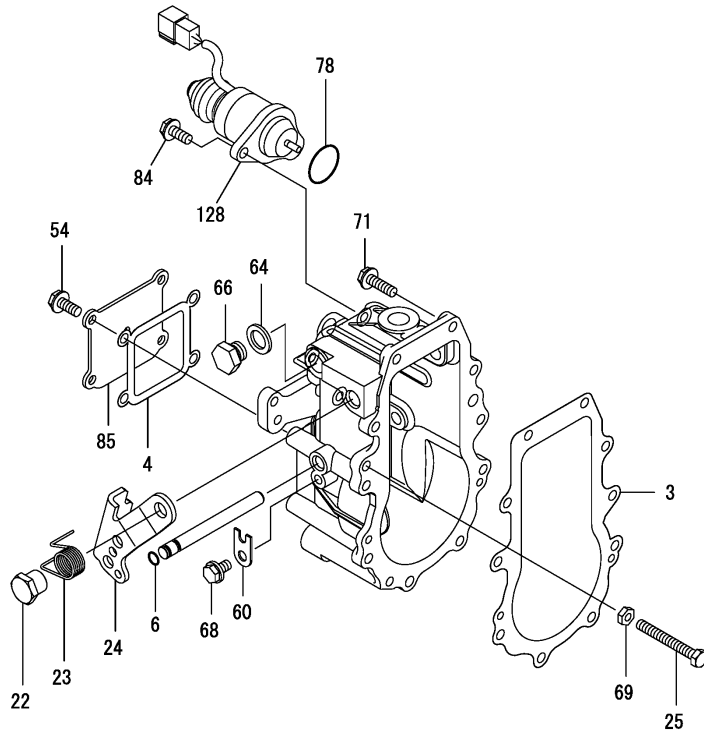
(B)=

(C)=

(D)=

(E)=

(F)=



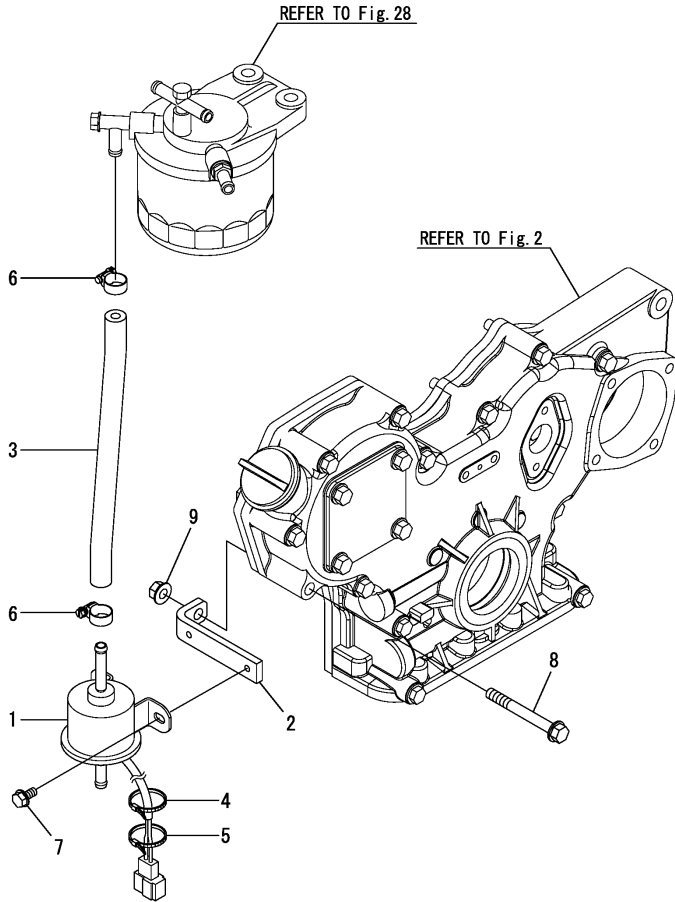
REF.	LEV.	PARTS NO.	DESCRIPTION	Q'TY						I	R
				(A)	(B)	(C)	(D)	(E)	(F)		
3	2	158553-61050	PACKING, CASE	1							
4	2	158553-61070	PACKING, COVER	1							
6	2	129155-51280	O-RING, S6	1							
22	2	129255-61410	NUT	1							
23	2	119807-61420	SPRING, RETURN	1							
24	2	158552-61441	LEVER, REGULATOR	1							
25	2	129155-61460	BOLT, IDLE	1							
54	2	26106-060142	BOLT M 6X 14 PLATED	4							
60	2	119660-61901	RETAINER, SHAFT	1							
64	2	22190-120002	SEAL WASHER 12	1							
66	2	23887-120002	PLUG M12,HEX.	1							
68	2	26106-060102	BOLT 6X 10 PLATED	1							
69	2	26756-060002	LOCK NUT 6	1							
71	2	26106-060202	BOLT M 6X 20 PLATED	10							
78	2	158552-61900	O-RING	1							
84	2	26106-060142	BOLT M 6X 14 PLATED	2							
85	2	129642-61060	COVER, GOVERNOR CASE	1							
128	2	129271-77950	SOLENOID, STOP	1							

Fig.25. FUEL FEED PUMP

OCR10-G74900 25. FUEL FEED PUMP

(A)=3JH5E
(B)=
(C)=

(D)=
(E)=
(F)=

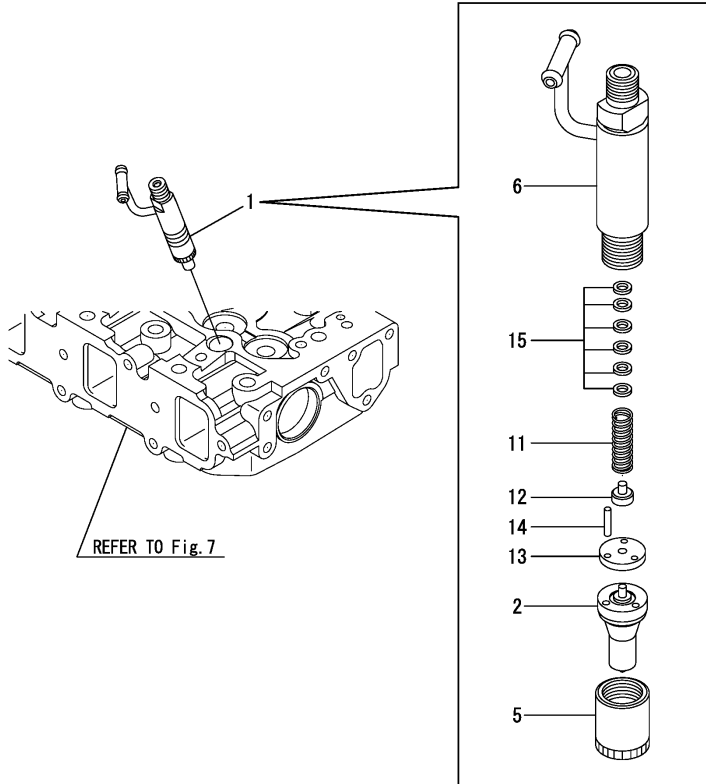


REF.	LEV.	PARTS NO.	DESCRIPTION	Q'TY						I	R
				(A)	(B)	(C)	(D)	(E)	(F)		
1	1	119225-52102	PUMP ASSY, FUEL FEED	1							
2	1	129670-55010	BRACKET, FEED PUMP	1							
3	1	129670-59110	PIPE, FUEL OIL	1							
4	1	121750-59890	CLAMP 140	1							
5	1	121750-59890	CLAMP 140	1							
6	1	23000-013000	CLAMP 13	2							
7	1	26106-060122	BOLT M 6X 12 PLATED	2							
8	1	26106-080702	BOLT M 8X 70 PLATED	1							
9	1	26306-080002	NUT	1							

Fig.26. FUEL INJECTION VALVE

(A)=3JH5E
(B)=
(C)=

(D)=
(E)=
(F)=

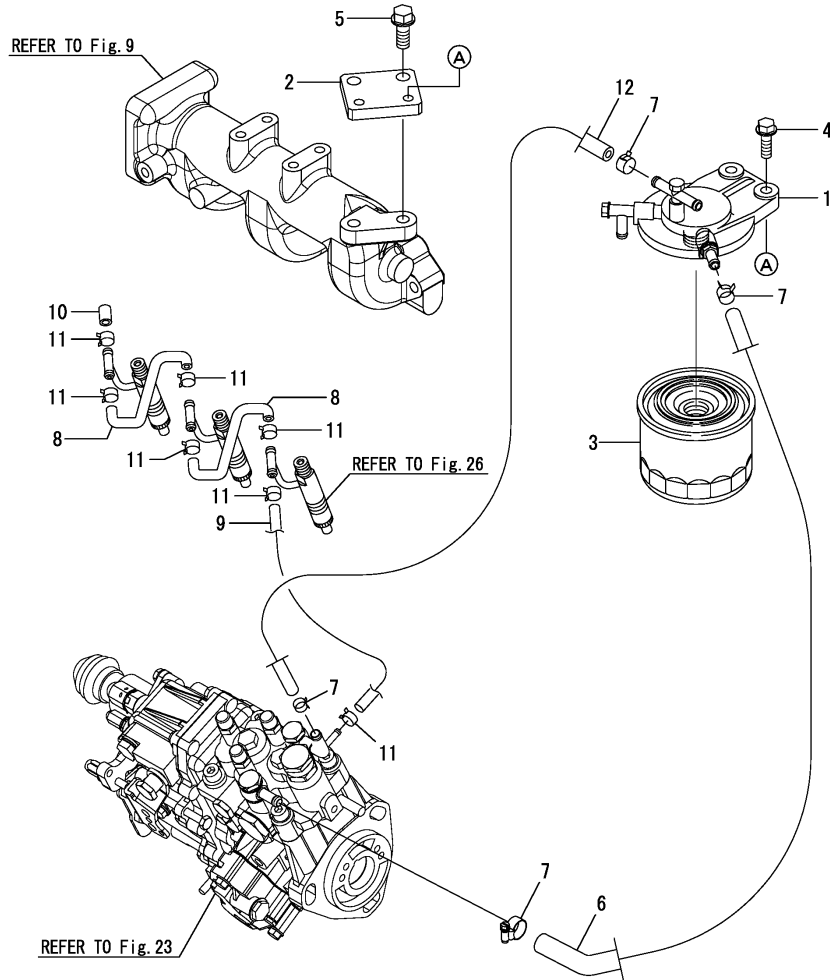


REF.	LEV.	PARTS NO.	DESCRIPTION	Q'TY						I	R
				(A)	(B)	(C)	(D)	(E)	(F)		
1	1	729271-53100	FUEL INJECTOR(RDL	3							
2	2	129008-53000	NOZZLE ASSY	3							
5	2	114250-53080	NUT,NOZZLE	3							
6	2	119802-53100	HOLDER ASSY, NOZZLE	3							
11	2	114250-53120	SPRING,NOZZLE	3							
12	2	114250-53130	SEAT,SPRING	3							
13	2	114250-53140	SPACER,VALVE STOP	3							
14	2	114250-53210	PIN	6							
15	2	119803-53400	SHIM SET	3							

Fig.28. FUEL PIPE & FUEL STRAINER

(A)=3JH5E
(B)=
(C)=

(D)=
(E)=
(F)=

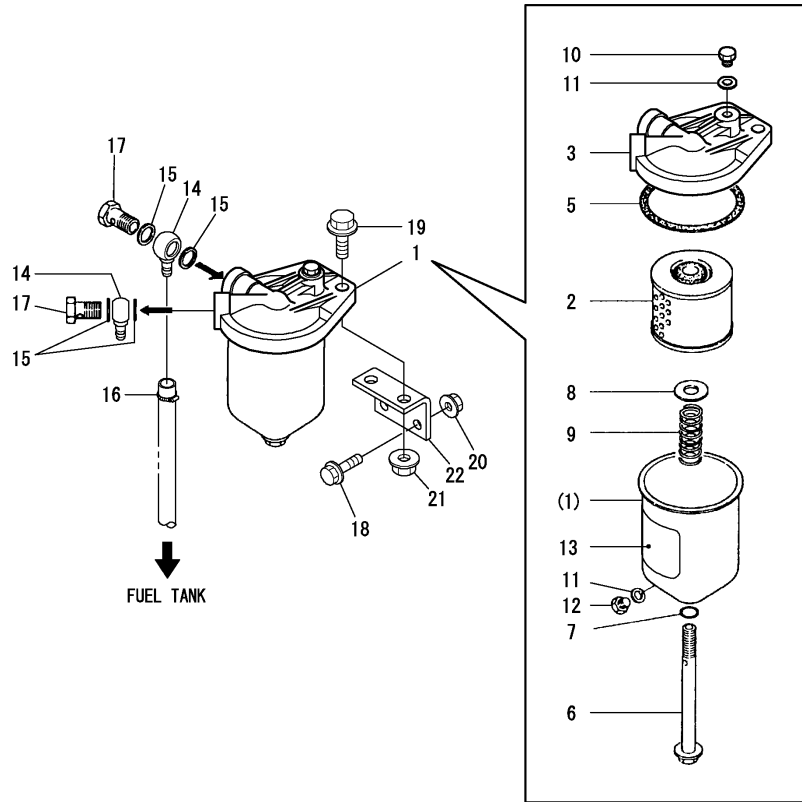


REF.	LEV.	PARTS NO.	DESCRIPTION	QTY						I	R
				(A)	(B)	(C)	(D)	(E)	(F)		
1	1	129004-55612	BRACKET, FILTER	1							
2	1	129271-55670	BRACKET,FO FILTER	1							
3	1	119802-55801	FILTER, FUEL	1							
4	1	26106-080252	BOLT M 8X 25 PLATED	2							
5	1	26106-100252	BOLT M10X 25 PLATED	2							
6	1	129670-59150	PIPE, FUEL OIL	1							
7	1	23000-016000	CLAMP 16	4							
8	1	129270-59550	PIPE,FUEL OIL	3							
9	1	129470-59562	PIPE, FUEL OIL	1							
10	1	129270-59580	CAP	1							
11	1	23000-013000	CLAMP 13	9							
12	1	129670-59140	PIPE, FUEL OIL	1							

Fig.29. OIL/WATER SEPARATER

(A)=3JH5E
(B)=
(C)=

(D)=
(E)=
(F)=



REF.	LEV.	PARTS NO.	DESCRIPTION	Q'TY						I	R
				(A)	(B)	(C)	(D)	(E)	(F)		
1	1	120324-55751	SEPARATOR ASSY	1							
2	2	120324-55760	ELEMENT,FUEL OIL	1							
3	2	X2740134002	COVER ASSY	1							
5	2	X0582810173	GASKET	1							
6	2	X0311121522	CENTER BOLT	1							
7	2	X0580121073	O-RING 1A P 12.0	1							
8	2	X0300120414	SPRING SEAT	1							
9	2	X0600160122	SPRING	1							
10	2	X0314080110	PLUG	1							
11	2	X0588080273	GASKET	2							
12	2	X0313080922	BOLT	1							
13	2	X0993071171	CAUTION MARK	1							
14	1	121750-59910	JOINT 14, PIPE	2							
15	1	22190-140002	SEAL WASHER 14S	4							
16	1	23000-013000	CLAMP 13	2							
17	1	23857-080000	JOINT BOLT 8,PIPE	2							
18	1	26106-080302	BOLT M 8X 30 PLATED	2							
19	1	26106-100302	BOLT M10X 30 PLATED	2							
20	1	26306-080002	NUT	2							
21	1	26306-100002	NUT	2							
22	1	129670-55810	BRACKET, SEPARATOR	1							

Fig.31. CABLE SUPPORT

(A)=3JH5E

(B)=

(C)=

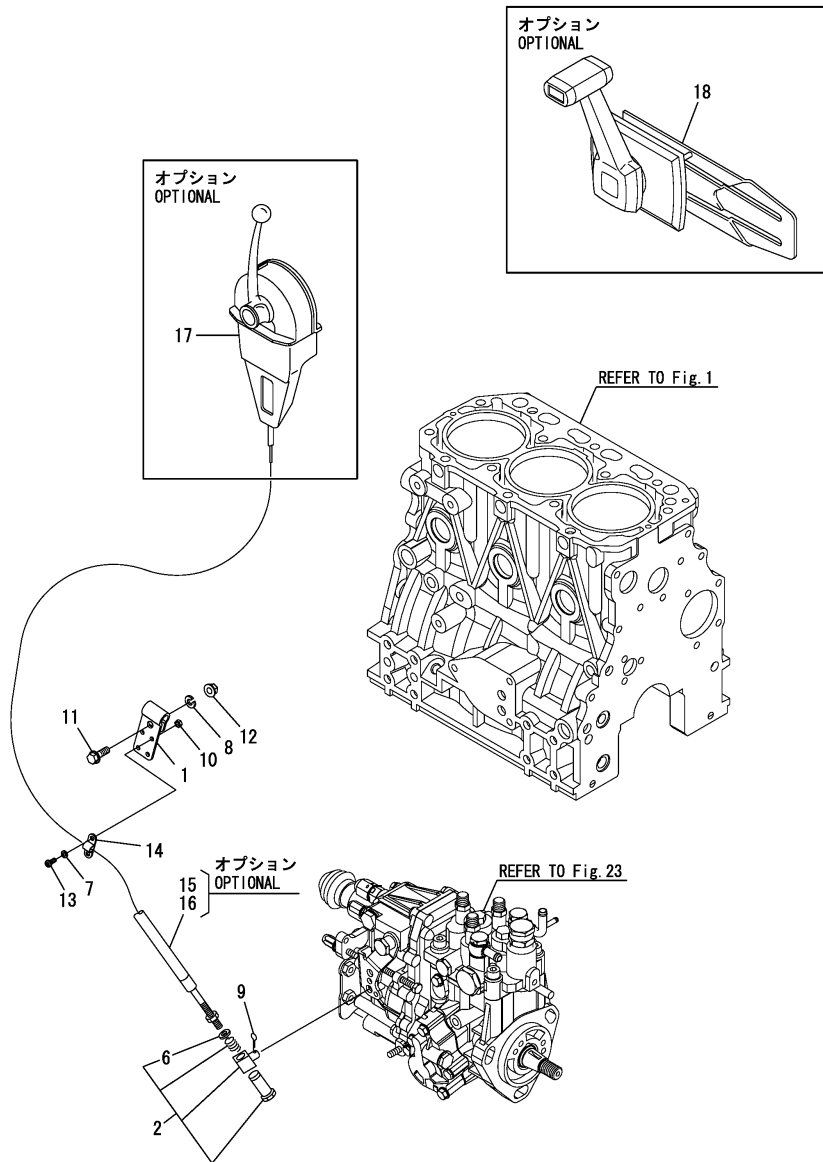
(D)=

(E)=

(F)=

Q'TY

REF.	LEV.	PARTS NO.	DESCRIPTION	Q'TY						I	R
				(A)	(B)	(C)	(D)	(E)	(F)		
1	1	129670-67110	BRACKET	1							
2	1	129470-67200	RETAINER, JOINT	1							
6	2	22242-000100	CIRCLIP 10	1							
7	1	22217-050000	SPRING WASHER 5	2							
8	1	22217-080000	SPRING WASHER 8	2							
9	1	22414-250150	COTTER PIN 2.5X15	1							
10	1	26716-050002	NUT M 5	2							
11	1	26106-080252	BOLT M 8X 25 PLATED	1							
12	1	26306-080002	NUT	1							
13	1	26557-050122	SCREW M 5X 12	2							
14	1	41710-000410	CLAMP	1							
15	1	41710-000380	CABLE L=4000	2							1
16	1	129470-86500	CABLE,REMO-CON.(7M)	2							1
17	1	41730-000681	MT-3 REMO-CON	1							1
18	1	128170-86501	REMOCON HEAD (MN	1							1



Remarks
(1)OPTIONAL

Fig.32. CLUTCH

(A)=3JH5E
(B)=
(C)=

(D)=
(E)=
(F)=

REF.	LEV.	PARTS NO.	DESCRIPTION	Q'TY						I	R
				(A)	(B)	(C)	(D)	(E)	(F)		
1	1	129270-81120	CLUTCH, KM35P I=2.61	1							
2	1	129270-81110	CLUTCH, KM35P I=2.36	1							
3	1	129270-81170	CLUTCH, KM35A I=2.33	1							
4	1	129270-81180	CLUTCH, KM35A I=2.64	1							
5	1	129670-77800	KMG65E-S3 CMP	1							
6	1	129670-77810	KMG65E-S6 CMP	1							
7	1	129670-77820	KMG65E-K3 CMP	1							
8	1	129670-77830	KMG65E-K6 CMP	1							
9	1	129670-13600	STUD BOLT M8X20	2							
10	1	26106-080202	BOLT M 8X 20 PLATED	6							
11	1	26306-080002	NUT	2							

Remarks
THIS FIGURE ARE NOT ILLUSTRATED.

Fig.33. COUPLING(OPTIONAL)

(A)=3JH5E

(B)=

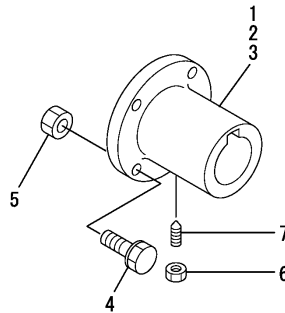
(C)=

(D)=

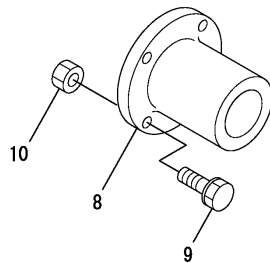
(E)=

(F)=

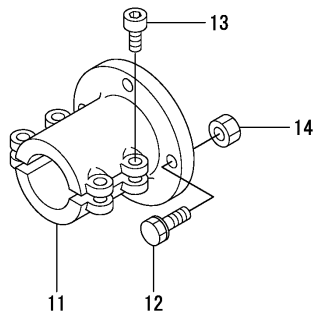
テーパカップリング
TAPER COUPLING



ストレートカップリング
STRAIGHT COUPLING

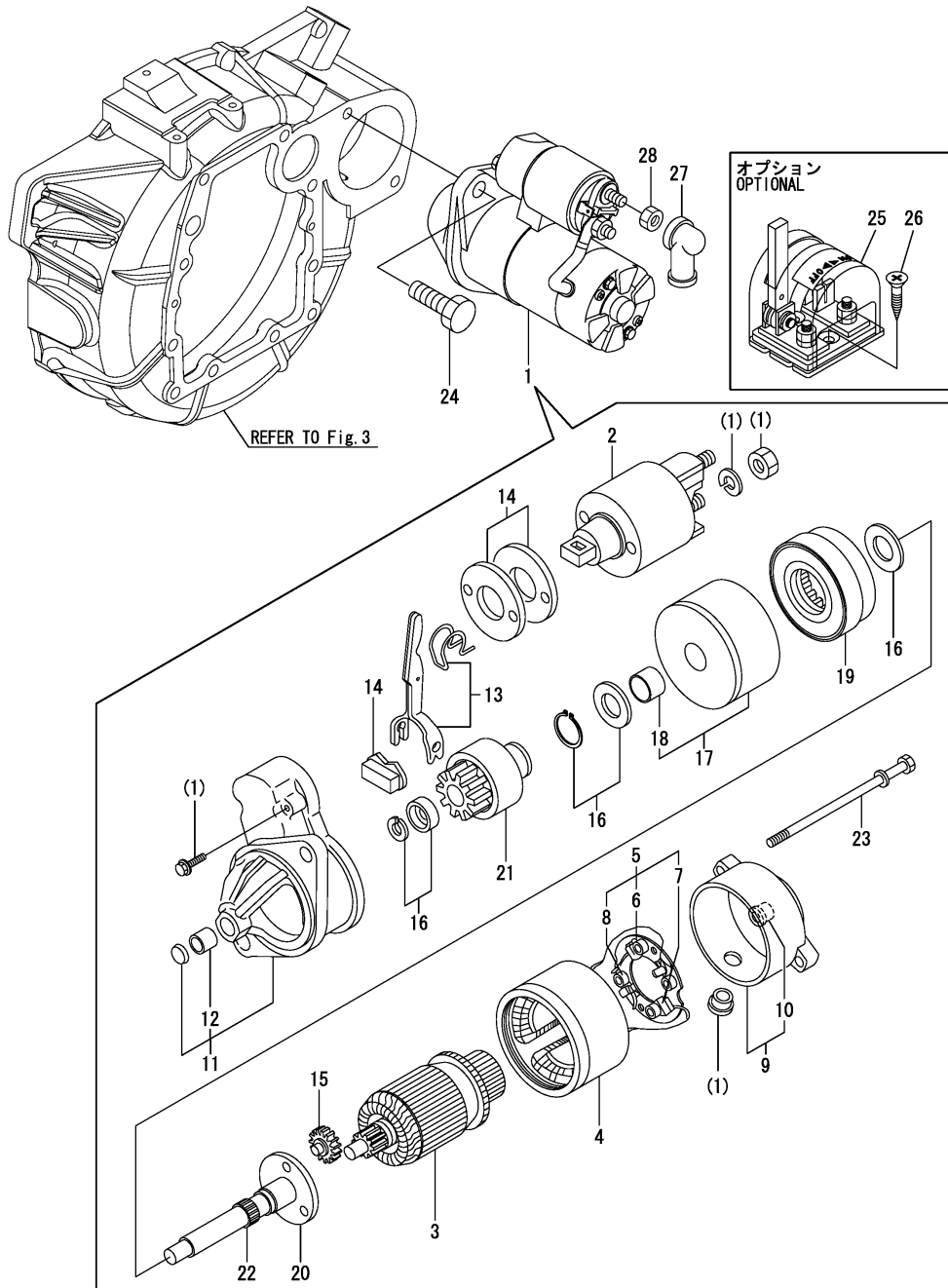


スリットカップリング
SLIT COUPLING



REF.	LEV.	PARTS NO.	DESCRIPTION	Q'TY						I	R
				(A)	(B)	(C)	(D)	(E)	(F)		
1	1	48110-032502	COUPLING,TAPER 30	1							
2	1	129171-85900	COUPLING,TAPER	1							
3	1	129670-85900	COUPLING,TAPER 34	1							
4	1	26106-100322	BOLT M10X 32 PLATED	4							
5	1	26706-100002	NUT M10	4							
6	1	26756-080002	LOCK NUT M 8 PLATED	1							
7	1	48110-032411	SCREW	1							
8	1	105583-85900	COUPLING 22	1							
9	1	26106-100322	BOLT M10X 32 PLATED	4							
10	1	26706-100002	NUT M10	4							
11	1	104214-83980	COUPLING (20), SLIT	1							
12	1	26106-100322	BOLT M10X 32 PLATED	4							
13	1	26450-080302	BOLT, 8 X 30	4							
14	1	26706-100002	NUT M10	4							

Fig.34. STARTING MOTOR



(A)=3JH5E

(B)=

(C)=

(D)=

(E)=

(F)=

REF.	LEV.	PARTS NO.	DESCRIPTION	Q'TY						I	R
				(A)	(B)	(C)	(D)	(E)	(F)		
1	1	129608-77010	STARTNG MOTOR	1							
2	2	129698-77020	MAGNETIC SWITCH ASSY	1							
3	2	129698-77101	ARMATURE ASSY	1							
4	2	129608-77110	YOKE ASSY	1							
5	2	129698-77120	HOLDER ASSY,BRUSH	1							
6	3	129698-77140	BRUSH(+) SET	1							
7	3	129698-77130	BRUSH (-)	2							
8	3	129698-77150	SPRING, BRUSH	4							
9	2	129698-77161	COVER ASSY, REAR	1							
10	3	129698-77170	REAR COVER METAL	1							
11	2	129698-77260	HOUSING ASSY, GEARS	1							
12	3	X2114535200	METAL, STARTER	1							
13	2	129698-77270	LEVER, SHIFT	1							
14	2	129698-77280	COVER ASSY, DUST	1							
15	2	129698-77240	GEAR	3							
16	2	129698-77250	WASHER SET	1							
17	2	129698-77180	BRACKET	1							
18	3	129698-77190	BRACKET	1							
19	2	129698-77200	INTERNAL GEAR	1							
20	2	129698-77210	BRACKET	1							
21	2	129698-77220	PINION ASSY	1							
22	2	129698-77230	SHAFT(PINION	1							
23	2	124195-77770	THROUGH BOLT	2							
24	1	26116-120302	BOLT M12X 30 PLATED	2							
25	1	123310-77640	SWITCH, BATTERY	1							
26	1	22724-800380	SCREW 8X 38	2							
27	1	129670-77030	COVER, TERMINAL B	1							
28	1	26756-080002	LOCK NUT M 8 PLATED	1							

Fig.35. GENERATOR

(A)=3JH5E

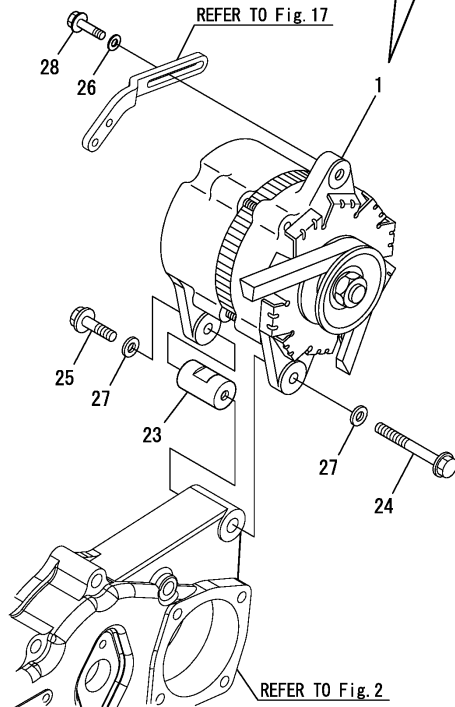
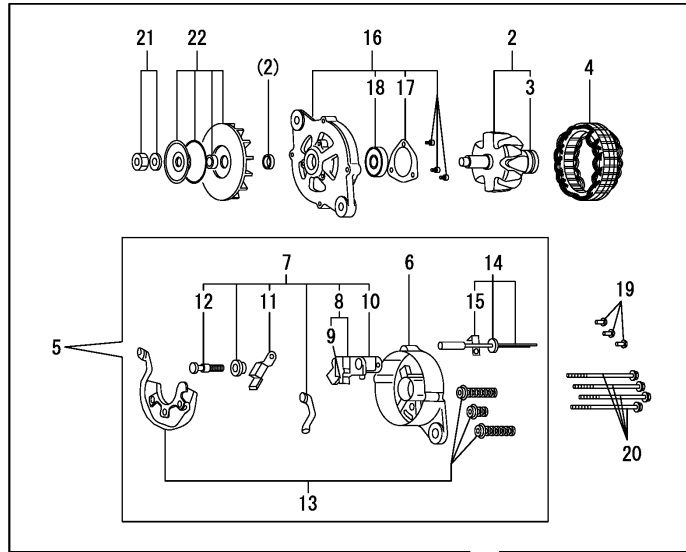
(B)=

(C)=

(D)=

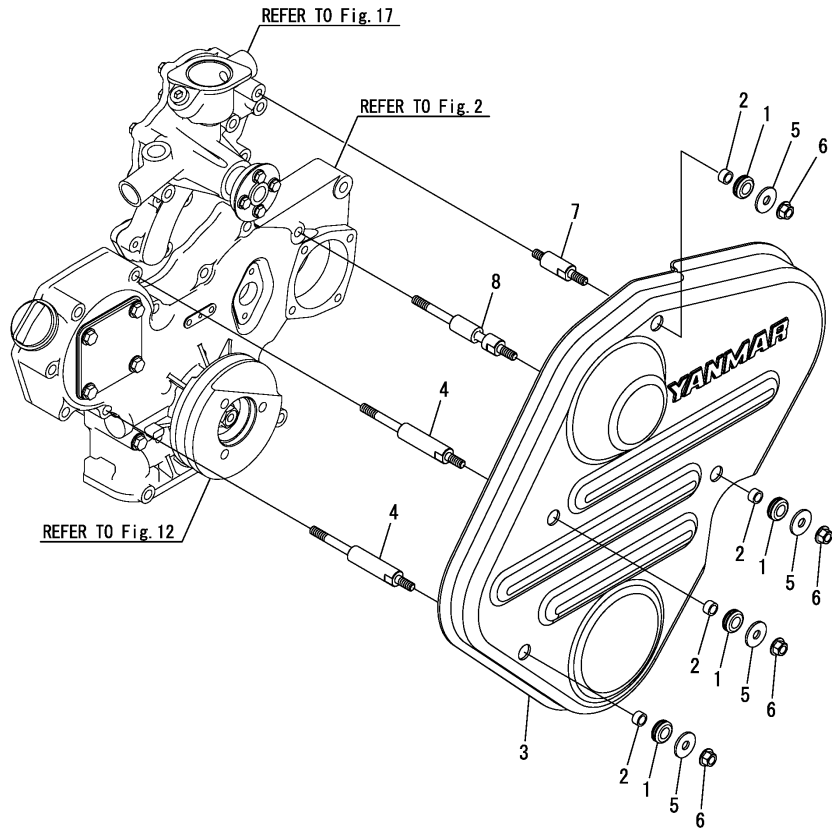
(E)=

(F)=



REF.	LEV.	PARTS NO.	DESCRIPTION	Q'TY						I	R
				(A)	(B)	(C)	(D)	(E)	(F)		
1	1	119573-77201	ALTERNATER(12V-80A	1							
2	2	XL180G61000	ROTOR ASSY	1							
3	3	119129-77320	BALL BEARING	1							
4	2	XL180120000	STATOR ASSY	1							
5	2	XL180G63006	COVER ASSY, REAR	1							
6	3	XL180G13012	COVER, REAR	1							
7	3	XL180G43150	BRUSH ASSY,REGULATOR	1							
8	4	XL155G1330	BRUSH ASSY	1							
9	5	XL225G1325	BRUSH SET	2							
10	4	124080-77390	REGULATOR ASSY	1							
11	4	XL225431800	CONDENSER	1							
12	4	124080-77520	BOLT M5	2							
13	3	XL1808320	DIODE ASY	1							
14	3	119129-77250	WIRE	1							
15	4	119129-77260	CLAMP,LEAD WIRE	1							
16	2	XL235340110	COVER ASSY, FRONT	1							
17	3	XL150M14041	RETAINER	1							
18	3	X6303BM0000	BALL BEARING	1							
19	2	119129-77930	SCREW KIT	1							
20	2	119129-77890	BOLT, THROUGH	4							
21	2	119129-77900	NUT ASSY, PULLEY	1							
22	2	XL180G85001	PULLEY ASSY	1							
23	1	129670-77350	SPACER,GENERATOR	1							
24	1	129670-77370	BOLT, M10X70	1							
25	1	129670-77380	BOLT, M10X30	1							
26	1	22137-080000	WASHER 8, POLISHED	1							
27	1	22137-100000	WASHER 10,POLISHED	2							
28	1	26106-080252	BOLT M 8X 25 PLATED	1							

Fig.36. V-BELT COVER

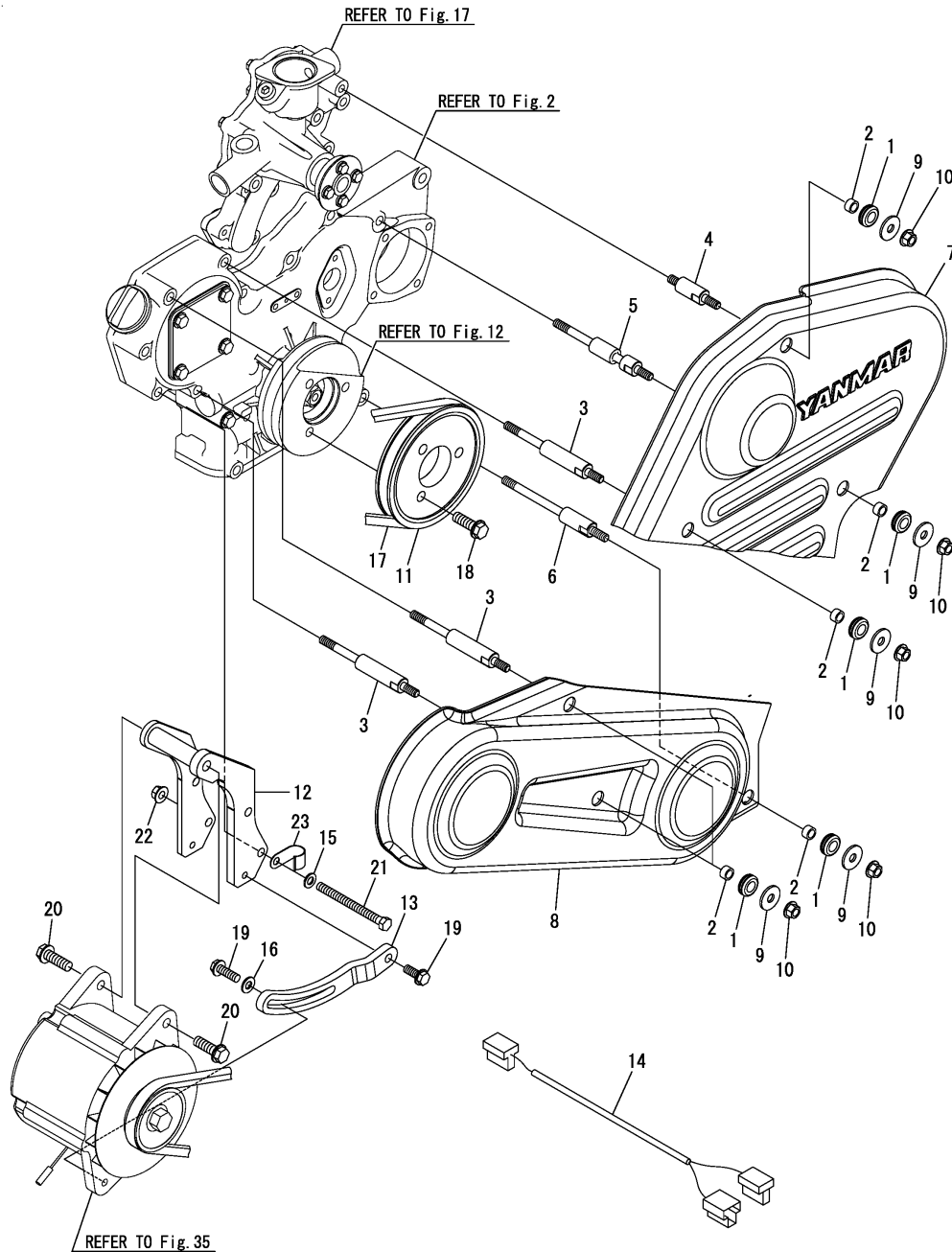


(A)=3JH5E
(B)=
(C)=

(D)=
(E)=
(F)=

REF.	LEV.	PARTS NO.	DESCRIPTION	Q'TY						I	R
				(A)	(B)	(C)	(D)	(E)	(F)		
1	1	128990-77610	GROMMET	4							
2	1	128990-77430	COLLAR	4							
3	1	129271-77401	COVER,BELT	1							
4	1	129271-77410	BOLT,BELT COVER	2							
5	1	22157-080000	WASHER 8	4							
6	1	26306-080002	NUT	4							
7	1	129271-77420	BOLT,BELT COVER	1							
8	1	129271-77430	BOLT,BELT COVER	1							

Fig.37. V-BELT COVER & GENERATOR ATTACHMENT PART(OPTIONAL)



(A)=3JH5E

(B)=

(C)=

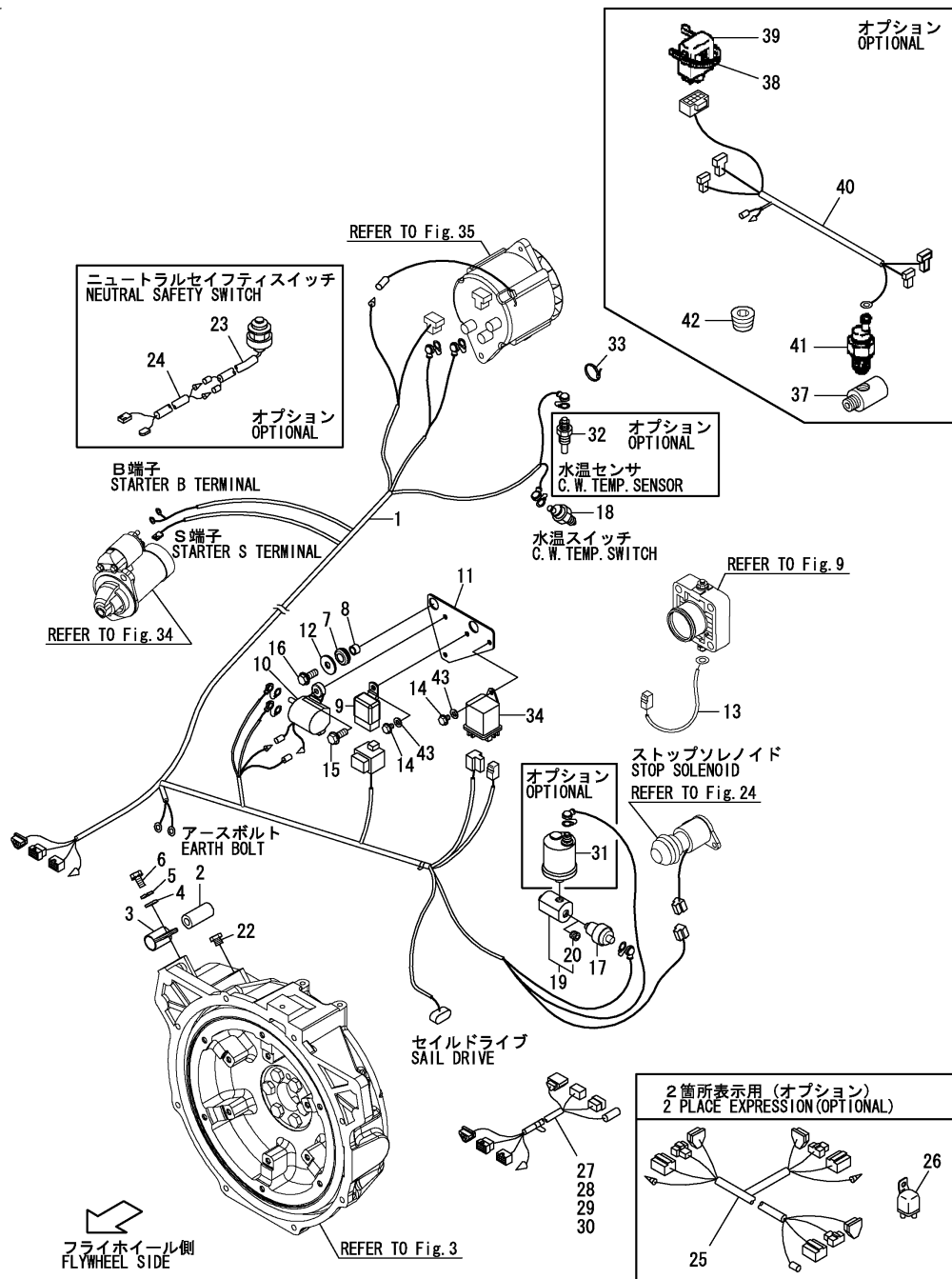
(D)=

(E)=

(F)=

REF.	LEV.	PARTS NO.	DESCRIPTION	QTY						I	R
				(A)	(B)	(C)	(D)	(E)	(F)		
1	1	128990-77610	GROMMET	6							
2	1	128990-77430	COLLAR	6							
3	1	129271-77410	BOLT,BELT COVER	3							
4	1	129271-77420	BOLT,BELT COVER	1							
5	1	129271-77430	BOLT,BELT COVER	1							
6	1	129271-77440	BOLT,BELT COVER	1							
7	1	129271-77501	COVER A,BELT	1							
8	1	129271-77510	COVER B,BELT	1							
9	1	22157-080000	WASHER 8	6							
10	1	26306-080002	NUT	6							
11	1	129271-21350	V-PULLEY,FRONT DRIVE	1							
12	1	129271-77311	BRACKET,ALTERNATOR	1							
13	1	129271-77330	ADJUSTER,ALTERNATOR	1							
14	1	129271-77931	HARNES,ALTERNATOR	1							
15	1	22137-080000	WASHER 8, POLISHED	2							
16	1	22137-080000	WASHER 8, POLISHED	1							
17	1	25132-003800	V-BELT A-38	1							
18	1	26106-100302	BOLT M10X 30 PLATED	3							
19	1	26106-080252	BOLT M 8X 25 PLATED	2							
20	1	26106-100302	BOLT M10X 30 PLATED	2							
21	1	26116-080904	BOLT M 8X 90 PLATED	2							
22	1	26306-080002	NUT	2							
23	1	129150-03100	RETAINER	1							

Fig.38. WIRE HARNESS & SENSOR



(A)=3JH5E
(B)=
(C)=

(D)=
(E)=
(F)=

REF.	LEV.	PARTS NO.	DESCRIPTION	QTY						I	R
				(A)	(B)	(C)	(D)	(E)	(F)		
1	1	129271-77940	HARNESS, WIRE(ENG	1							
2	1	129670-77940	PROTECTOR	1							
3	1	124070-77950	CLAMP, WIRE	1							
4	1	22137-080000	WASHER 8, POLISHED	1							
5	1	22217-080000	SPRING WASHER 8	1							
6	1	26106-080162	BOLT M 8X 16 PLATED	1							
7	1	128990-77610	GROMMET	2							
8	1	128990-77430	COLLAR	2							
9	1	119247-77100	RELAY, SAFETY	1							
10	1	128990-77550	RELAY, MAGNET	1							
11	1	129271-77970	BRACKET, RELAY	1							
12	1	22157-080000	WASHER 8	2							
13	1	129271-77921	HARNESS,WIRE(HEATER	1							
14	1	26106-060082	BOLT, 6 X 8	2							
15	1	26106-060122	BOLT, 6 X 12	2							
16	1	26106-080202	BOLT M 8X 20 PLATED	2							
17	1	121252-39450	SWITCH,OIL PRESS.0.5	1							
18	1	120130-91370	SWITCH, THERMO(100 C	1							
19	1	129670-39600	DAMPER CMP(R 1/8	1							
20	2	23875-010000	PLUG PT1/8	1							
22	1	23887-180002	PLUG 18	1							
23	1	120270-77102	SWITCH, SAFETY	1							
24	1	129570-77960	HARNESS, WIRE	1							
25	1	129574-77980	HARNESS.	1							
26	1	119773-91850	RELAY	1							
27	1	129574-77710	HARNESS, WIRE(4M)	1							
28	1	129574-77720	HARNESS, WIRE(6M)	1							
29	1	128391-77720	HARNESS, WIRE(6M	1							
30	1	129574-77740	HARNESS,10M	1							
31	1	119773-91650	SENDA UNIT	1							
32	1	119773-91700	SENDA UNIT	1							
33	1	194250-51660	BAND 250	1							
34	1	128990-77910	RELAY ASSY, GLOW	1							
37	1	129671-49990	JOINT(R3/8	1							
38	1	194250-51660	BAND 250	3							
39	1	119575-77071	CONTROLLER	1							
40	1	129670-77980	HARNESS, CONTROLLER	1							
41	1	124616-91370	SWITCH, THERMO	1							
42	1	23875-030000	PLUG PT3/8,STEEL	1							
43	1	22217-060000	WASHER, 6	2							

Fig.39. INSTRUMENT PANEL(B-TYPE/OPTIONAL)

(A)=3JH5E

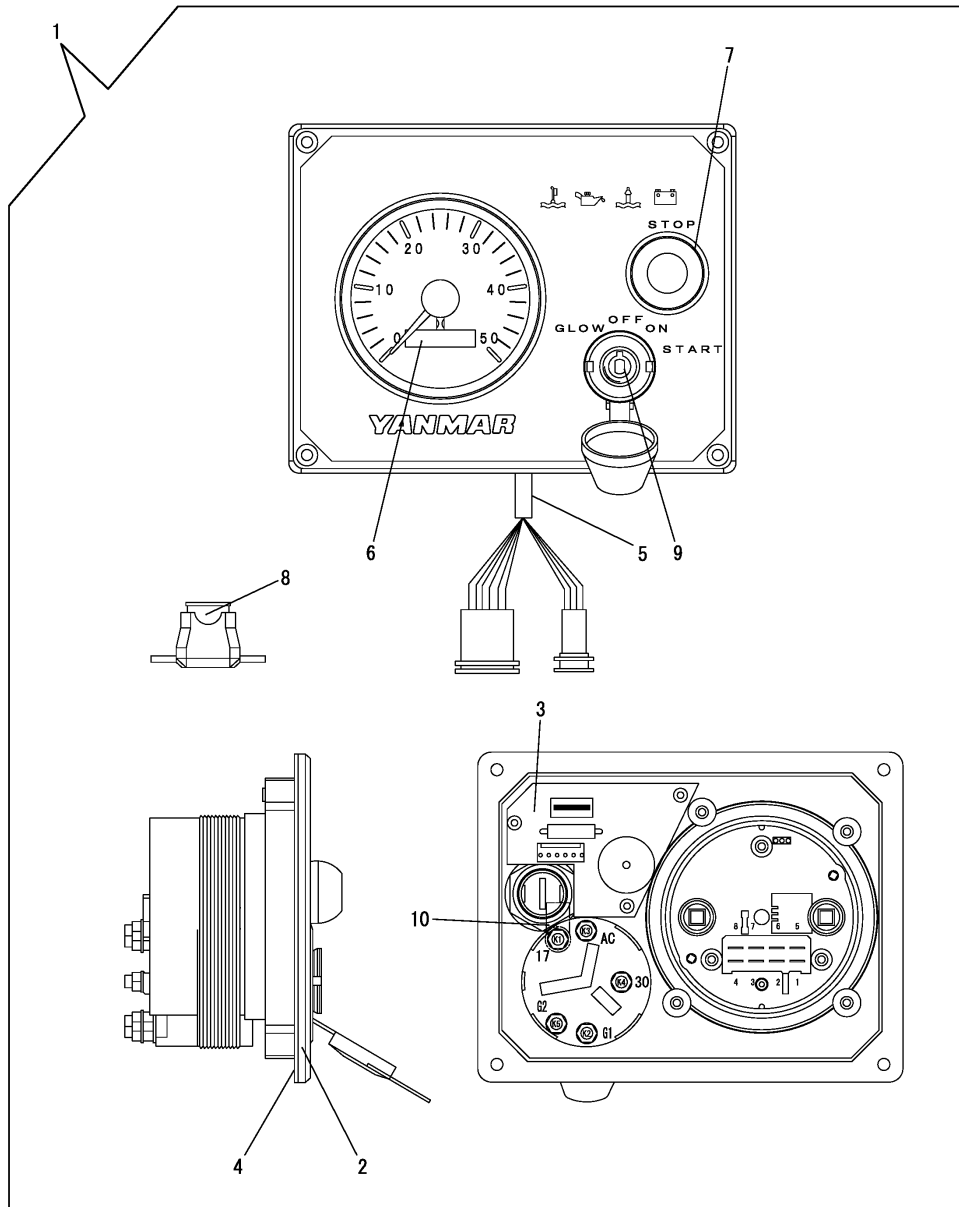
(B)=

(C)=

(D)=

(E)=

(F)=



REF.	LEV.	PARTS NO.	DESCRIPTION	QTY						I	R
				(A)	(B)	(C)	(D)	(E)	(F)		
1	1	129271-91112	PANEL, INSTRUMENT B	1							
2	2	129271-91120	PANEL WITH COVERFOIL	1							
3	2	129271-91131	CIRCUIT WITH LED&BZR	1							
4	2	129271-91140	RUBBER SEAL,B PANEL	1							
5	2	129271-91150	HARNES,B PANEL	1							
6	2	129271-91210	TACHOMETER	1							
7	2	129271-91220	STOP SWITCH	1							
8	2	129271-91230	FUSE,PANEL (3A)	1							
9	2	127412-91250	SWITCH W/KEY	1							
10	2	129271-91260	RUBBER CAP(M5)	1							

Fig.40. INSTRUMENT PANEL(C-TYPE/OPTIONAL)

(A)=3JH5E

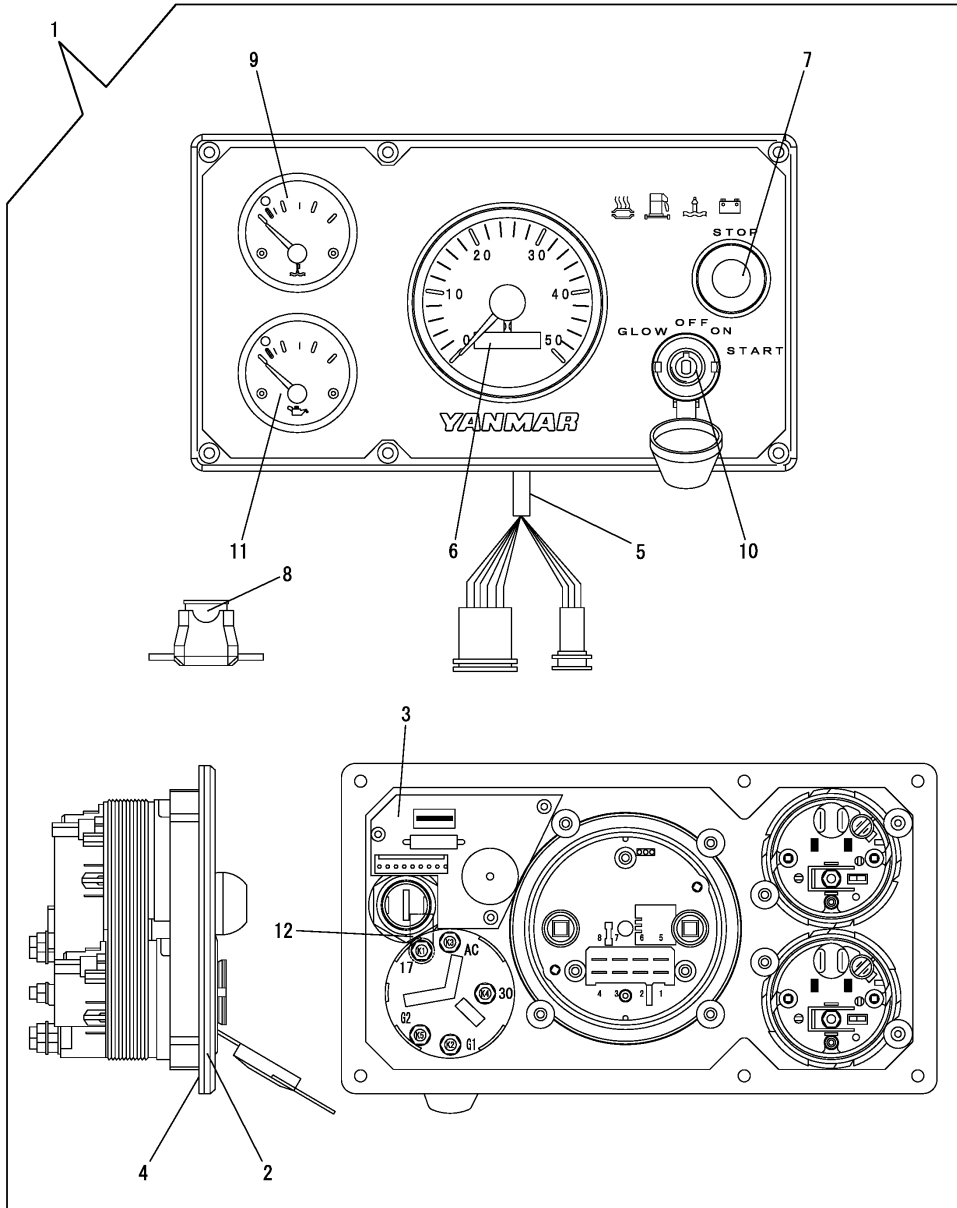
(B)=

(C)=

(D)=

(E)=

(F)=



REF.	LEV.	PARTS NO.	DESCRIPTION	QTY						I	R
				(A)	(B)	(C)	(D)	(E)	(F)		
1	1	129271-91162	PANEL, INSTRUMENT C	1							
2	2	129271-91170	PANEL WITH COVERFOIL	1							
3	2	129271-91181	CIRCUIT WITH LED&BZR	1							
4	2	129271-91190	RUBBER SEAL,C PANEL	1							
5	2	129271-91200	HARNESS,C PANEL	1							
6	2	129271-91210	TACHOMETER	1							
7	2	129271-91220	STOP SWITCH	1							
8	2	129271-91230	FUSE,PANEL (3A)	1							
9	2	129271-91240	METER,WATER TEMP.	1							
10	2	127412-91250	SWITCH W/KEY	1							
11	2	129271-91250	METER, OIL PRESS.	1							
12	2	129271-91260	RUBBER CAP(M5)	1							

Fig.41. INSTRUMENT PANEL(B-TYPE/KEYLES/OPTIONAL)

(A)=3JH5E

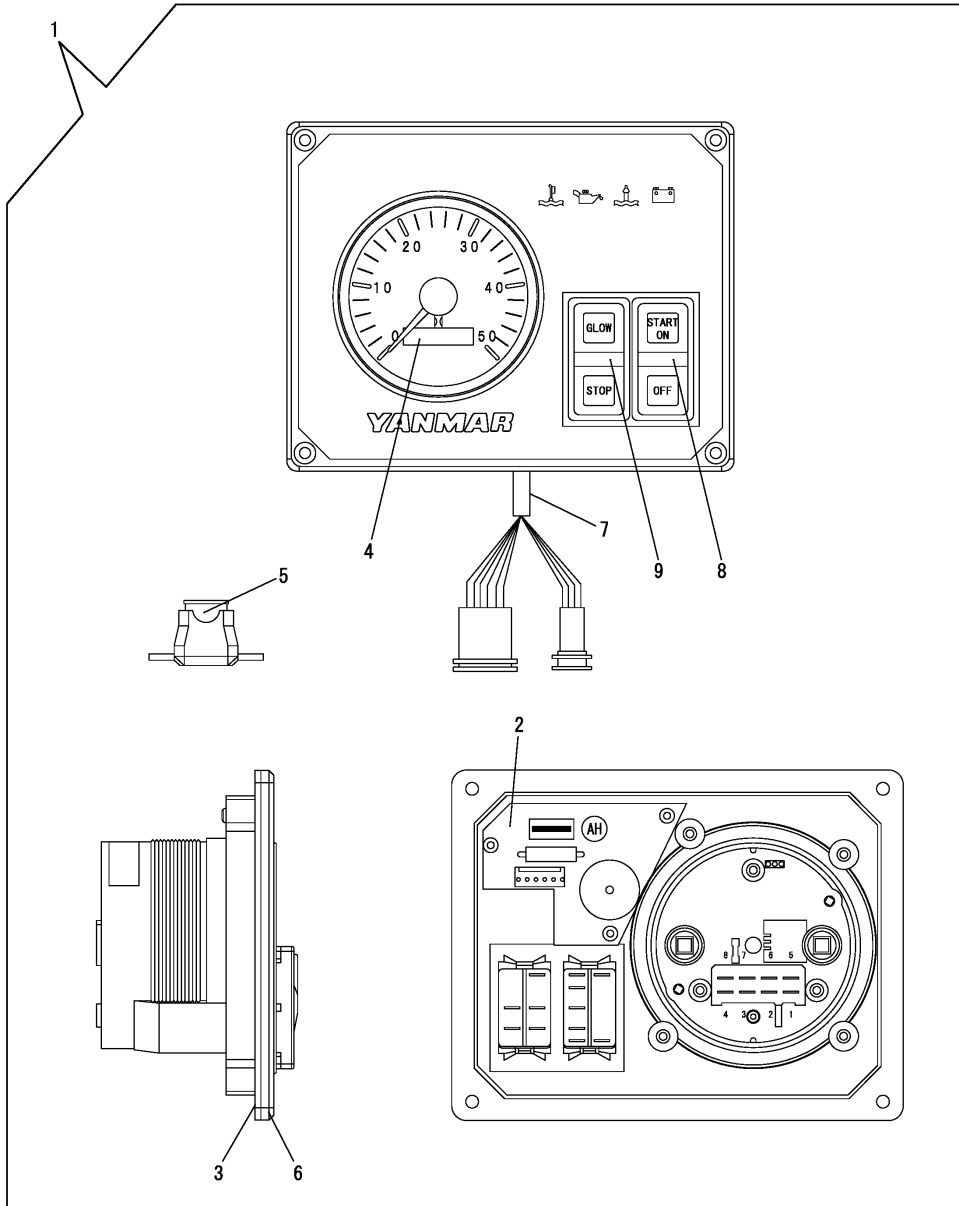
(B)=

(C)=

(D)=

(E)=

(F)=



REF.	LEV.	PARTS NO.	DESCRIPTION	QTY						I	R
				(A)	(B)	(C)	(D)	(E)	(F)		
1	1	129271-91301	PANEL,B KEYLESS	1							
2	2	129271-91131	CIRCUIT WITH LED&BZR	1							
3	2	129271-91140	RUBBER SEAL,B PANEL	1							
4	2	129271-91210	TACHOMETER	1							
5	2	129271-91230	FUSE,PANEL	1							
6	2	129271-91310	PANEL WITH COVERFOIL	1							
7	2	129271-91320	HARNES,B KEYLESS	1							
8	2	129271-91330	SWITCH,OFF/START	1							
9	2	129271-91340	SWITCH,GLOW/STOP	1							

Fig.42. INSTRUMENT PANEL(C-TYPE/KEYLES/OPTIONAL)

(A)=3JH5E

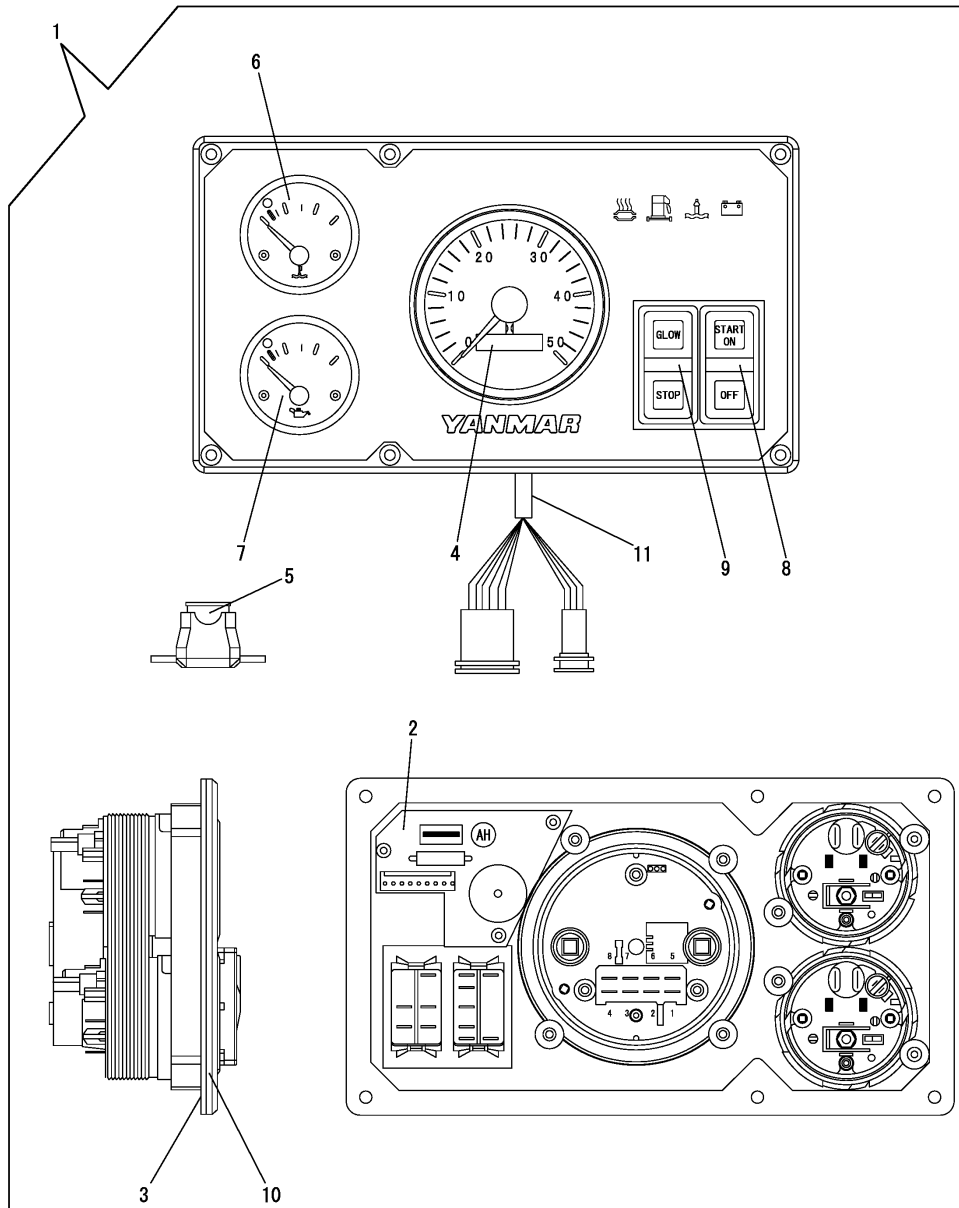
(B)=

(C)=

(D)=

(E)=

(F)=



REF.	LEV.	PARTS NO.	DESCRIPTION	QTY						I	R	
				(A)	(B)	(C)	(D)	(E)	(F)			
1	1	129271-91351	PANEL,C KEYLESS	1								
2	2	129271-91181	CIRCUIT WITH LED&BZR	1								
3	2	129271-91190	RUBBER SEAL,C PANEL	1								
4	2	129271-91210	TACHOMETER	1								
5	2	129271-91230	FUSE,PANEL	1								
6	2	129271-91240	METER,WATER TEMP.	1								
7	2	129271-91250	METER, OIL PRESS.	1								
8	2	129271-91330	SWITCH,OFF/START	1								
9	2	129271-91340	SWITCH,GLOW/STOP	1								
10	2	129271-91360	PANEL WITH COVERFOIL	1								
11	2	129271-91370	HARNES,C KEYLESS	1								

Fig.43. TOOL

(A)=3JH5E

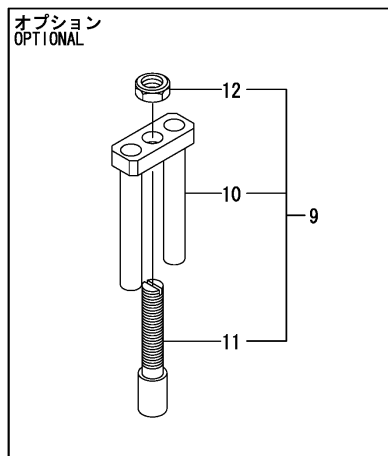
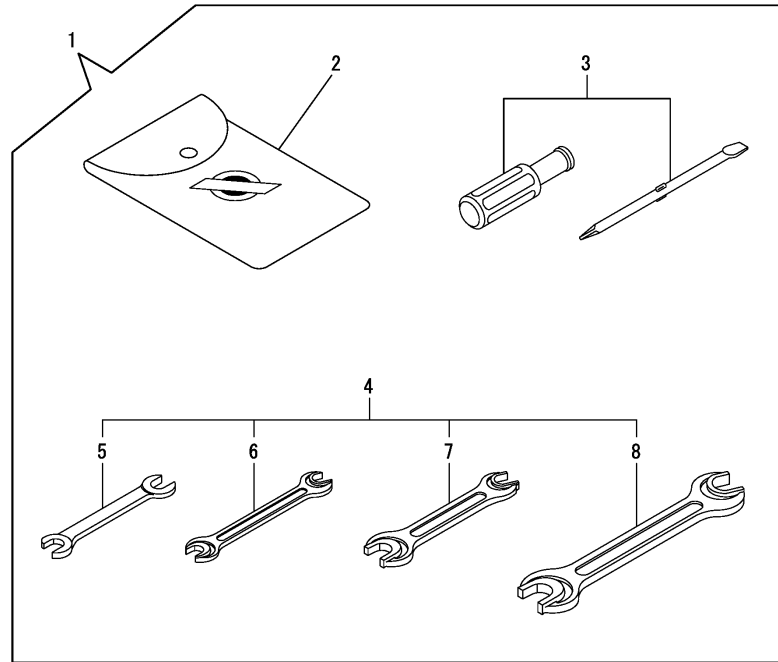
(B)=

(C)=

(D)=

(E)=

(F)=



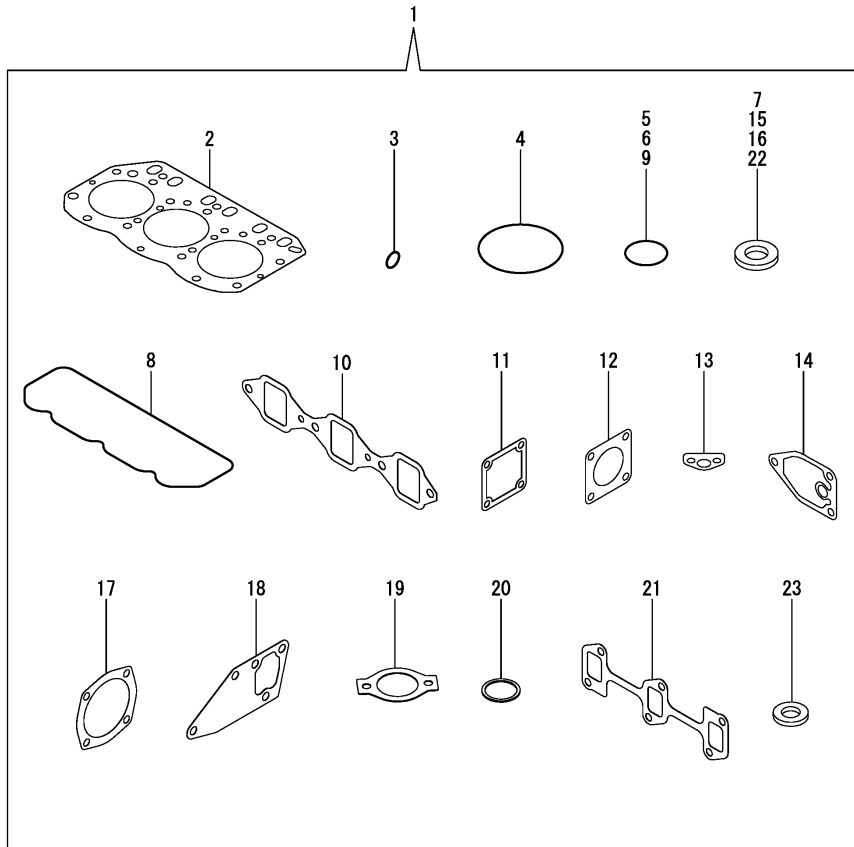
REF.	LEV.	PARTS NO.	DESCRIPTION	QTY						I	R
				(A)	(B)	(C)	(D)	(E)	(F)		
1	1	129270-92100	TOOL BOX SET	1							
2	2	129270-92600	TOOL BAG	1							
3	2	129270-92650	DRIVER	1							
4	2	129270-92690	SPANNER SET	1							
5	3	129270-92610	SPANNER 10X13	1							
6	3	129270-92620	SPANNER 12X14	1							
7	3	129270-92630	SPANNER 17X19	1							
8	3	129270-92640	SPANNER 22X24	1							
9	1	129470-92300	TOOL ASSY.	1							
10	2	129470-92310	RETAINER(A,F.I.VALVE	1							
11	2	129470-92320	RETAINER(B,F.I.VALVE	1							
12	2	26716-120002	NUT 12	1							
13	1	129671-92110	PULLER CMP,IMPELLER	1							
14	2	129671-92120	PULLER,IMPELLER	1							
15	2	129671-92130	BOLT,PULLER	1							

Fig.44. GASKET SET(OPTIONAL)

OCR10-G74900 44. GASKET SET(OPTIONAL)

(A)=3JH5E
(B)=
(C)=

(D)=
(E)=
(F)=



REF.	LEV.	PARTS NO.	DESCRIPTION	Q'TY						I	R
				(A)	(B)	(C)	(D)	(E)	(F)		
1	1	729271-92600	GASKET SET	1							
2	2	129001-01340	GASKET, (NON-ASB.)	1							
3	2	119609-32040	O-RING P16	4							
4	2	121850-51960	O-RING, F.I.PUMP	1							
5	2	24311-000320	O-RING 1A P-32.0	2							
6	2	24341-000240	O-RING 1A S-24.0	1							
7	2	22190-140002	SEAL WASHER 14S	4							
8	2	129004-11310	GASKET, BONNET	1							
9	2	24311-000120	O-RING 1A P 12.0	3							
10	2	129150-12111	GASKET, (NON-ASB.)	1							
11	2	129150-77511	GASKET, (NON-ASB.)	1							
12	2	129472-18090	GASKET	1							
13	2	129150-35042	GASKET, (NON-ASB.)	1							
14	2	129150-35111	GASKET, (NON-ASB.)	1							
15	2	22190-080002	SEAL WASHER 8S	3							
16	2	22190-100002	SEAL WASHER 10S	2							
17	2	129150-01881	GASKET, (NON-ASB.)	2							
18	2	129486-42050	GASKET	1							
19	2	129795-49551	GASKET, (NON-ASB.)	1							
20	2	129470-49810	GASKET, (NON-ASB.)	1							
21	2	129150-13110	GASKET, EXH.MANIFOLD	1							
22	2	22190-120002	SEAL WASHER 12	8							
23	2	23414-080000	GASKET 8, ROUND	1							

Part Number Index

All parts are stipulated in the order of part numbers.

(Depending on the area in which the part is used.)

This index will display the location of the part according to each part number.

PARTS No. INDEX

PARTS No.	Fig.	Ref.No.
104214-83980	33	11
105430-55041	30	8
105583-85900	33	8
114250-53080	26	5
114250-53120	26	11
114250-53130	26	12
114250-53140	26	13
114250-53210	26	14
119129-77250	35	14
119129-77260	35	15
119129-77320	35	3
119129-77890	35	20
119129-77900	35	21
119129-77930	35	19
119225-52102	25	1
119247-77100	38	9
119305-35151	14	13
119573-77201	35	1
119575-77071	38	39
119609-32040	2	14
	44	3
119620-01750	3	11
119620-49290	14	25
	18	12
119625-11880	7	32
119660-61901	24	60
119773-42570	16	9
119773-91650	38	31
119773-91700	38	32
119773-91850	38	26
119802-01561	2	10
119802-03110	8	4
119802-03121	8	5
119802-03130	8	6
119802-03141	8	7
119802-11260	7	6
119802-11270	7	7
119802-11280	7	8
119802-11870	7	31
119802-25071	11	15
119802-25101	11	11
119802-25901	11	17
119802-35110	14	10
119802-39450	15	2
119802-51090	23	11
119802-51250	23	130
119802-51560	23	60
119802-51590	23	66
119802-51600	23	67
119802-51680	23	71

PARTS No.	Fig.	Ref.No.
119802-51690	23	72
119802-53100	26	6
119802-55801	28	3
119803-21200	12	4
119803-25050	11	10
119803-53400	26	15
119807-61420	24	23
119865-21600	12	10
119934-01800	2	8
119940-59130	14	21
120130-11860	7	19
120130-91370	38	18
120270-54410	7	34
120270-77102	38	23
120322-33050	18	9
120324-55751	29	1
120324-55760	29	2
121023-01551	2	22
121111-21501	12	7
121252-39450	38	17
121400-11340	7	28
121450-01560	16	24
121550-23200	13	13
121750-59890	8	19
	25	4
		5
121750-59910	29	14
121850-21680	12	13
121850-51960	2	15
	44	4
123310-77640	34	25
123325-49421	10	7
	16	18
123682-07852	6	4
124060-01050	1	5
124070-77950	38	3
124080-77390	35	10
124080-77520	35	12
124160-01751	2	11
	8	16
124160-01910	1	7
		8
124160-11360	8	13
124160-39140	15	1
124195-77770	34	23
124240-01871	2	12
	16	25
		28
124413-39100	14	28
124460-11340	7	29

PARTS No.	Fig.	Ref.No.
124460-77680	18	19
124550-01590	2	18
124616-91370	38	41
124976-34850	1	31
127412-91250	39	9
	40	10
128170-86501	31	18
128377-07150	6	1
128377-07190	6	6
128377-07260	6	2
128377-07350	6	3
128377-07400	6	7
128377-07420	6	8
128377-07450	6	9
128377-07460	6	10
128377-08350	4	8
128391-77720	38	29
128397-44500	18	24
128397-44510	18	26
128990-49320	17	31
		32
128990-59131	30	2
128990-59700	30	1
128990-77430	9	12
	36	2
	37	2
	38	8
128990-77550	38	10
128990-77610	36	1
	37	1
	38	7
128990-77910	38	34
129001-01250	1	6
129001-01340	1	33
	44	2
129001-02931	1	25
129001-32001	14	30
129004-01190	1	40
129004-03010	8	2
129004-11241	7	4
129004-11251	7	5
129004-11310	8	10
	44	8
129004-11350	8	1
129004-11650	7	10
129004-11900	7	33
129004-55612	28	1
129005-11100	7	24
129005-11700	7	15
129005-21650	12	11

PARTS No.	Fig.	Ref.No.
129005-22080	13	1
129005-22500	13	3
129005-22900	13	19
129005-22950	13	21
129005-59830	15	3
129006-35100	14	9
129006-44480	14	14
129008-01520	2	9
129008-21000	12	1
129008-53000	26	2
129009-51390	23	41
129054-42320	17	6
129100-01580	3	1
		5
	12	2
129100-01640	3	6
129100-01730	5	5
129100-11112	7	25
129100-23910	13	16
129120-77502	9	5
129129-14580	11	3
129150-01200	1	32
129150-01881	16	22
		26
		29
	44	17
129150-02020	1	10
129150-02450	11	4
129150-02871	1	34
129150-02931	1	28
129150-02941	1	37
129150-03070	8	3
129150-03100	37	23
129150-11230	7	11
129150-11280	7	9
129150-11370	7	14
129150-11750	7	13
129150-11810	7	21
129150-12111	9	2
	44	10
129150-13110	18	18
	44	21
129150-14101	11	7
129150-14200	11	1
129150-14400	11	2
129150-23601	13	14
129150-23610	13	17
129150-25301	11	16
129150-32020	14	43
129150-35042	14	5

PARTS No. INDEX

PARTS No.	Fig.	Ref.No.
129150-35042	44	13
129150-35091	14	1
129150-35111	14	12
	44	14
129150-42059	17	2
129150-42301	17	4
129150-59120	27	1
129150-59131	27	4
129150-77511	9	6
	44	11
129155-51280	24	6
129155-61460	24	25
129156-44760	17	18
129171-49900	19	5
129171-85900	33	2
129202-22300	13	7
129255-61410	24	22
129263-42120	17	3
129270-21591	12	8
129270-44410	18	7
129270-44501	18	25
129270-44910	18	1
129270-49210	20	1
129270-49400	17	19
129270-59550	28	8
129270-59580	28	10
129270-81110	32	2
129270-81120	32	1
129270-81170	32	3
129270-81180	32	4
129270-92100	43	1
129270-92600	43	2
129270-92610	43	5
129270-92620	43	6
129270-92630	43	7
129270-92640	43	8
129270-92650	43	3
129270-92690	43	4
129271-01600	2	1
129271-01700	5	1
129271-03090	8	17
129271-08100	4	9
129271-08120	4	2
129271-11900	8	20
129271-12100	9	1
129271-12311	9	8
129271-12410	9	10
129271-12810	9	11
129271-21350	37	11
129271-34850	5	10

PARTS No.	Fig.	Ref.No.
129271-34890	5	11
129271-42001	17	1
129271-42501	16	1
129271-42510	16	8
129271-42700	16	21
129271-49040	19	12
129271-49110	19	13
129271-49210	19	10
129271-49220	20	2
129271-55670	28	2
129271-59960	27	6
129271-59970	27	7
129271-59980	27	8
129271-77311	37	12
129271-77330	37	13
129271-77401	36	3
129271-77410	36	4
	37	3
129271-77420	36	7
	37	4
129271-77430	36	8
	37	5
129271-77440	37	6
129271-77501	37	7
129271-77510	37	8
129271-77921	38	13
129271-77931	37	14
129271-77940	38	1
129271-77950	24	128
129271-77970	38	11
129271-91112	39	1
129271-91120	39	2
129271-91131	39	3
	41	2
129271-91140	39	4
	41	3
129271-91150	39	5
129271-91162	40	1
129271-91170	40	2
129271-91181	40	3
	42	2
129271-91190	40	4
	42	3
129271-91200	40	5
129271-91210	39	6
	40	6
	41	4
	42	4
129271-91220	39	7
	40	7

PARTS No.	Fig.	Ref.No.
129271-91230	39	8
	40	8
	41	5
	42	5
129271-91240	40	9
	42	6
129271-91250	40	11
	42	7
129271-91260	39	10
	40	12
129271-91301	41	1
129271-91310	41	6
129271-91320	41	7
129271-91330	41	8
	42	8
129271-91340	41	9
	42	9
129271-91351	42	1
129271-91360	42	10
129271-91370	42	11
129410-03990	8	18
129417-33110	14	4
129417-35150	14	11
129470-13541	10	4
129470-49540	17	25
129470-49801	17	27
129470-49810	17	28
	44	20
129470-59562	28	9
129470-67200	31	2
129470-86500	31	16
129470-92300	43	9
129470-92310	43	10
129470-92320	43	11
129472-13560	10	5
129472-18090	10	2
		10
	44	12
129486-01670	3	9
129486-42050	17	16
	44	18
129490-49070	19	4
129495-77330	17	34
129508-33010	14	7
129508-33050	14	8
129508-49030	14	16
129508-49040	14	20
129550-42350	17	17
129570-77960	38	24
129574-77710	38	27

PARTS No.	Fig.	Ref.No.
129574-77720	38	28
129574-77740	38	30
129574-77980	38	25
129608-77010	34	1
129608-77110	34	4
129642-61060	24	85
129670-01600	3	2
129670-07230	18	13
129670-08110	4	1
129670-08130	4	3
129670-08340	4	7
129670-08350	4	11
129670-12350	9	9
129670-13561	10	1
129670-13600	18	17
	32	9
129670-39600	38	19
129670-39990	14	29
129670-42520	16	6
129670-42531	16	3
129670-42540	16	5
129670-42550	16	7
129670-42560	16	11
129670-42570	16	15
129670-42580	16	17
129670-44150	18	6
129670-44430	18	8
129670-44450	18	11
129670-44570	18	27
129670-49150	19	1
129670-49280	10	6
129670-49390	17	33
129670-49500	10	9
	19	2
		3
		8
		11
	20	3
	21	13
129670-51600	23	58
129670-55010	25	2
129670-55810	29	22
129670-59110	25	3
129670-59140	28	12
129670-59150	28	6
129670-67110	31	1
129670-77030	34	27
129670-77350	35	23
129670-77370	35	24
129670-77380	35	25

PARTS No. INDEX

PARTS No.	Fig.	Ref.No.
129670-77800	32	5
129670-77810	32	6
129670-77820	32	7
129670-77830	32	8
129670-77940	38	2
129670-77980	38	40
129670-81850	12	20
129670-85900	33	3
129671-49110	19	9
129671-49120	19	14
129671-49990	38	37
129671-92110	43	13
129671-92120	43	14
129671-92130	43	15
129673-44090	18	4
129673-44131	18	5
129693-44300	18	22
129698-77020	34	2
129698-77101	34	3
129698-77120	34	5
129698-77130	34	7
129698-77140	34	6
129698-77150	34	8
129698-77161	34	9
129698-77170	34	10
129698-77180	34	17
129698-77190	34	18
129698-77200	34	19
129698-77210	34	20
129698-77220	34	21
129698-77230	34	22
129698-77240	34	15
129698-77250	34	16
129698-77260	34	11
129698-77270	34	13
129698-77280	34	14
129795-01780	3	8
129795-01950	2	13
129795-02412	1	13
129795-11120	7	26
129795-11180	7	27
129795-21661	12	12
129795-48800	21	1
129795-49551	17	26
	44	19
129900-07900	7	1
129916-49740	17	7
129916-59020	23	128
138603-59380	30	4
158552-51151	11	18

PARTS No.	Fig.	Ref.No.
158552-51571	23	61
		62
158552-51580	23	65
158552-51600	23	75
158552-51670	23	4
158552-51781	23	102
158552-52100	23	111
158552-52310	23	113
158552-52400	23	114
158552-52500	23	112
158552-61441	24	24
158552-61900	24	78
158553-51630	23	76
158553-51660	23	80
158553-51670	23	70
158553-51680	23	81
158553-51770	23	108
158553-61050	24	3
158553-61070	24	4
158557-51570	23	63
158563-51281	23	39
		40
158563-51330	23	50
158600-51270	23	38
158601-51550	23	59
158601-51650	23	79
158601-51770	23	101
158601-51790	23	103
171008-03990	14	17
		24
171051-01921	1	9
177070-03520	12	16
177088-02430	6	5
194250-51660	38	33
		38
196420-02310	4	12
196440-02390	4	13
196440-04310	12	18
196630-12980	6	11
41710-000380	31	15
41710-000410	31	14
41730-000681	31	17
43530-500570	19	6
43662-025031	19	7
48110-032411	33	7
48110-032502	33	1
729005-01560	1	1
729271-51300	23	1
729271-53100	26	1
729271-92600	44	1

PARTS No.	Fig.	Ref.No.
729402-23100	13	9
83213-003012	30	7
977780-01211	22	1
977780-03000	22	9
X00190001	16	13
X00370017	16	16
X00371040	16	19
X0044021509	22	7
X0146531	16	4
X02230015	16	12
X02233001	16	14
X0300120414	29	8
X0311121522	29	6
X0313080922	29	12
X0314080110	29	10
X0318101004	22	2
X03431483	16	10
X0580121073	29	7
X0582810173	29	5
X0588080273	29	11
X0600160122	29	9
X0993071171	29	13
X158606410X	22	3
X179100022X	22	5
X179100100X	22	6
X199906101X	22	8
X2114535200	34	12
X2740134002	29	3
X6303BM0000	35	18
X8636015001	22	4
XL150M14041	35	17
XL155G1330	35	8
XL180120000	35	4
XL1808320	35	13
XL180G13012	35	6
XL180G43150	35	7
XL180G61000	35	2
XL180G63006	35	5
XL180G85001	35	22
XL225431800	35	11
XL225G1325	35	9
XL235340110	35	16
XTST25S001	21	2
XTST25S002	21	3
XTST25S003	21	4
XTST25S004	21	5
XTST25S005	21	6
XTST25S007	21	8
XTST25S008	21	9
XTST25S009	21	10

PARTS No.	Fig.	Ref.No.
-----------	------	---------



YANMAR CO.,LTD.