



PARTS CATALOG

Published

2008/7 (Jul.)

0CF10-G50502

P R E F A C E

1. This parts catalog has been issued Model 2GM20(-B,C,F) parts catalog (Pub. No. 000Y00R3751) .

Parts catalog No.:000Y00F50552
Date of issue :Mar. , 1995

2. This Parts Catalog Covers all parts of engines massproduced since May, 1984 .

3. Specification and Model Code.

Model	Specification	Cooling System	Model Code
2GM20	Marine main engine (for export)	Ser water cooling	128271(S,N,G)
2GM20-B	Marine main engine (domestic use)		128271(A,B,C)
2GM20C	For sail drive		128271 E
2GM20F	Marine main engine (for export)	Fresh water cooling	128291(S,N,G)

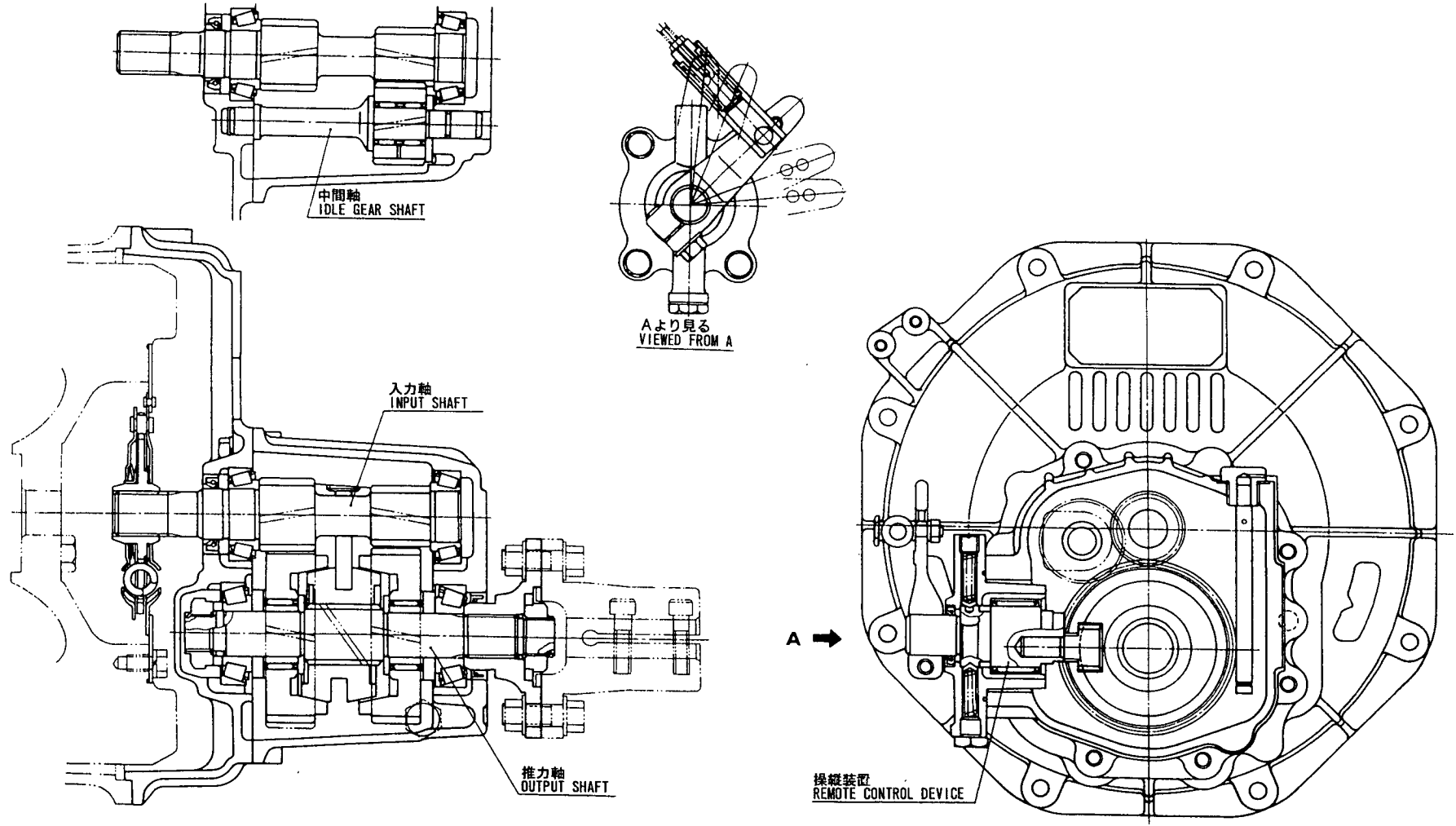
4. Parts of Sail Drive are not listed in this Psrts Catalog. For these Parts, please refer to separate-volume "SD20/SD30 Sail Drive Parts Catalog" (Pub.No.000YE0F1291)

5. Engine Painting Color.....Urethane Metallic Echol Silver

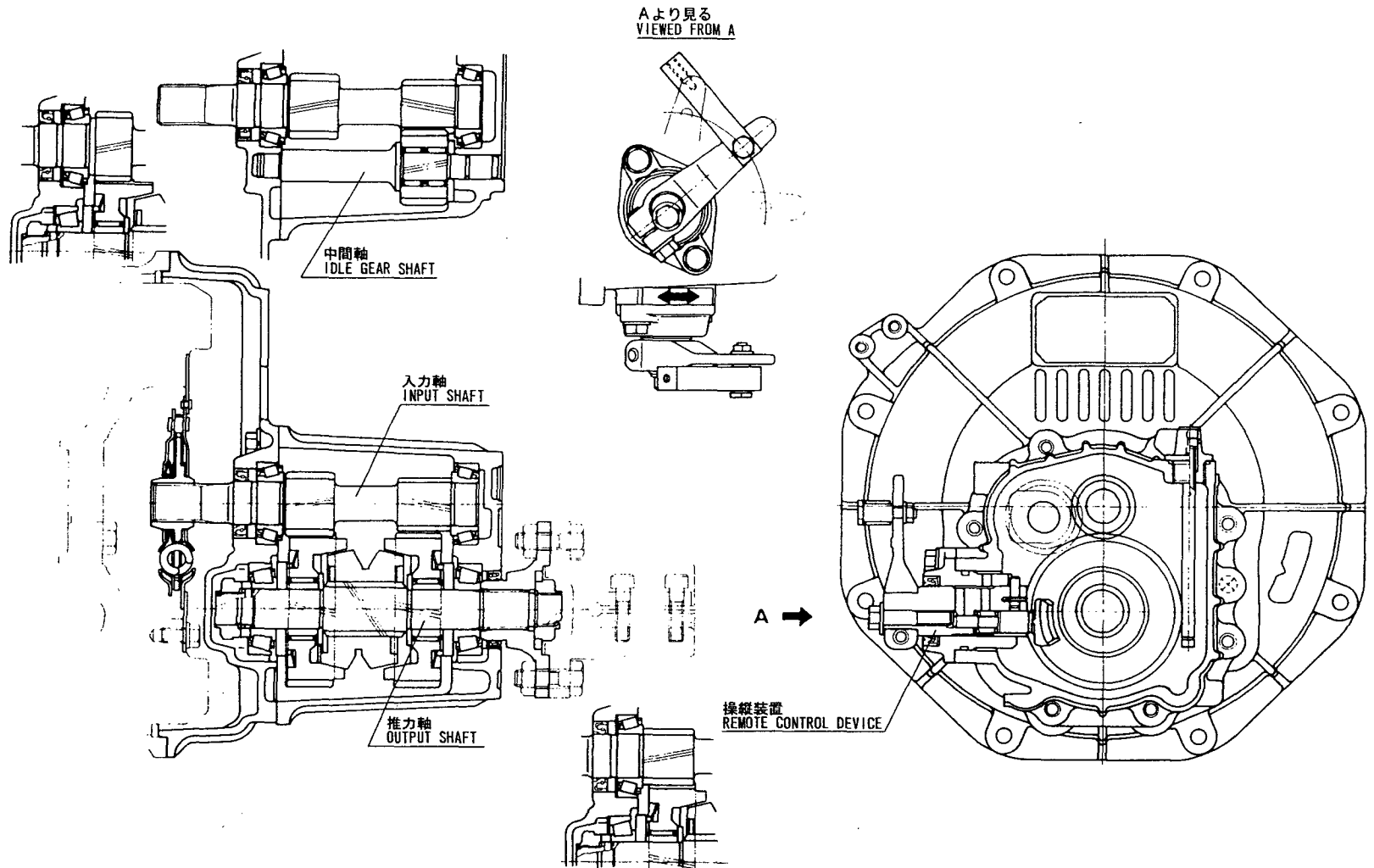
Replacement parts painted in Metallic Echol Silver are supplied.

<u>Parts No.</u>	<u>Description</u>
977620-10070	1 ℓ (can)
977620-40070	4 ℓ (can)
977620-30071	Spray, one

KM2-C 断面図
KM2-C SECTIONAL VIEW



KM2 P 断面図
KM2P SECTIONAL VIEW



CONTENTS

MODEL : 2GM20
PC NO : 0CF10-G50502

Fig.No.	GROUP NAME
2GM20	
1.	CYLINDER BLOCK
2.	CYLINDER BLOCK
3.	GEAR HOUSING
4.	GEAR HOUSING
5.	LUB. OIL SUMP
6.	FLYWHEEL HOUSING
7.	FLYWHEEL HOUSING
8.	MAIN BEARING HOUSING
9.	BREATHER
10.	LABEL
11.	ENGINE LIFTER
12.	ENGINE LIFTER
13.	ENGINE BRACKET
14.	ENGINE BRACKET
15.	FLEXIBLE MOUNT
16.	ANTI-CORROSIVE ZINC
17.	CYLINDER HEAD
18.	CYLINDER HEAD
19.	BONNET
20.	AIR INTAKE SILENCER
21.	MIXING ELBOW
22.	MIXING ELBOW
23.	CAMSHAFT
24.	CAMSHAFT
25.	CRANKSHAFT & FLYWHEEL
26.	PISTON
27.	CONNECTING ROD
28.	LUB. OIL PUMP
29.	LUB. OIL DIPSTICK

Fig.No.	GROUP NAME
30.	LUB. OIL STRAINER
31.	L.O.PRESS.REGULATING VALVE
32.	LUB. OIL LINE
33.	COOLING SEA WATER PUMP
34.	COOLING SEA WATER PUMP
35.	COOLING FRESH WATER PUMP
36.	COOLING FRESH WATER COOLER
37.	SUBTANK
38.	KINGSTON COCK
39.	COOLING SEA WATER LINE
40.	COOLING FRESH WATER LINE
41.	THERMOSTAT
42.	THERMOSTAT
43.	COOLING SEA WATER LINE(OPTIONAL)
44.	FUEL INJECTION PUMP
45.	FUEL FEED PUMP
46.	FUEL INJECTION VALVE
47.	FUEL STRAINER
48.	FUEL STRAINER
49.	FUEL INJECTION LINE
50.	FUEL INJECTION LINE
51.	FUEL LINE
52.	FUEL LINE
53.	FUEL RETURN LINE
54.	GOVERNOR DRIVING
55.	CONTROL DEVICE
56.	IDLE ADJUSTER
57.	FUEL CONTROL DEVICE
58.	ENGINE STOP DEVICE
59.	SPEED REMOTE CONTROL

CONTENTS

MODEL : 2GM20
PC NO : 0CF10-G50502

Fig.No. GROUP NAME

- 60. SPEED REMOTE CONTROL
- 61. HAND START
- 62. STARTING MOTOR
- 63. GENERATOR
- 64. GENERATOR
- 65. BATTERY SWITCH
- 66. WIRE HARNESS
- 67. CLUTCH
- 68. DUMPER DISK
- 69. TAPER COUPLING
- 70. CLUTCH REMOTE CONTROL
- 71. PANEL(A-TYPE)
- 72. TOOL
- 73. STARTING MOTOR COMPONENT PART
- 74. GENERATOR COMPONENT PART
- 75. MIXING ELBOW(OPTIONAL)
- 76. MIXING ELBOW(OPTIONAL)
- 77. LUB. OIL WASTE PUMP(OPTIONAL)
- 78. ELECTRIC BILGE PUMP(12,OPTIONAL)
- 79. KINGSTON COCK(OPTIONAL)
- 80. FUEL TANK(OPTIONAL)
- 81. ENGINE STOP CABLE(OPTIONAL)
- 82. TAPER COUPLING(OPTIONAL)
- 83. COUPLING(OPTIONAL)
- 84. STRAIGHT COUPLING(OPTIONAL)
- 85. SLIT COUPLING(OPTIONAL)
- 86. SINGLE LEVER CONTROL(OPTIONAL)
- 87. PANEL(B-TYPE)(OPTIONAL)
- 88. PANEL(B-TYPE,NEW,OPTIONAL)
- 89. PANEL(A-TYPE)(OPTIONAL)

Fig.No. GROUP NAME

- 90. EXTENSION WIRE(OPTIONAL)
- 91. SPECIAL TOOL(OPTIONAL)
- 92. REPAIR PART(OPTIONAL)
- 93. REPAIR PART(OPTIONAL)
- 94. GASKET SET(OPTIONAL)

KM2C

- 95. CLUTCH HOUSING
- 96. INPUT SHAFT & SUPPORT SHAFT
- 97. OUTPUT SHAFT
- 98. REMOTE CONTROL DEVICE

KM2P

- 99. TOOL(OPTIONAL)
- 100. CLUTCH HOUSING
- 101. INPUT SHAFT & SUPPORT SHAFT
- 102. OUTPUT SHAFT
- 103. REMOTE CONTROL DEVICE
- 104. TOOL(OPTIONAL)

KM3V

- 105. CLUTCH HOUSING
- 106. V-DRIVE HOUSING
- 107. INPUT SHAFT
- 108. SUPPORT SHAFT
- 109. OUTPUT SHAFT
- 110. V-DRIVE SHAFT
- 111. LUB. OIL COOLER
- 112. REMOTE CONTROL DEVICE
- 113. TOOL(OPTIONAL)

CONTENTS

MODEL : 2GM20
PC NO : 0CF10-G50502

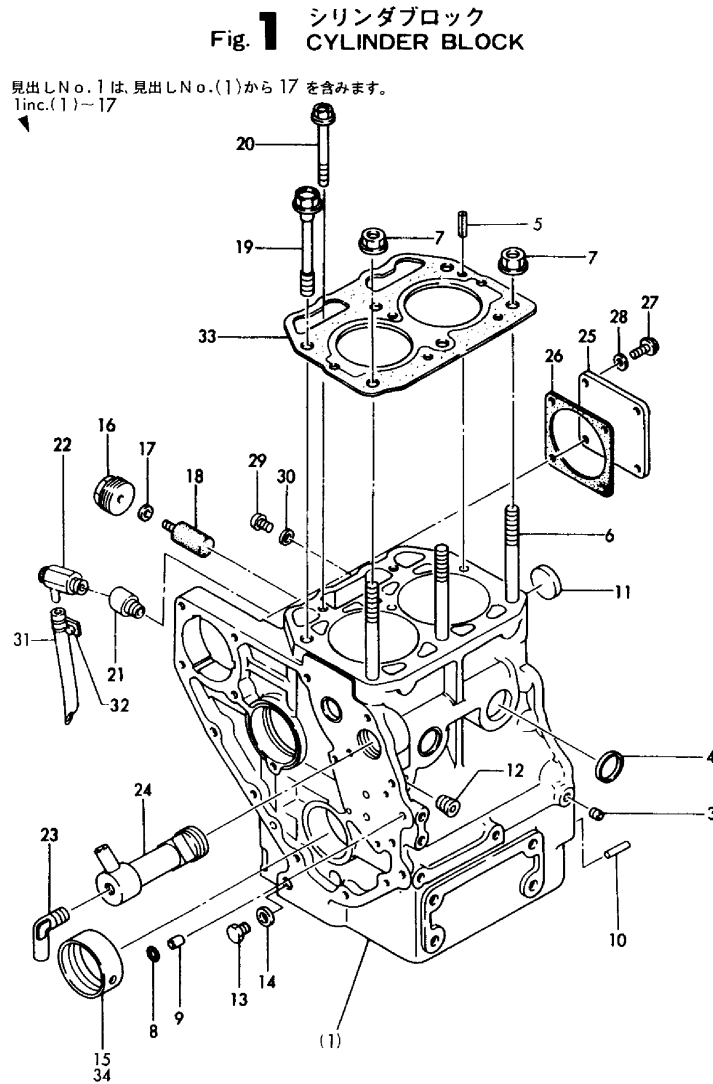
Fig.No. GROUP NAME

Fig.No. GROUP NAME

2GM20

114. SAFETY LABEL

Fig.1. CYLINDER BLOCK



見出しNo.1は、見出しNo.(1)から17を含みます。
Inc.(1)-17

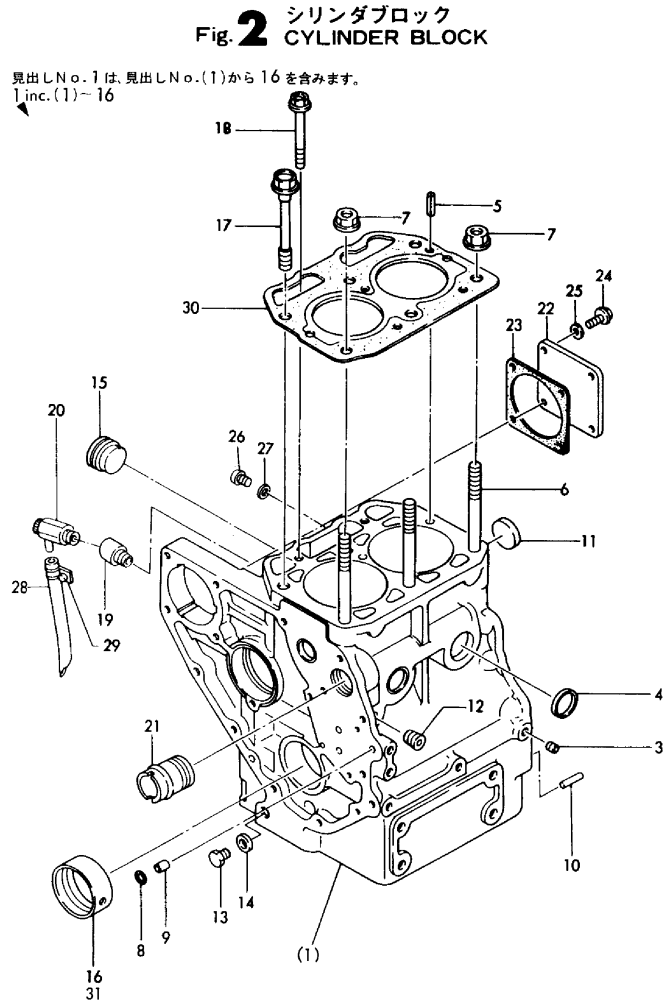
OCF10-G50502 1. CYLINDER BLOCK

(A)=2GM20
(B)=2GM20VE
(C)=2GM20B
(D)=2GM20C
(E)=2GM20F
(F)=2GM20FVE

REF.	LEV.	PARTS NO.	DESCRIPTION	QTY						I	R
				(A)	(B)	(C)	(D)	(E)	(F)		
1	1	728271-01560	BLOCK ASSY, CYLINDER	1	1	1	1				
3	2	124060-01050	PLUG, PT1/8	6	6	6	6				
4	2	105311-01090	PLUG 30 (SUS)	4	4	4	4				
5	2	22351-060012	SPRING PIN 6X12	2	2	2	2				Z
		(A=E0000) (C=E0000) (D=E0000)									
6	2	121450-01210	STUD, CYL. HEAD	3	3	3	3				
7	2	121450-01220	NUT, CYL. HEAD	3	3	3	3				
8	2	24311-000100	O-RING 1A P-10.0	2	2	2	2				
9	2	124085-01900	GUIDE, O-RING	2	2	2	2				
10	2	22312-080160	PARALLEL PIN 8X 16	2	2	2	2				
11	2	27243-300000	PLUG 30	1	1	1	1				
11-1	2	121450-01990	PLUG 30	1	1	1	1				N
		(A=E0000) (C=E0000) (D=E0000)									
12	2	23873-020000	PLUG PT 1/4	1	1	1	1				
13	2	121450-01960	PLUG PF1/4	1	1	1	1				
14	2	121450-01980	GASKET	1	1	1	1				
15	2	121450-02100	MAIN BEARING	1	1	1	1				
16	2	128270-09300	PLUG NPTF 1"	1	1	1	1				
17	2	123210-09310	PACKING	1	1	1	1				
18	2	27210-200300	ZINC, ANTI-CORROSIVE	1	1	1	1				
19	1	121450-01203	BOLT, CYL. HEAD	3	3	3	3				
20	1	129350-01230	BOLT, CYL. HEAD	2	2	2	2				
21	1	128270-01890	SPACER PT1/4	1	1	1	1				
22	1	120130-49350	COCK	1	1	1	1				
23	1	105583-49910	ELBOW (PT1/4)	1	1	1	1				
24	1	128270-01450	CONNECTOR, BY-PATH	1	1	1	1				
25	1	124240-01871	COVER, HO-P	1	1	1	1				
26	1	124950-26021	GASKET	1	1	1	1				
26-1	1	124240-01882	GASKET, HYD.OIL PUMP	1	1	1	1				N
		(A=E0000) (C=E0000) (D=E0000)									
I 26-2	1	124240-01883	GASKET, (NON-ASB.)	1	1	1	1				N
		(A=E16293) (C=E01046) (D=E01482)									
27	1	26106-080142	BOLT M 8X 14 PLATED	4	4	4	4				
28	1	23414-080000	GASKET 8, ROUND	4	4	4	4				
28-1	1	23414-080000	GASKET 8, ROUND	1	1	1	1				K
		(A=E01531) (C=E00141) (D=E00245)									
29	1	124060-32990	PLUG	1	1	1	1				Z
		(A=E0000) (C=E0000) (D=E0000)									
30	1	23414-080000	GASKET 8, ROUND	1	1	1	1				Z
		(A=E0000) (C=E0000) (D=E0000)									
31	1	23061-070200	PIPE 7X 200	1	1	1	1				
32	1	124460-77680	RETAINER	1	1	1	1				
33	1	128271-01330	GASKET, CYL. HEAD	1	1	1	1				
33-1	1	128271-01911	GASKET, CYL. HEAD	1	1	1	1				N
		(A=E08117) (C=E00494) (D=E00725)									
I 34	1	121450-02310	MAIN METAL 0.25US	1	1	1	1				1

Remarks
1) UNDER SIZED PART(0.25)

Fig.2. CYLINDER BLOCK



OCF10-G50502 2. CYLINDER BLOCK

(A)=2GM20 (D)=2GM20C
(B)=2GM20VE (E)=2GM20F
(C)=2GM20B (F)=2GM20FVE

REF.	LEV.	PARTS NO.	DESCRIPTION	Q'TY						I	R
				(A)	(B)	(C)	(D)	(E)	(F)		
1	1	728271-01560	BLOCK ASSY, CYLINDER					1	1		1
3	2	124060-01050	PLUG, PT1/8					6	6		
4	2	105311-01090	PLUG 30 (SUS)					4	4		
5	2	22351-060012	SPRING PIN 6X12					2			Z
				(E=EXXX)							
6	2	121450-01210	STUD, CYL. HEAD					3	3		
7	2	121450-01220	NUT, CYL. HEAD					3	3		
8	2	24311-000100	O-RING 1A P-10.0					2	2		
9	2	124085-01900	GUIDE, O-RING					2	2		
10	2	22312-080160	PARALLEL PIN 8X 16					2	2		
11	2	27243-300000	PLUG 30					1			
11-1	2	121450-01990	PLUG 30					1			N
				(E=EXXX)							
12	2	23873-020000	PLUG PT 1/4					1	1		
13	2	121450-01960	PLUG PF1/4					1	1		
14	2	121450-01980	GASKET					1	1		
15	2	171051-01921	PLUG					1	1		
16	2	121450-02100	MAIN BEARING					1	1		
17	1	121450-01203	BOLT, CYL. HEAD					3	3		
18	1	129350-01230	BOLT, CYL. HEAD					2	2		
19	1	128270-01890	SPACER PT1/4					1	1		
20	1	120130-49350	COCK					1	1		
21	1	124160-49480	JOINT, PIPE					1	1		
22	1	124240-01871	COVER, HO-P					1	1		
23	1	124240-01882	GASKET, HYD.OIL PUMP					1			
23-1	1	124240-01883	GASKET, (NON-ASB.)					1			N
				(E=E16283)							
24	1	26106-080142	BOLT M 8X 14 PLATED					4	4		
25	1	23414-080000	GASKET 8, ROUND					4			
25-1	1	23414-080000	GASKET 8, ROUND					1	1		K
				(E=E01250)							
26	1	124060-32990	PLUG					1			Z
				(E=EXXX)							
27	1	23414-080000	GASKET 8, ROUND					1			Z
				(E=EXXX)							
28	1	23061-070200	PIPE 7X 200					1	1		
29	1	124460-77680	RETAINER					1	1		
30	1	128271-01330	GASKET, CYL. HEAD					1			
30-1	1	128271-01911	GASKET,CYL.HEAD					1			N
				(E=E07898)							
31	1	121450-02310	MAIN BEARING 0.25US					1	1		2

Remarks

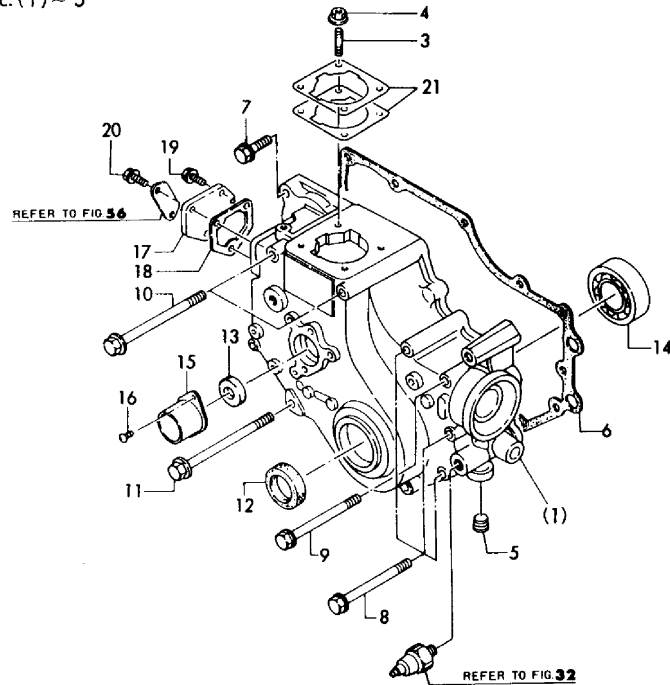
1)CYLINDER BLOCK ASSY OF MODEL 2GM20F IS SUPPLIED AS MODEL 2GM20. ALTHOUGH COMPONENT PARTS ARE PARTLY DIFFERET BUT INTERCHANGEABLE.

2)UNDER SIZED PART(0.25)

Fig.3. GEAR HOUSING

Fig.3 ギヤケース
GEAR HOUSING

見出しNo. 1は、見出しNo. (1)から5を含みます。
1 inc. (1) ~ 5



OCF10-G50502 3. GEAR HOUSING

(A)=2GM20
(B)=2GM20VE
(C)=2GM20B

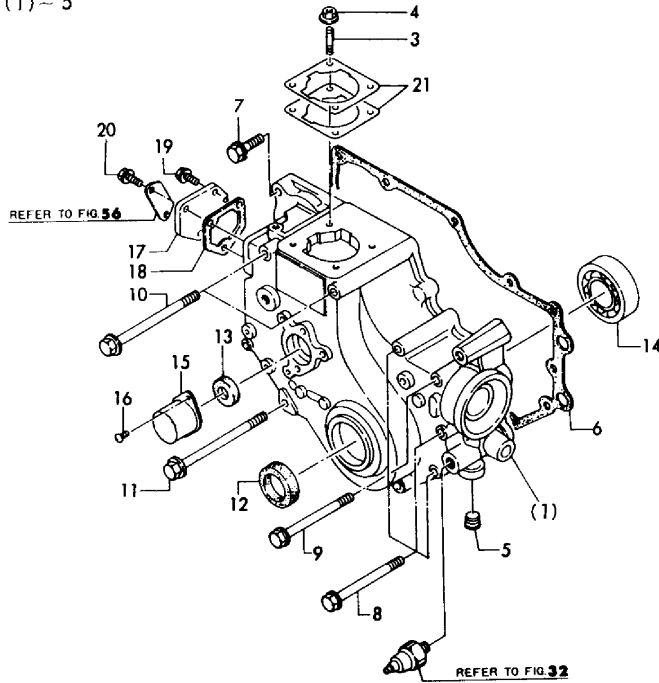
(D)=2GM20C
(E)=2GM20F
(F)=2GM20FVE

REF.	LEV.	PARTS NO.	DESCRIPTION	Q'TY						I	R
				(A)	(B)	(C)	(D)	(E)	(F)		
1	1	728270-01610	HOUSING ASSY, GEARS	1	1		1				
3	2	121450-01560	STUD M 8X 22	4			4				
3-1	2	26216-080222	STUD M 8X 22 PLATED	4			4				N
4	2	26366-080002	NUT M 8	4	4		4				
5	2	124060-01050	PLUG, PT1/8	1	1		1				
6	1	121575-01510	GASKET, GEAR HOUSING	1			1				
I 6-1	1	121575-01511	GASKET, (NON-ASB.)	1			1				N
7	1	26106-080302	BOLT M 8X 30 PLATED	2	2		2				
8	1	26106-080852	BOLT M 8X 85 PLATED	5	5		5				
9	1	26106-080902	BOLT M 8X 90 PLATED	1	1		1				
10	1	26106-081152	BOLT M 8X115 PLATED	2	2		2				
11	1	26106-081152	BOLT M 8X115 PLATED	2	2		2				
12	1	121450-01800	SEAL, OIL	1			1				
I 12-2	1	121450-01801	SEAL TC25 40 8, OIL	1			1				N
13	1	128270-01820	SEAL SC16 28 6, OIL	1	1		1				
14	1	24101-063050	BALL BEARING	1	1		1				
15	1	128170-01830	COVER, BLIND	1	1		1				
16	1	26557-060102	SCREW M 6X 10	2	2		2				
17	1	121000-01850	COVER, CYL BLOCK	1	1		1				
18	1	121575-01860	GASKET, COVER	1			1				
I 18-1	1	121575-01861	GASKET, (NON-ASB.)	1			1				N
19	1	26106-060122	BOLT M 6X 12 PLATED	1	1		1				
20	1	26106-060142	BOLT M 6X 14 PLATED	2	2		2				
21	1	124950-01951	SHIM SET	1	1		1				

Fig.4. GEAR HOUSING

Fig.4 ギヤケース
GEAR HOUSING

見出しNo. 1は、見出しNo. (1)から5を含みます。
1 inc. (1) ~ 5



OCF10-G50502 4. GEAR HOUSING

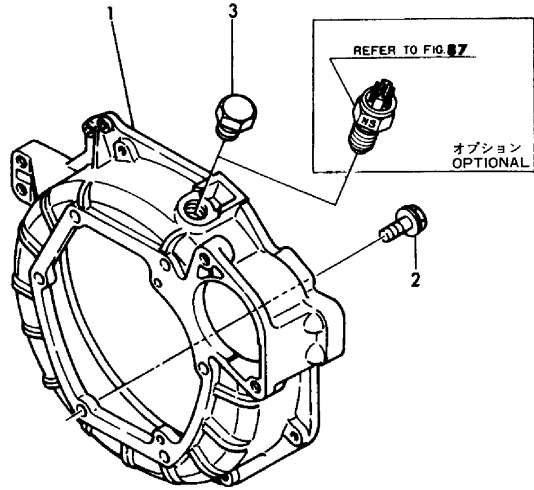
(A)=2GM20
(B)=2GM20VE
(C)=2GM20B

(D)=2GM20C
(E)=2GM20F
(F)=2GM20FVE

REF.	LEV.	PARTS NO.	DESCRIPTION	Q'TY						I	R
				(A)	(B)	(C)	(D)	(E)	(F)		
1	1	728270-01610	HOUSING ASSY, GEARS			1		1			
3	2	121450-01560	STUD M 8X 22			4		4			
4	2	26366-080002	NUT M 8			4		4			
5	2	124060-01050	PLUG, PT1/8			1		1		1	
6	1	121575-01510	GASKET, GEAR HOUSING			1		1			
I 6-1	1	121575-01511	GASKET, (NON-ASB.)			1		1			N
			(C=E01277)					(E=E17941)			
7	1	26106-080302	BOLT M 8X 30 PLATED			2		2		2	
8	1	26106-080852	BOLT M 8X 85 PLATED			5		5		5	
9	1	26106-080902	BOLT M 8X 90 PLATED			1		1		1	
10	1	26106-081152	BOLT M 8X115 PLATED			2		2		2	
11	1	26106-081152	BOLT M 8X115 PLATED			2		2		2	
12	1	121450-01800	SEAL, OIL					1			
12-1	1	121450-01800	SEAL, OIL			1		1			N
			(C=E01263)					(E=EXXX)			
I 12-2	1	121450-01801	SEAL TC25 40 8, OIL			1		1			N
			(C=E01277)					(E=E17887)			
13	1	128270-01820	SEAL SC16 28 6, OIL			1		1		1	
14	1	24101-063050	BALL BEARING			1		1		1	
15	1	128670-01830	COVER, BLIND			1		1		1	
16	1	26557-060102	SCREW M 6X 10			2		2		2	
17	1	121000-01850	COVER, CYL BLOCK			1		1		1	
18	1	121575-01860	GASKET, COVER			1		1			
I 18-1	1	121575-01861	GASKET, (NON-ASB.)			1		1			N
			(C=E01277)					(E=E17941)			
19	1	26106-060122	BOLT M 6X 12 PLATED			1		1		1	
20	1	26106-060142	BOLT M 6X 14 PLATED			2		2		2	
21	1	124950-01951	SHIM SET			1		1		1	

Fig.6. FLYWHEEL HOUSING

Fig.6 フライホイールハウジング
FLYWHEEL HOUSING



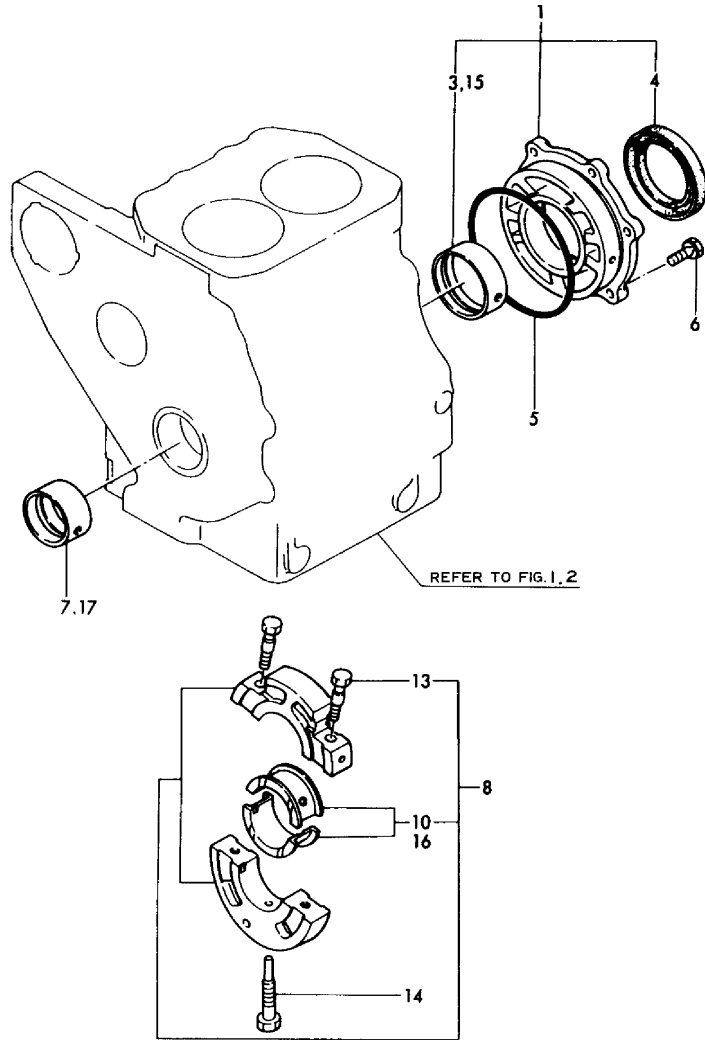
OCF10-G50502 6. FLYWHEEL HOUSING

(A)=2GM20 (D)=2GM20C
(B)=2GM20VE (E)=2GM20F
(C)=2GM20B (F)=2GM20FVE

REF.	LEV.	PARTS NO.	DESCRIPTION	Q'TY						I	R
				(A)	(B)	(C)	(D)	(E)	(F)		
1	1	128170-01600	FLANGE, MOUNTING	1	1	1		1			
2	1	26106-100252	BOLT M10X 25 PLATED	6	6	6		6			
3	1	23887-180002	PLUG 18	1	1	1		1			

Fig.8. MAIN BEARING HOUSING

Fig.8 メインメタル
MAIN BEARING HOUSING



OCF10-G50502 8. MAIN BEARING HOUSING

(A)=2GM20
(B)=2GM20VE
(C)=2GM20B

(D)=2GM20C
(E)=2GM20F
(F)=2GM20FVE

REF.	LEV.	PARTS NO.	DESCRIPTION	Q'TY						I	R
				(A)	(B)	(C)	(D)	(E)	(F)		
1	1	721450-02500	HOUSING ASSY,BEARING	1	1	1	1	1	1		
3	2	121450-02110	MAIN BEARING	1	1	1	1	1	1		
4	2	124085-02220	SEAL, OIL	1	1	1	1	1	1		
5	1	105225-02040	GASKET	1		1	1	1			
5-1	1	105225-02020	O-RING	1		1	1	1			N
		(A=EXXX)	(C=EXXX)	(D=EXXX)	(E=EXXX)						
6	1	26013-080202	BOLT W/WASHER M8X20	6	6	6	6	6	6		
7	1	121450-02100	MAIN BEARING	1	1	1	1	1	1		
8	1	721450-02612	HOUSING ASSY,BEARING	1	1	1	1	1	1		
10	2	121450-02160	MAIN BEARING (1)	1	1	1	1	1	1		
13	2	121450-02071	BOLT	2	2	2	2	2	2		
14	1	105225-02300	BOLT	1	1	1	1	1	1		
15	1	121450-02320	MAIN BEARING 0.25US	1	1	1	1	1	1		
16	1	121450-02370	MAIN BEARING 0.25US	1	1	1	1	1	1		
17	1	121450-02310	MAIN BEARING 0.25US	1	1	1	1	1	1		

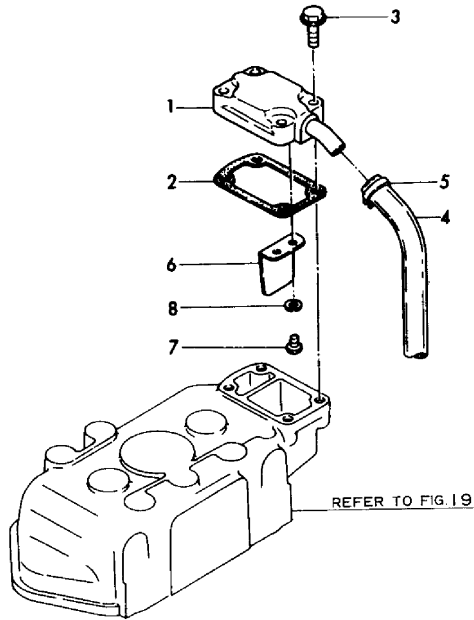
Fig.9. BREATHER

OCF10-G50502 9. BREATHER

(A)=2GM20
(B)=2GM20VE
(C)=2GM20B

(D)=2GM20C
(E)=2GM20F
(F)=2GM20FVE

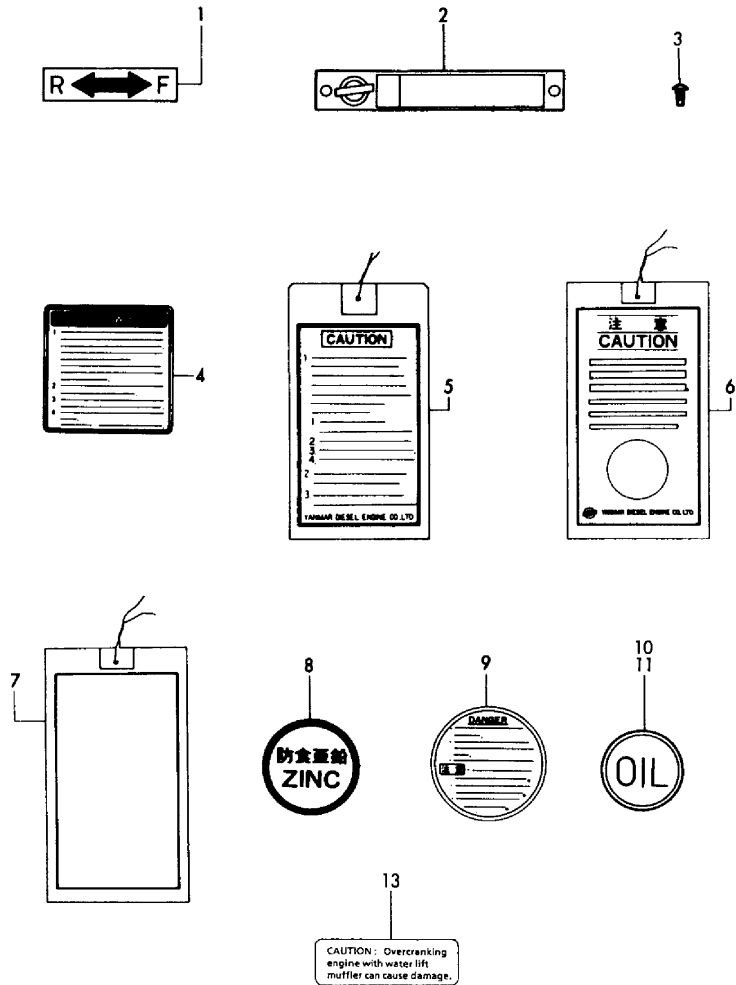
Fig.9 ブリーザ
BREATHER



REF.	LEV.	PARTS NO.	DESCRIPTION	Q'TY						I	R
				(A)	(B)	(C)	(D)	(E)	(F)		
1	1	121000-03020	COVER, BREATHER	1	1	1	1	1	1		
2	1	121000-03070	GASKET	1	1	1	1	1	1		
3	1	26106-060252	BOLT M 6X 25 PLATED	4	4	4	4	4	4		
4	1	124000-03200	PIPE, BREATHER	1	1	1	1	1	1		
5	1	23080-013000	CLAMP 13,HOSE	2	2	2	2	2	2		
6	1	121000-03080	PLATE, SHELTER	1	1	1	1	1	1		
7	1	26557-050102	SCREW M 5X 10	2	2	2	2	2	2		
8	1	22217-050000	SPRING WASHER 5	2	2	2	2	2	2		

Fig.10. LABEL

Fig. 10 銘板 LABEL



OCF10-G50502 10. LABEL

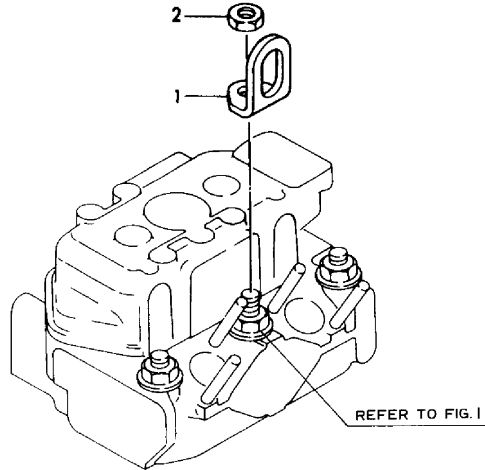
(A)=2GM20
(B)=2GM20VE
(C)=2GM20B

(D)=2GM20C
(E)=2GM20F
(F)=2GM20FVE

REF.	LEV.	PARTS NO.	DESCRIPTION	Q'TY						I	R
				(A)	(B)	(C)	(D)	(E)	(F)		
1	1	177088-02430	LABEL	1	1	1		1	1		
2	1	105582-07061	LABEL			1					
3	1	102210-07990	RIVET			2					
4	1	127611-07350	LABEL						1		
4-1	1	129198-07350	LABEL						1		N
				(E=E15069)							
5	1	126630-07370	LABEL						1	1	
6	1	123682-07850	LABEL						1	1	
7	1	128170-07850	LABEL, CAUTION	1	1		1				
8	1	124220-09340	LABEL	2	2	2	2				
9	1	120445-44620	PLATE						1	1	
10	1	42222-003550	LABEL	1		1			1		Z
				(A=E15069)		(E=E15069)					
11	1	42222-003550	LABEL				2				W
				(A=E15069)		(E=E15069)					
I 13	1	128171-07150	LABEL	1			1	1	1		W
				(A=E21461)		(D=E02191)		(E=E21466)			

Fig.11. ENGINE LIFTER

Fig. 11 吊り上げ金具
ENGINE LIFTER



OCF10-G50502 11. ENGINE LIFTER

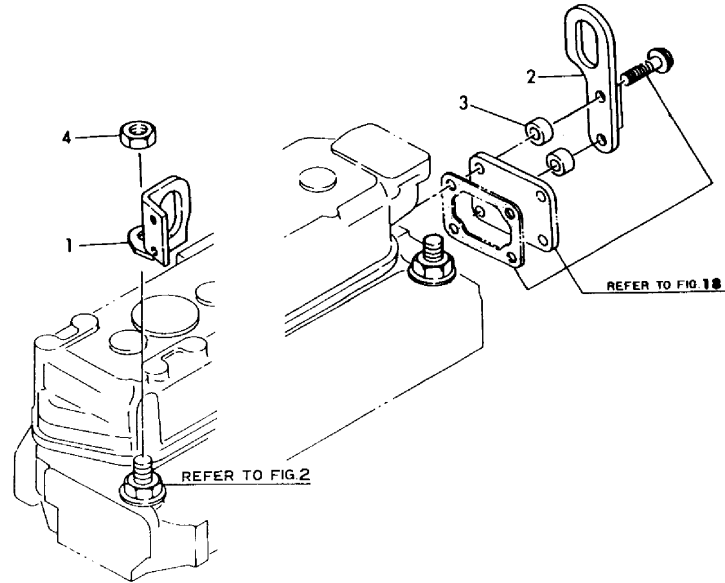
(A)=2GM20
(B)=2GM20VE
(C)=2GM20B

(D)=2GM20C
(E)=2GM20F
(F)=2GM20FVE

REF.	LEV.	PARTS NO.	DESCRIPTION	Q'TY						I	R
				(A)	(B)	(C)	(D)	(E)	(F)		
1	1	121575-07230	LIFTER, ENGINE	1	1	1	1				
2	1	26776-120002	LOCK NUT M12 PLATED	1	1	1	1				

Fig.12. ENGINE LIFTER

Fig. 12 吊り上げ金具
ENGINE LIFTER



OCF10-G50502 12. ENGINE LIFTER

(A)=2GM20
(B)=2GM20VE
(C)=2GM20B

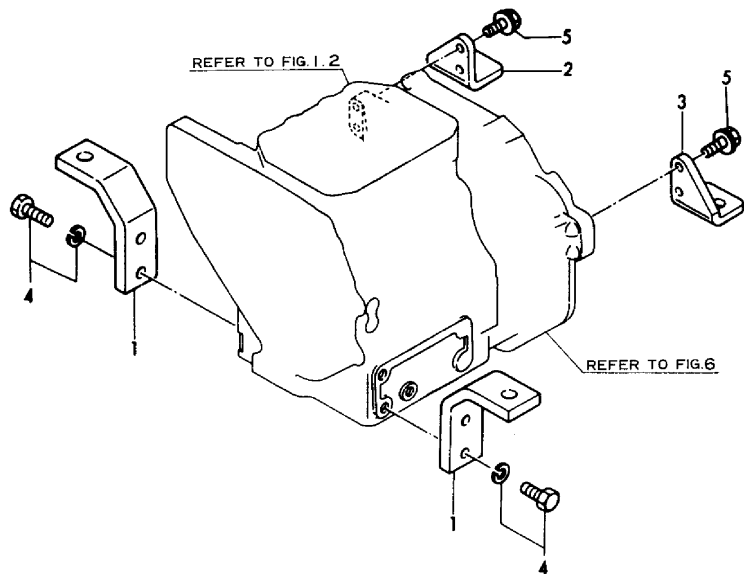
(D)=2GM20C
(E)=2GM20F
(F)=2GM20FVE

REF.	LEV.	PARTS NO.	DESCRIPTION	Q'TY						I	R	
				(A)	(B)	(C)	(D)	(E)	(F)			
1	1	128695-07230	LIFTER, ENGINE					1			1	
2	1	121575-07240	LIFTER, ENGINE					1			1	
3	1	123372-03150	SPACER					2			2	
4	1	129305-07950	NUT					1				
4-1	1	26776-120002	LOCK NUT M12 PLATED					1				N

(E=EXXX)

Fig.13. ENGINE BRACKET

Fig. 13 マウンティングフット
ENGINE BRACKET



(A)=2GM20
(B)=2GM20VE
(C)=2GM20B

(D)=2GM20C
(E)=2GM20F
(F)=2GM20FVE

REF.	LEV.	PARTS NO.	DESCRIPTION	Q'TY						I	R	
				(A)	(B)	(C)	(D)	(E)	(F)			
1	1	128170-08100	BRACKET (A), ENGINE	2	2	2		2	2			
2	1	128170-08120	BRACKET (A), REAR	1	1	1		1	1			
3	1	128170-08130	BRACKET(B), REAR	1	1	1		1	1			
4	1	26013-120302	BOLT W/WASHER M12X30	4	4	4		4	4			
5	1	26103-100252	BOLT M10X25	4		4		4				
5-1	1	26106-100252	BOLT M10X 25 PLATED	4		4		4			N	
(A=E XXX)				(C=E XXX)				(E=E XXX)				

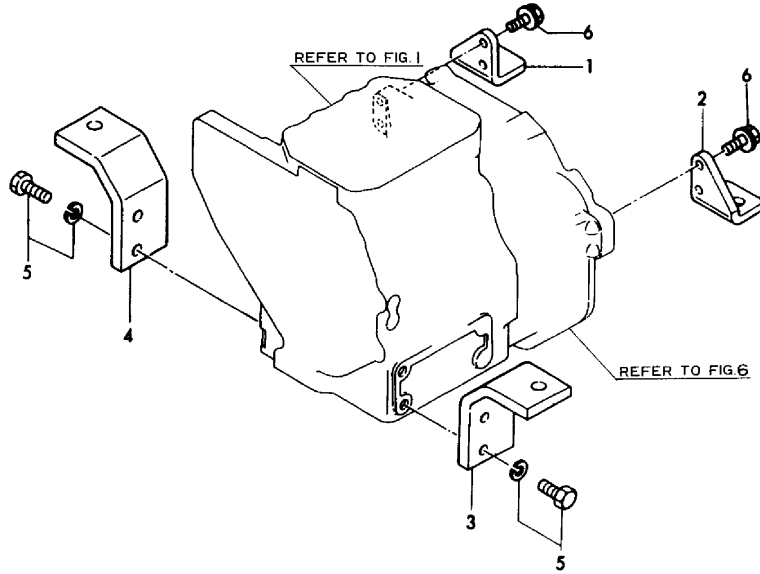
Fig.14. ENGINE BRACKET

OCF10-G50502 14. ENGINE BRACKET

(A)=2GM20
(B)=2GM20VE
(C)=2GM20B

(D)=2GM20C
(E)=2GM20F
(F)=2GM20FVE

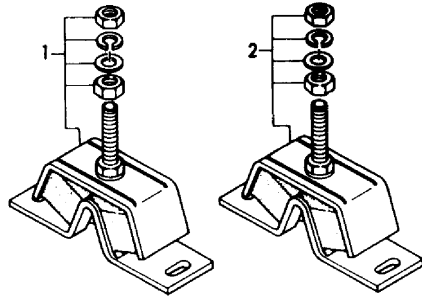
Fig. 14 マウンティングフット
ENGINE BRACKET



REF.	LEV.	PARTS NO.	DESCRIPTION	Q'TY						I	R	
				(A)	(B)	(C)	(D)	(E)	(F)			
1	1	128170-08120	BRACEKT (A), REAR				1					
2	1	128170-08130	BRACKET(B), REAR				1					
3	1	128271-08150	BRACKET A, ENGINE				1					
4	1	128271-08160	BRACKET B, ENGINE				1					
5	1	26013-120302	BOLT W/WASHER M12X30				4					
6	1	26106-100252	BOLT M10X 25 PLATED				4					

Fig.15. FLEXIBLE MOUNT

Fig. 15 フレキシブルマウント
FLEXIBLE MOUNT



OCF10-G50502 15. FLEXIBLE MOUNT

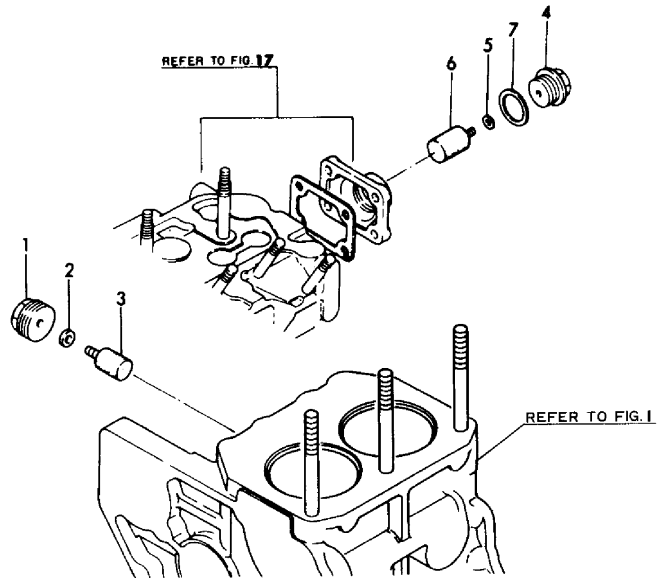
(A)=2GM20
(B)=2GM20VE
(C)=2GM20B

(D)=2GM20C
(E)=2GM20F
(F)=2GM20FVE

REF.	LEV.	PARTS NO.	DESCRIPTION	Q'TY						I	R
				(A)	(B)	(C)	(D)	(E)	(F)		
1	1	124772-08341	MOUNTING, FLEXIBLE	2	4	2	2	2	4		
2	1	128270-08341	MOUNTING, FLEXIBLE	2		2	2	2			

Fig.16. ANTI-CORROSIVE ZINC

Fig. 16 防食亜鉛 ANTI-CORROSIVE ZINC



OCF10-G50502 16. ANTI-CORROSIVE ZINC

(A)=2GM20
(B)=2GM20VE
(C)=2GM20B

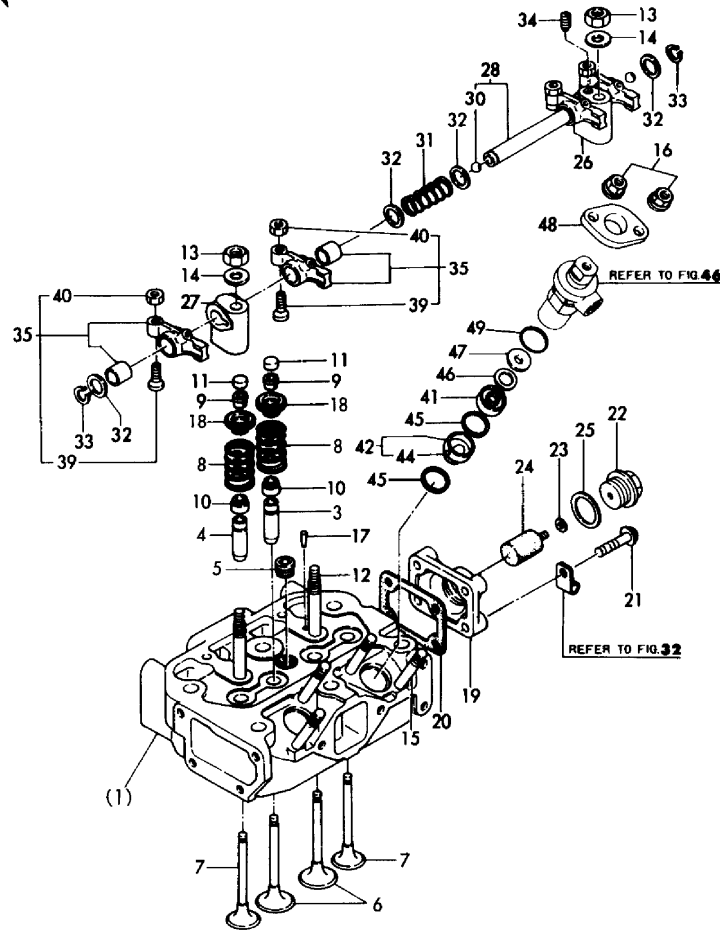
(D)=2GM20C
(E)=2GM20F
(F)=2GM20FVE

REF.	LEV.	PARTS NO.	DESCRIPTION	Q'TY						I	R
				(A)	(B)	(C)	(D)	(E)	(F)		
1	2	128270-09300	PLUG NPTF 1"	1	1	1	1				
2	2	123210-09310	PACKING	1	1	1	1				
3	2	27210-200300	ZINC, ANTI-CORROSIVE	1	1	1	1				
4	2	122780-09320	PLUG	1	1	1	1				
5	2	123210-09310	PACKING	1	1	1	1				
6	2	27210-200300	ZINC, ANTI-CORROSIVE	1	1	1	1				
7	2	23414-250000	PACKING 25, ROUND	1	1	1	1				

Fig.17. CYLINDER HEAD

Fig. 17 シリンダヘッド
CYLINDER HEAD

見出しNo. 1は、見出しNo. (1)から25を含みます。
↑inc.(1)~25

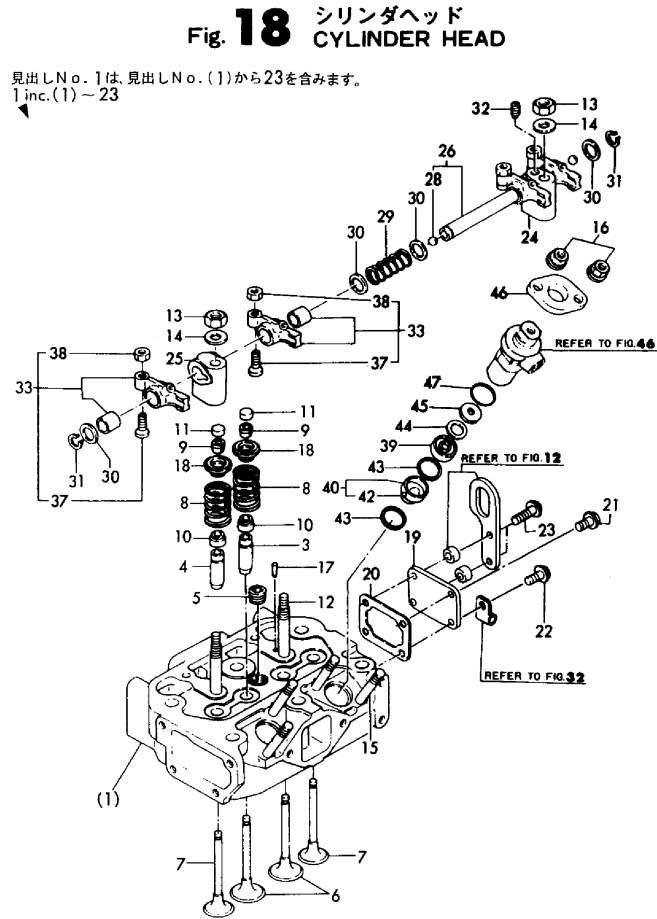


(A)=2GM20
(B)=2GM20VE
(C)=2GM20B

(D)=2GM20C
(E)=2GM20F
(F)=2GM20FVE

REF.	LEV.	PARTS NO.	DESCRIPTION	Q'TY						I	R
				(A)	(B)	(C)	(D)	(E)	(F)		
1	1	728272-11700	HEAD ASSY, CYLINDER	1	1	1	1				
3	3	124060-11160	GUIDE, VALVE	2	2	2	2				
4	3	128272-11170	GUIDE, VALVE	2	2	2	2				
5	3	23871-030000	PLUG PT3/8,SCREW	1	1	1	1				
6	2	105225-11100	VALVE, SUCTION	2	2	2	2				
7	2	105225-11110	VALVE, EXHAUST	2	2	2	2				
8	2	121575-11121	SPRING, VALVE	4	4	4	4				
9	2	101158-11190	COTTER	8	8	8	8				
10	2	124950-11340	SEAL, VALVE STEM	4	4	4	4				
11	2	104211-11370	CAP, VALVE	4	4	4	4				
12	2	105225-11350	STUD, SUPPORT	2	2	2	2				
13	2	26696-100002	NUT M10	2	2	2	2				
14	2	22137-100000	WASHER 10,POLISHED	2	2	2	2				
15	2	26216-080652	STUD M 8X 65 PLATED	4	4	4	4				
16	2	26366-080002	NUT M 8	4	4	4	4				
17	2	121000-11050	PIN 4.5X10	1	1	1	1				
18	2	104200-11180	RETAINER, SPRING	4	4	4	4				
19	2	121575-11670	COVER	1	1	1	1				
20	2	121450-11680	GASKET, COVER	1			1				
I 20-1	2	121450-11681	GASKET, (NON-ASB.)	1			1				N
		(A=E17944)	(C=E01277)	(D=E01641)							
21	2	26106-080302	BOLT M 8X 30 PLATED	4	4	4	4				
22	2	122780-09320	PLUG	1	1	1	1				
23	2	123210-09310	PACKING	1	1	1	1				
24	2	27210-200300	ZINC, ANTI-CORROSIVE	1	1	1	1				
25	2	23414-250000	PACKING 25, ROUND	1	1	1	1				
26	1	121450-11260	SUPPORT, ROCKER ARM	1	1	1	1				
27	1	121450-11270	SUPPORT, ROCKER ARM	1	1	1	1				
28	1	124000-11240	SHAFT, ROCKER ARM	1	1	1	1				
30	2	24190-110001	BALL 11/32, STEEL	2	2	2	2				
31	1	121550-11280	SPRING	1	1	1	1				
32	1	121550-11290	WASHER	4	4	4	4				
33	1	22242-000140	CIRCLIP 14	2	2	2	2				
34	1	26921-080102	SET SCREW M 8X 10	1	1	1	1				
35	1	724085-11650	ARM ASSY, ROCKER	4	4	4	4				
39	2	101158-11230	SCREW, VALVE	4	4	4	4				
40	2	26756-080002	LOCK NUT M 8 PLATED	4	4	4	4				
41	1	128275-11410	CHAMBER, REAR	2	2	2	2				
42	1	105311-11420	CHAMBER, FRONT	2	2	2	2				
44	2	103338-11430	PIN	2	2	2	2				
45	1	124950-11450	GASKET, CHAMBER	4	4	4	4				
46	1	128275-11490	INSULATOR	2	2	2	2				
47	1	128275-11500	COVER	2	2	2	2				
48	1	101147-11900	FLANGE	2	2	2	2				
49	1	24341-000260	O-RING 1A S-26.0	2	2	2	2				

Fig.18. CYLINDER HEAD



Remarks

1) CYLINDER HEAD ASSY OF MODEL 2GM20F IS SUPPLIED AS MODEL 2GM20. ALTHOUGH COMPONENT PARTS ARE PARTLY DIFFERET, BUT INTERCHANGEABLE.

(A)=2GM20
(B)=2GM20VE
(C)=2GM20B

(D)=2GM20C
(E)=2GM20F
(F)=2GM20FVE

REF.	LEV.	PARTS NO.	DESCRIPTION	Q'TY						I	R
				(A)	(B)	(C)	(D)	(E)	(F)		
1	1	728272-11700	HEAD ASSY, CYLINDER					1	1		1
3	3	124060-11160	GUIDE, VALVE					2	2		
4	3	128272-11170	GUIDE, VALVE					2	2		
5	3	23871-030000	PLUG PT3/8,SCREW					1	1		
6	2	105225-11100	VALVE, SUCTION					2	2		
7	2	105225-11110	VALVE, EXHAUST					2	2		
8	2	121575-11121	SPRING, VALVE					4	4		
9	2	101158-11190	COTTER					8	8		
10	2	124950-11340	SEAL, VALVE STEM					4	4		
11	2	104211-11370	CAP, VALVE					4	4		
12	2	105225-11350	STUD, SUPPORT					2	2		
13	2	26696-100002	NUT M10					2	2		
14	2	22137-100000	WASHER 10,POLISHED					2	2		
15	2	26216-080652	STUD M 8X 65 PLATED					4	4		
16	2	26366-080002	NUT M 8					4	4		
17	2	121000-11050	PIN 4.5X10					1	1		
18	2	104200-11180	RETAINER, SPRING					4	4		
19	2	121450-11670	COVER					1	1		
20	2	121450-11680	GASKET, COVER					1			
I 20-1	2	121450-11681	GASKET, (NON-ASB.)					1			N
								(E=E17941)			
21	2	26106-080122	BOLT M 8X 12 PLATED					1	1		
22	2	26106-080142	BOLT M 8X 14 PLATED					1	1		
23	2	26106-080252	BOLT M 8X 25 PLATED					2	2		
24	1	121450-11260	SUPPORT, ROCKER ARM					1	1		
25	1	121450-11270	SUPPORT, ROCKER ARM					1	1		
26	1	124000-11240	SHAFT, ROCKER ARM					1	1		
28	2	24190-110001	BALL 11/32, STEEL					2	2		
29	1	121550-11280	SPRING					1	1		
30	1	121550-11290	WASHER					4	4		
31	1	22242-000140	CIRCLIP 14					2	2		
32	1	26921-080102	SET SCREW M 8X 10					1	1		
33	1	724085-11650	ARM ASSY, ROCKER					4	4		
37	2	101158-11230	SCREW, VALVE					4	4		
38	2	26756-080002	LOCK NUT M 8 PLATED					4	4		
39	1	128275-11410	CHAMBER, REAR					2	2		
40	1	105311-11420	CHAMBER, FRONT					2	2		
42	2	103338-11430	PIN					2	2		
43	1	124950-11450	GASKET, CHAMBER					4	4		
44	1	128275-11490	INSULATOR					2	2		
45	1	128275-11500	COVER					2	2		
46	1	101147-11900	FLANGE					2	2		
47	1	24341-000260	O-RING 1A S-26.0					2	2		

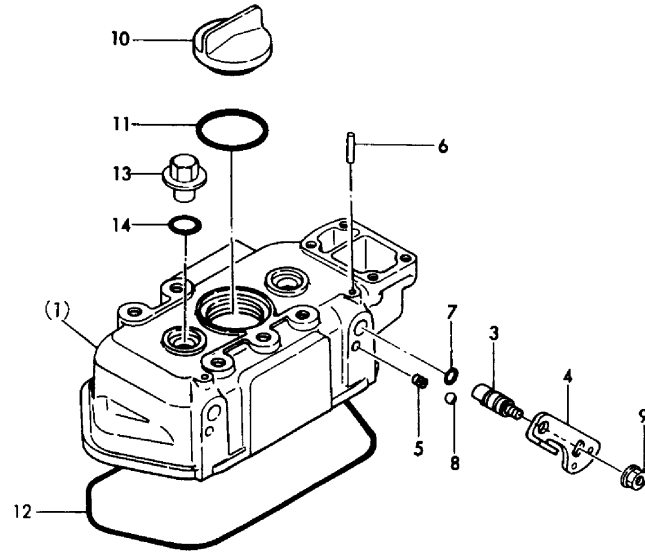
Fig.19. BONNET

(A)=2GM20
(B)=2GM20VE
(C)=2GM20B

(D)=2GM20C
(E)=2GM20F
(F)=2GM20FVE

Fig. 19 ボンネット
BONNET

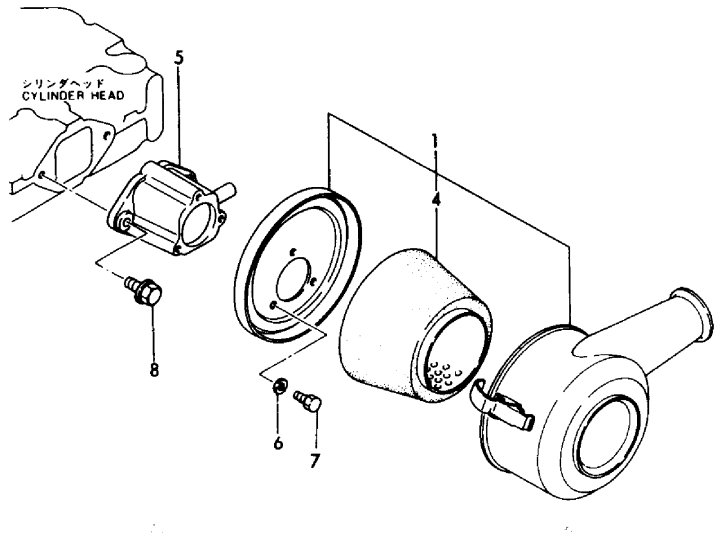
見出しNo. 1は、見出しNo. (1)から12を含みます。
1 inc. (1) ~ 12



REF.	LEV.	PARTS NO.	DESCRIPTION	Q'TY						I	R
				(A)	(B)	(C)	(D)	(E)	(F)		
1	1	728270-11520	BONNET ASSY, HEAD	1	1	1	1	1	1		
3	2	128270-03610	SHAFT, DECOMPRESSION	2	2	2	2	2	2		
4	2	128270-03750	LEVER, DECOMPRESSION	2	2	2	2	2	2		
5	2	128270-03640	SPRING	2	2	2	2	2	2		
6	2	22312-030220	PARALLEL PIN 3X22	2	2	2	2	2	2		
7	2	24311-000070	O-RING 1A P-7.0	2	2	2	2	2	2		
8	2	24190-080001	BALL 1/4, STEEL	2	2	2	2	2	2		
9	2	26366-060002	NUT M 6	2	2	2	2	2	2		
10	2	124160-01751	CAP, LUB.OIL SUPPLY	1	1	1	1	1	1		
11	2	24321-000350	O-RING 1A G-35.0	1	1	1	1	1	1		
12	2	128270-11310	GASKET, BONNET	1	1	1	1	1	1		
13	1	124160-11360	KNOB	2	2	2	2	2	2		
14	1	24311-000120	O-RING 1A P 12.0	2	2	2	2	2	2		

Fig.20. AIR INTAKE SILENCER

Fig. 20 吸気サイレンサ
AIR INTAKE SILENCER



OCF10-G50502 20. AIR INTAKE SILENCER

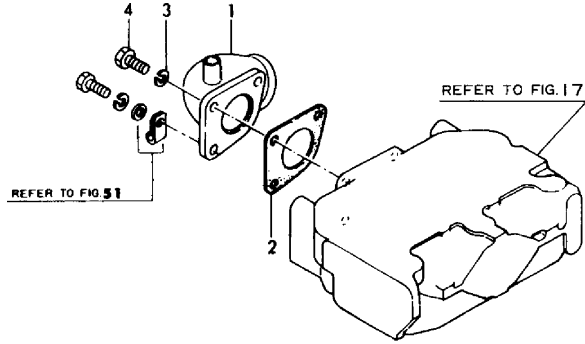
(A)=2GM20
(B)=2GM20VE
(C)=2GM20B

(D)=2GM20C
(E)=2GM20F
(F)=2GM20FVE

REF.	LEV.	PARTS NO.	DESCRIPTION	Q'TY						I	R
				(A)	(B)	(C)	(D)	(E)	(F)		
1	1	128270-12500	SILENCER, AIR INTAKE	1	1	1	1	1	1		
4	2	128270-12540	ELEMENT, SILENCER	1	1	1	1	1	1		
5	1	128270-12700	PIPE, AIR INTAKE	1	1	1	1	1	1		
6	1	22117-060000	WASHER 6	3	3	3	3	3	3		
7	1	26013-060142	BOLT M 6X 14	3	3	3	3	3	3		
8	1	26106-080182	BOLT M 8X 18 PLATED	2	2	2	2	2	2		

Fig.21. MIXING ELBOW

Fig. 21 ミキシングエルボ
MIXING ELBOW



OCF10-G50502 21. MIXING ELBOW

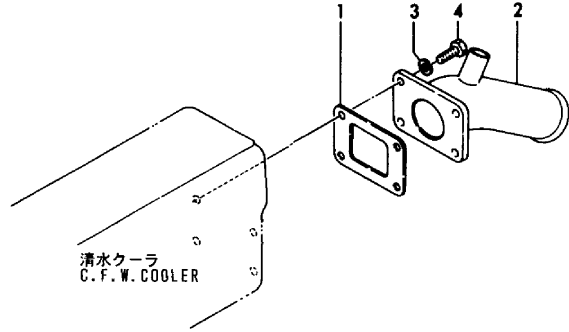
(A)=2GM20
(B)=2GM20VE
(C)=2GM20B

(D)=2GM20C
(E)=2GM20F
(F)=2GM20FVE

REF.	LEV.	PARTS NO.	DESCRIPTION	Q'TY						I	R
				(A)	(B)	(C)	(D)	(E)	(F)		
1	1	128170-13530	ELBOW, WATER MIXING	1	1	1	1				
2	1	128170-13200	GASKET	1		1	1				
I	2-1	128170-13201	GASKET, (NON-ASB.)	1		1	1				N
		(A=E17944)	(C=E01277)	(D=E01641)							
3	1	22217-080000	SPRING WASHER 8	3	3	3	3				
4	1	26115-080202	BOLT M 8X 20	3	3	3	3				

Fig.22. MIXING ELBOW

Fig.22 ミキシングエルボ
MIXING ELBOW



OCF10-G50502 22. MIXING ELBOW

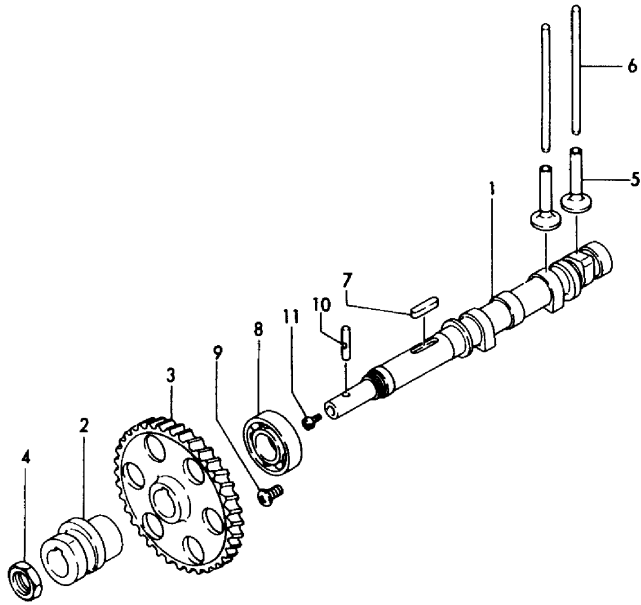
(A)=2GM20
(B)=2GM20VE
(C)=2GM20B

(D)=2GM20C
(E)=2GM20F
(F)=2GM20FVE

REF.	LEV.	PARTS NO.	DESCRIPTION	Q'TY						I	R
				(A)	(B)	(C)	(D)	(E)	(F)		
	1	128370-13200	GASKET						1		
I	1-1	128370-13201	GASKET, (NON-ASB.)						1		N
				(E=E17941)							
	2	128370-13530	ELBOW, WATER MIXING						1	1	
	3	22217-080000	WASHER M 8						4	4	
	4	26115-080202	BOLT M 8X 20						4		
	4-1	26203-080202	BOLT M 8X 20						4		N
				(E=E06654)							

Fig.23. CAMSHAFT

Fig. **23** カムシャフト
CAMSHAFT



OCF10-G50502 23. CAMSHAFT

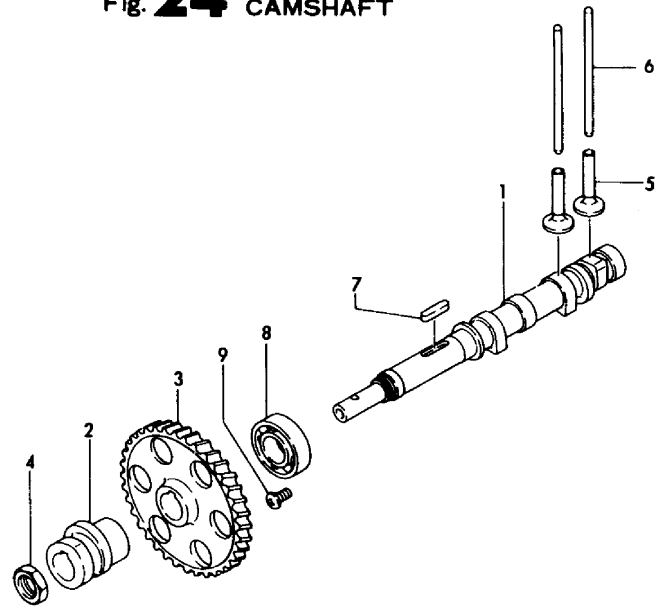
(A)=2GM20
(B)=2GM20VE
(C)=2GM20B

(D)=2GM20C
(E)=2GM20F
(F)=2GM20FVE

REF.	LEV.	PARTS NO.	DESCRIPTION	Q'TY						I	R
				(A)	(B)	(C)	(D)	(E)	(F)		
1	1	128270-14010	CAMSHAFT	1	1		1				
2	1	124000-14090	CAM, FUEL	1	1		1				
3	1	129350-14100	GEAR, CAMSHAFT	1	1		1				
4	1	128170-14150	NUT, CAM	1	1		1				
5	1	104200-14200	TAPPET	4	4		4				
6	1	121450-14400	ROD, PUSH	4	4		4				
7	1	22512-070300	KEY 7X 30	1	1		1				
8	1	24101-062054	BEARING #6205	1	1		1				
9	1	26587-080122	SCREW M 8X 12	1	1		1				
10	1	124070-14760	PIN	1	1		1				
11	1	26450-050102	BOLT M 5X 10	1	1		1				

Fig.24. CAMSHAFT

Fig. **24** カムシャフト
CAMSHAFT



OCF10-G50502 24. CAMSHAFT

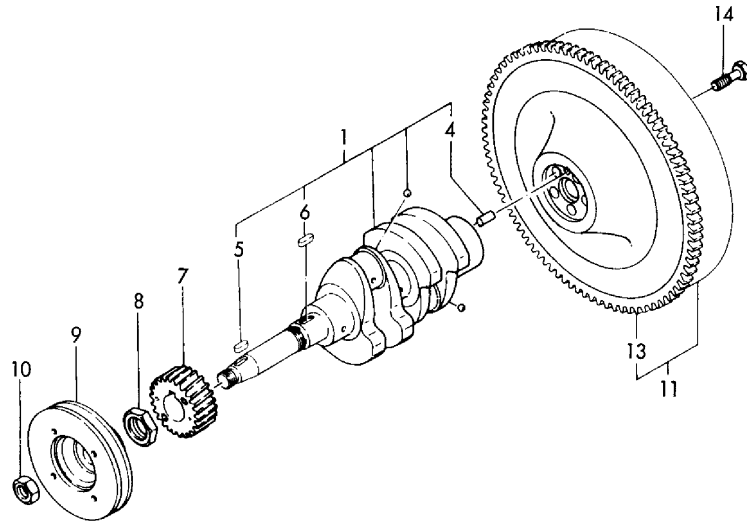
(A)=2GM20
(B)=2GM20VE
(C)=2GM20B

(D)=2GM20C
(E)=2GM20F
(F)=2GM20FVE

REF.	LEV.	PARTS NO.	DESCRIPTION	Q'TY						I	R
				(A)	(B)	(C)	(D)	(E)	(F)		
1	1	128270-14010	CAMSHAFT			1		1	1		
2	1	124000-14090	CAM, FUEL			1		1	1		
3	1	129350-14100	GEAR, CAMSHAFT			1		1	1		
4	1	128170-14150	NUT, CAM			1		1	1		
5	1	104200-14200	TAPPET			4		4	4		
6	1	121450-14400	ROD, PUSH			4		4	4		
7	1	22512-070300	KEY 7X 30			1		1	1		
8	1	24101-062054	BEARING #6205			1		1	1		
9	1	26587-080122	SCREW M 8X 12			1		1	1		

Fig.25. CRANKSHAFT & FLYWHEEL

Fig. **25** クランクシャフト&フライホイール
CRANKSHAFT & FLYWHEEL



OCF10-G50502 25. CRANKSHAFT & FLYWHEEL

(A)=2GM20
(B)=2GM20VE
(C)=2GM20B

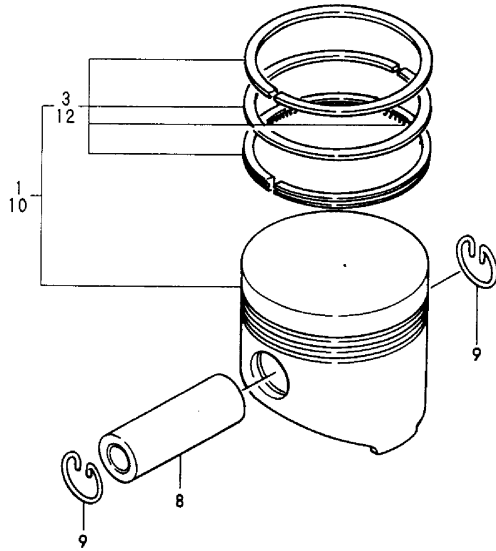
(D)=2GM20C
(E)=2GM20F
(F)=2GM20FVE

REF.	LEV.	PARTS NO.	DESCRIPTION	Q'TY						I	R
				(A)	(B)	(C)	(D)	(E)	(F)		
1	1	724085-21701	CRANKSHAFT ASSY	1	1	1	1	1	1		
4	2	22312-080160	PARALLEL PIN 8X 16	1	1	1	1	1	1		
5	2	22512-070180	KEY 7X 18	1	1	1	1	1	1		
6	2	22512-070180	KEY 7X 18	1	1	1	1	1	1		
7	1	129350-21200	GEAR, CRANKSHAFT	1	1	1	1	1	1		
8	1	121450-21540	NUT, CRANKSHAFT GEAR	1		1	1	1			
8-1	1	121450-21541	NUT, CRANKSHAFT GEAR	1		1	1	1			N
		(A=E08741)	(C=E08741)	(D=E08741)	(E=E08720)						
9	1	128270-21651	V-PULLEY	1	1	1	1	1	1		
10	1	26776-180002	NUT M18,LOCK	1	1	1	1	1	1		
11	1	128271-21590	FLYWHEEL W/RING GEAR	1	1	1	1	1	1		
13	2	124950-21600	GEAR, RING	1	1	1	1	1	1		
14	1	121574-21500	BOLT, REAMER	5	5	5	5	5	5		

Fig.26. PISTON

P/C NEWS No. Y00F5052-2
PUBLISHED:2000/11

Fig.26 ピストン
PISTON



OCF10-G50502 26. PISTON

(A)=2GM20
(B)=2GM20VE
(C)=2GM20B

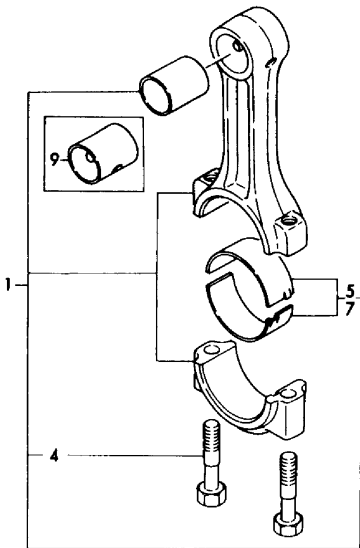
(D)=2GM20C
(E)=2GM20F
(F)=2GM20FVE

REF.	LEV.	PARTS NO.	DESCRIPTION	Q'TY						I	R
				(A)	(B)	(C)	(D)	(E)	(F)		
1	1	105311-22090	PISTON W/RINGS	2	2	2	2	2	2		
3	2	705311-22500	RING SET	2	2	2	2	2	2		
8	1	105225-22300	PIN, PISTON	2	2	2	2	2	2		
9	1	105225-22400	CIRCLIP	4	4	4	4	4	4		
I 10	1	128171-22250	PISTON W/RINGS OS.25	2	2	2	2	2	2		1
I 12	2	705325-22540	RING SET 025	2	2	2	2	2	2		1

Remarks
(1)OVER SIZED (O.S.=0.25) PART.

Fig.27. CONNECTING ROD

Fig.27 コネクティングロッド
CONNECTING ROD



OCF10-G50502 27. CONNECTING ROD

(A)=2GM20
(B)=2GM20VE
(C)=2GM20B

(D)=2GM20C
(E)=2GM20F
(F)=2GM20FVE

REF.	LEV.	PARTS NO.	DESCRIPTION	Q'TY						I	R
				(A)	(B)	(C)	(D)	(E)	(F)		
1	1	728171-23100	ROD ASSY, CONNECTING	2	2	2	2	2	2		
4	2	105225-23200	BOLT, ROD	4	4	4	4	4	4		
5	2	705311-23600	BEARING, CRANKPIN	2	2	2	2	2	2		
7	1	105311-23380	BEARING,PIN U.S=0.25	2	2	2	2	2	2		1
9	1	105225-23180	BUSH, PISTON PIN *	2	2	2	2	2	2		2

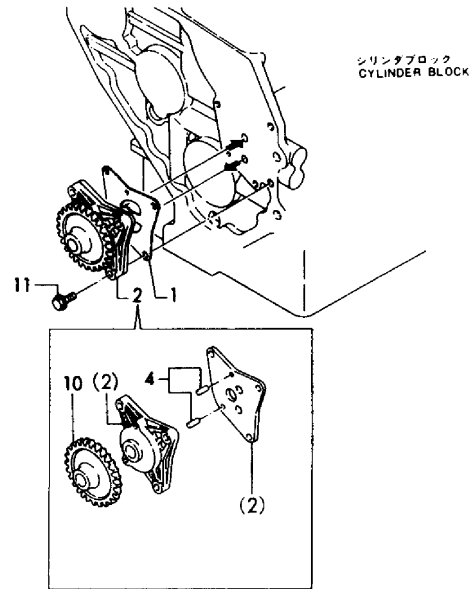
Remarks

- 1) UNDER-SIZED PART.
- 2) REPAIR PART.

Fig.28. LUB. OIL PUMP

OCF10-G50502 28. LUB. OIL PUMP

Fig.28 潤滑油ポンプ
LUB. OIL PUMP



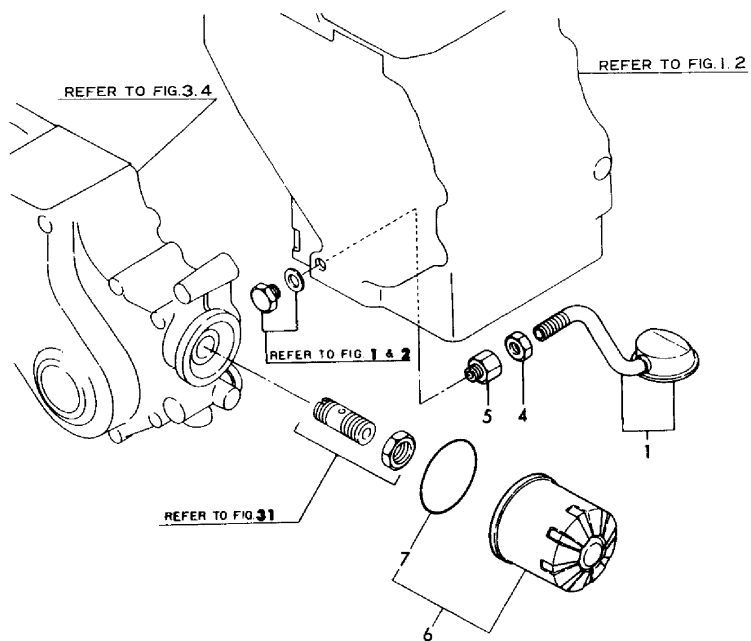
(A)=2GM20
(B)=2GM20VE
(C)=2GM20B

(D)=2GM20C
(E)=2GM20F
(F)=2GM20FVE

REF.	LEV.	PARTS NO.	DESCRIPTION	Q'TY						I	R
				(A)	(B)	(C)	(D)	(E)	(F)		
1	1	121450-32021	GASKET, L.O.PUMP	1	1	1	1	1	1		
2	1	121575-32090	PUMP ASSY, LUB OIL	1	1	1	1	1	1		
4	2	121450-32050	PARALLEL PIN	2	2	2	2	2	2		
4-1A	2	121450-32050 (A=E04634)	PARALLEL PIN (C=E00307) (D=E00492)	1	1	1	1	1	1	1	K
4-1B	2	121450-32060 (A=E04634)	PIN 4X8 (C=E00307) (D=E00492)	1	1	1	1	1	1	1	W
10	2	121450-32200	GEAR, LUB OIL PUMP	1	1	1	1	1	1	1	
11	1	26106-060202	BOLT M 6X 20 PLATED	3	3	3	3	3	3		
11-1	1	26013-060222 (A=E04634)	BOLT M 6X 22 (C=E00307) (D=E00492)	3	3	3	3	3	3	3	N

Fig.30. LUB. OIL STRAINER

Fig.30 潤滑油フィルタ
LUB. OIL STRAINER



OCF10-G50502 30. LUB. OIL STRAINER

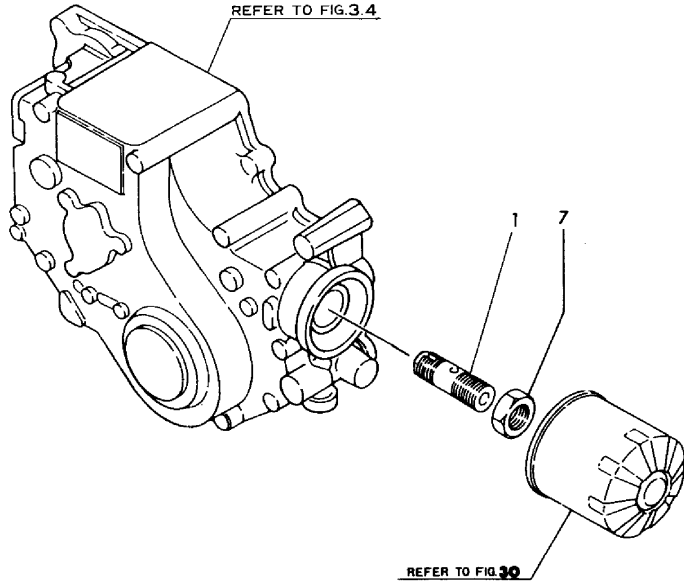
(A)=2GM20
(B)=2GM20VE
(C)=2GM20B

(D)=2GM20C
(E)=2GM20F
(F)=2GM20FVE

REF.	LEV.	PARTS NO.	DESCRIPTION	Q'TY						I	R
				(A)	(B)	(C)	(D)	(E)	(F)		
1	1	128270-35090	PIPE, OIL INLET	1	1	1	1	1	1		
4	1	124450-35070	NUT PF1/4	1	1	1	1	1	1		
5	1	121150-35100	FITTINGS	1	1	1	1	1	1		
6	1	124450-35100	ELEMENT, LUB. OIL	1		1	1	1			
I 6-1	1	119660-35150	FILTER, LUB. OIL	1		1	1	1			R
		(A=E17927)	(C=E01263)	(D=E01626)	(E=E17887)						
I 7	2	124450-35100	ELEMENT, LUB. OIL	1		1	1	1			W
		(A=EXXX)	(C=EXXX)	(D=EXXX)	(E=EXXX)						

Fig.31. L.O.PRESS.REGULATING VALVE

Fig. **31** 潤滑油調圧弁
L.O.PRESS.REGULATING VALVE



OCF10-G50502 31. L.O.PRESS.REGULATING VALVE

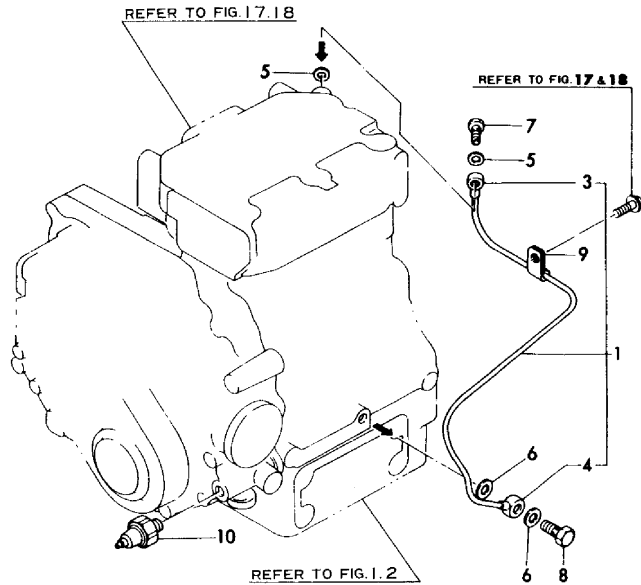
(A)=2GM20
(B)=2GM20VE
(C)=2GM20B

(D)=2GM20C
(E)=2GM20F
(F)=2GM20FVE

REF.	LEV.	PARTS NO.	DESCRIPTION	Q'TY						I	R
				(A)	(B)	(C)	(D)	(E)	(F)		
1	1	124085-35300	VALVE ASSY, CONTROL	1	1	1	1	1	1		
7	1	124085-35350	LOCK NUT M20	1	1	1	1	1	1		

Fig.32. LUB. OIL LINE

Fig.32 潤滑油パイプ
LUB.OIL PIPE



OCF10-G50502 32. LUB. OIL LINE

(A)=2GM20
(B)=2GM20VE
(C)=2GM20B

(D)=2GM20C
(E)=2GM20F
(F)=2GM20FVE

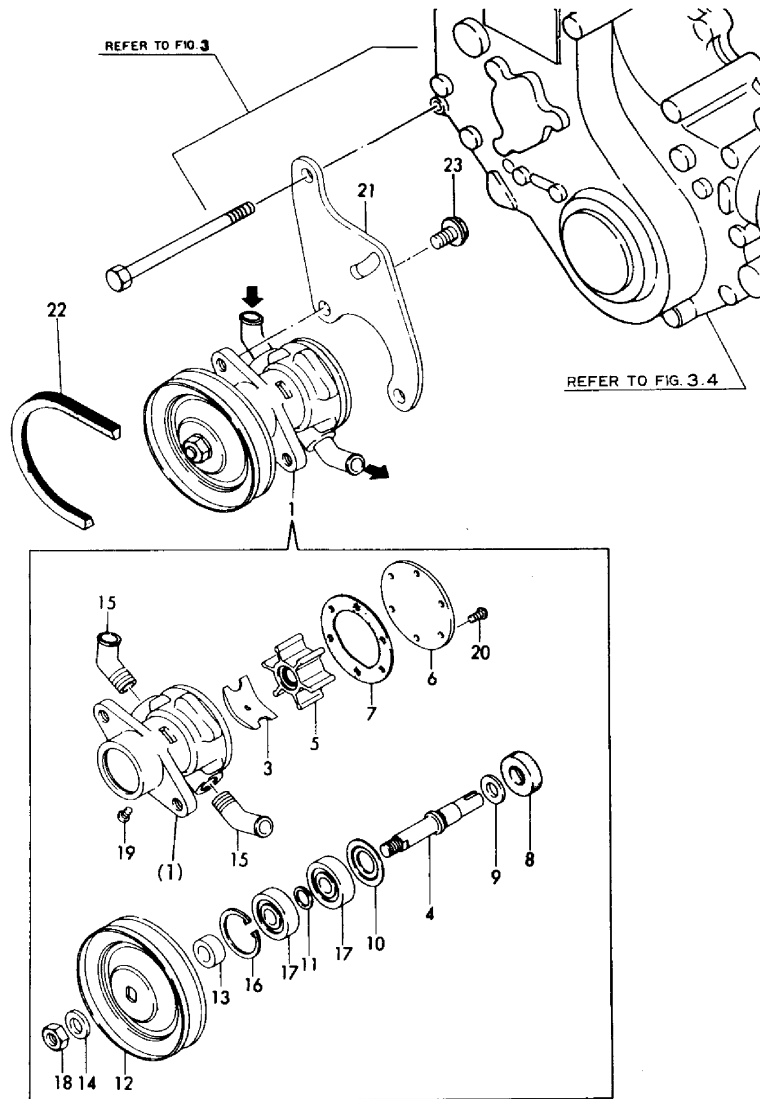
REF.	LEV.	PARTS NO.	DESCRIPTION	Q'TY						I	R
				(A)	(B)	(C)	(D)	(E)	(F)		
1	1	128270-39200	PIPE, LUB OIL	1	1	1	1	1	1		
3	2	103288-39170	JOINT 8	1	1	1	1	1	1		
4	2	124160-39540	JOINT, PIPE 10	1	1	1	1	1	1		
5	1	23414-080000	GASKET 8, ROUND	2	2	2	2	2	2		
6	1	23414-100000	GASKET 10, ROUND	2	2	2	2	2	2		
7	1	124550-59820	BOLT 8, PIPE JOINT	1	1	1	1	1	1		
8	1	124160-39140	BOLT 10, PIPE JOINT	1	1	1	1	1	1		
9	1	124450-39240	RETAINER, PIPE	1	1	1	1	1	1		
10	1	124060-39451	SENDER, OIL PRESSURE	1	1	1	1	1	1		

Fig.33. COOLING SEA WATER PUMP

(A)=2GM20
(B)=2GM20VE
(C)=2GM20B

(D)=2GM20C
(E)=2GM20F
(F)=2GM20FVE

Fig.33 冷却水ポンプ(海水)
COOLING SEA WATER PUMP



REF.	LEV.	PARTS NO.	DESCRIPTION	Q'TY						I	R
				(A)	(B)	(C)	(D)	(E)	(F)		
1	1	128270-42000	PUMP ASSY, C. WATER	1	1	1	1				
3	2	104211-42050	CAM	1	1	1	1				
4	2	124070-42060	SHAFT, IMPELLER	1	1	1	1				
5	2	104211-42070	IMPELLER, C. WATER	1	1	1	1				
6	2	104211-42080	COVER, C.W. PUMP	1	1	1	1				
7	2	104211-42090	GASKET	1	1	1	1				
8	2	104211-42100	SEAL TC10 25 7, OIL	1	1	1	1				
9	2	104211-42110	RING, WATER SEAL	1	1	1	1				
10	2	104211-42120	RETAINER	1	1	1	1				
11	2	104211-42130	SPACER	1	1	1	1				
12	2	124070-42400	V-PULLEY, C.W. PUMP	1	1	1	1				
13	2	124070-42410	COLLAR	1	1	1	1				
14	2	124070-42420	WASHER	1	1	1	1				
15	2	128270-49300	ELBOW 1/4	2	2	2	2				
16	2	22252-000300	CIRCLIP 30	1	1	1	1				
17	2	24107-062004	BALL BEARING	2	2	2	2				
18	2	26347-080002	U-NUT M 8	1	1	1	1				
19	2	26554-040062	SCREW M 4X 6	1	1	1	1				
20	2	26554-040082	SCREW M 4X 8	6	6	6	6				
21	1	128270-42150	BRACKET, C.W. PUMP	1	1	1	1				
22	1	104511-78780	V-BELT	1	1	1	1				
23	1	26106-080122	BOLT M 8X 12 PLATED	2	2	2	2				

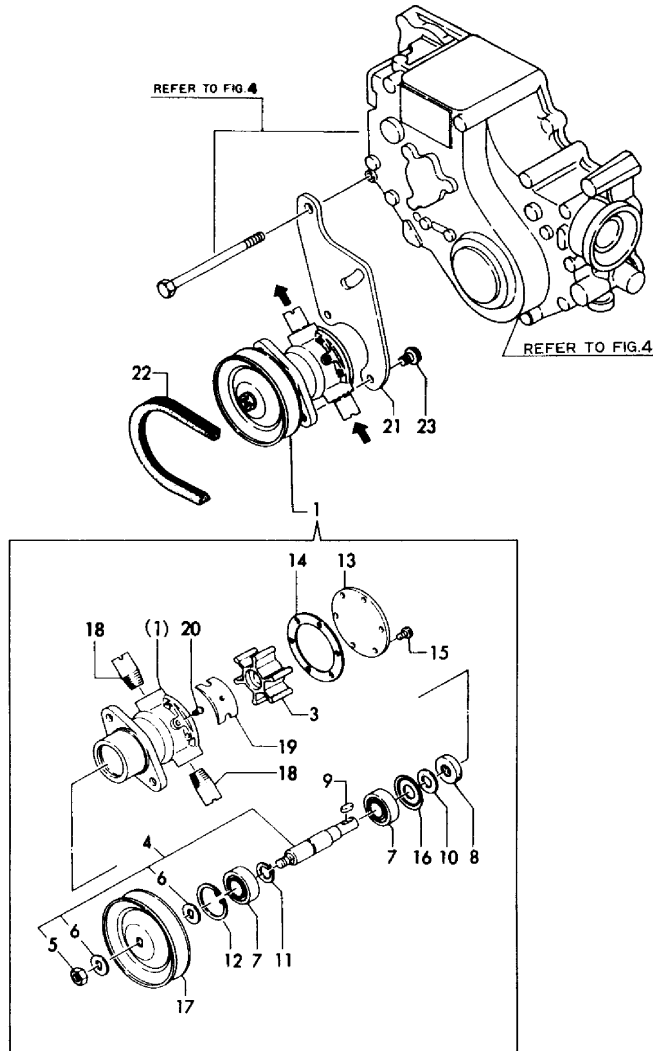
Fig.34. COOLING SEA WATER PUMP

OCF10-G50502 34. COOLING SEA WATER PUMP

(A)=2GM20
(B)=2GM20VE
(C)=2GM20B

(D)=2GM20C
(E)=2GM20F
(F)=2GM20FVE

Fig. 34 冷却水ポンプ(海水)
COOLING SEA WATER PUMP



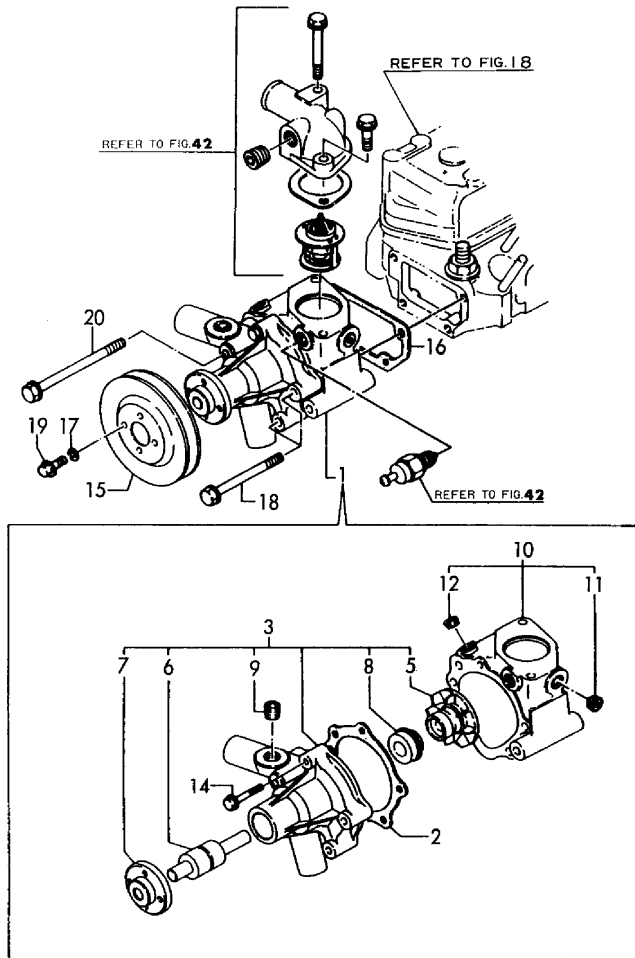
REF.	LEV.	PARTS NO.	DESCRIPTION	Q'TY						I	R
				(A)	(B)	(C)	(D)	(E)	(F)		
1	1	121575-42000	PUMP ASSY, C.S.W.							1	1
3	2	124223-42091	IMPELLER, C. WATER							1	1
4	2	721575-42500	SHAFT, IMPELLER							1	1
I	5	3	26347-080002							1	1
	6	3	124070-42420							2	2
	7	2	24107-062024							2	2
	8	2	124223-42080							1	1
	9	2	124223-42040							1	1
	10	2	124223-42070							1	1
	11	2	22242-000150							1	1
	12	2	22252-000350							1	1
	13	2	121575-42150							1	1
	14	2	124223-42110							1	1
	15	2	26554-040082							6	6
	16	2	121575-42120							1	1
	17	2	124070-42400							1	1
	18	2	121575-49300							2	2
	19	2	124323-42100							1	1
	20	2	26554-040102							1	1
	21	1	128270-42150							1	1
	22	1	104511-78780							1	1
	23	1	26106-080122							2	2

Fig.35. COOLING FRESH WATER PUMP

(A)=2GM20
(B)=2GM20VE
(C)=2GM20B

(D)=2GM20C
(E)=2GM20F
(F)=2GM20FVE

Fig.35 冷却水ポンプ(清水)
COOLING FRESH WATER PUMP

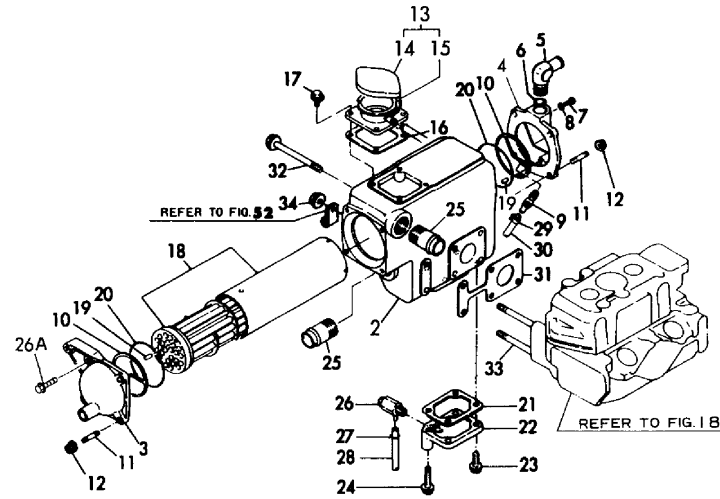


REF.	LEV.	PARTS NO.	DESCRIPTION	Q'TY						I	R
				(A)	(B)	(C)	(D)	(E)	(F)		
1	1	128695-42010	PUMP ASSY, C.F.W.					1		1	
2	2	121000-42051	GASKET, C.W.PUMP					1		1	
3	2	121000-42100	PUMP ASSY, C. WATER					1		1	
5	3	129350-42200	IMPELLER					1		1	
6	3	121450-42240	SHAFT, IMPELLER					1		1	
7	3	121450-42260	FLANGE, V-PULLEY					1		1	
8	3	121450-42310	SEAL, MECHANICAL					1		1	
9	3	23871-030000	PLUG PT3/8,SCREW					1		1	
10	2	728695-43500	BRACKET ASSY, PUMP					1		1	
12	3	23871-020000	PLUG PT1/4,SCREW					1		1	
13	3	23871-030000	PLUG PT3/8,SCREW					1		1	
14	2	26106-060322	BOLT M 6X 32 PLATED					1		1	
15	1	128695-42350	V-PULLEY					1		1	
16	1	121450-44410	GASKET, BRACKET					1		1	
17	1	22217-060000	SPRING WASHER 6					4		4	
18	1	26106-080902	BOLT M 8X 90 PLATED					3		3	
19	1	26106-060102	BOLT M 6X 10 PLATED					4		4	
20	1	26106-081102	BOLT M 8X110 PLATED					1		1	

Fig.36. COOLING FRESH WATER COOLER

Fig. **36** 清水クーラ
COOLING FRESH WATER COOLER

見出しNo. 1は、見出しNo. 2から26Aを含みます。
↓inc. 2 ~ 26A



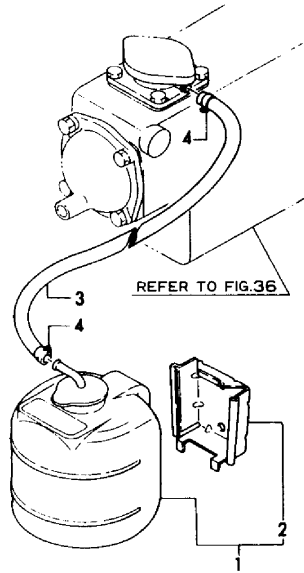
(A)=2GM20
(B)=2GM20VE
(C)=2GM20B

(D)=2GM20C
(E)=2GM20F
(F)=2GM20FVE

REF.	LEV.	PARTS NO.	DESCRIPTION	Q'TY						I	R	
				(A)	(B)	(C)	(D)	(E)	(F)			
1	1	728290-44501	EXCHANGER ASSY, HEAT							1		
I 1-1	1	128290-44900	EXCHAGER ASSY CFW							1		N
				(E=E17431)								
2	2	128290-44011	REFER TO 1							1	1	
3	2	128290-44050	COVER, INLET							1	1	
4	2	128690-44060	COVER, OUTLET							1	1	
5	3	128690-49310	ELBOW							1	1	
6	3	24311-000160	O-RING 1A P-16.0							1	1	
7	3	26554-050102	SCREW M 5X 10							1	1	
8	3	23414-050000	GASKET 5							1	1	
9	2	128695-44090	COCK PT1/8							1	1	
10	2	128695-44070	GASKET							2	2	
11	2	26216-060182	STUD M 6X 18 PLATED							1	1	
12	2	26366-060002	NUT M 6							1	1	
13	2	123682-44190	FILLER W/BALL							1	1	
14	3	123682-44210	CAP							1	1	
15	3	123682-44220	CHAIN							1	1	
16	2	123682-44200	GASKET							1		
I 16-1	2	123682-44201	GASKET, (NON-ASB.)							1		N
				(E=E17941)								
17	2	26106-060142	BOLT M 6X 14 PLATED							4	4	
18	2	128290-44400	CORE ASSY, COOLER							1	1	
19	2	124790-44470	PIN							2	2	
20	2	24311-000700	O-RING 1A P-70.0							2	2	
21	2	121450-11680	GASKET, COVER							1		
I 21-1	2	121450-11681	GASKET, (NON-ASB.)							1		N
				(E=E17941)								
22	2	128290-44481	COVER							1	1	
23	2	26106-080202	BOLT M 8X 20 PLATED							3	3	
24	2	26106-080352	BOLT M 8X 35 PLATED							1	1	
25	2	124160-49480	JOINT, PIPE							2	2	
26	2	120130-49350	COCK							1	1	
26A	2	26106-060182	BOLT M 6X 18 PLATED							7		W
				(E=EXXX)								
27	1	124460-77680	RETAINER							1	1	
28	1	23061-070300	PIPE 7X 300							1	1	
29	1	124722-59050	CLAMP 9							1		
I 29-1	1	124460-77680	RETAINER							1		N
				(E=E20327)								
30	1	23061-070300	PIPE 7X 300							1	1	
31	1	128290-13250	GASKET							1		
I 31-1	1	128290-13251	GASKET, (NON-ASB.)							1		N
				(E=E17941)								
32	1	26106-080852	BOLT M 8X 85 PLATED							4	4	
33	1	26216-080852	STUD M 8X 85 PLATED							2	2	
34	1	26366-080002	NUT M 8							2	2	

Fig.37. SUBTANK

Fig.37 サブタンク
SUBTANK



OCF10-G50502 37. SUBTANK

(A)=2GM20
(B)=2GM20VE
(C)=2GM20B

(D)=2GM20C
(E)=2GM20F
(F)=2GM20FVE

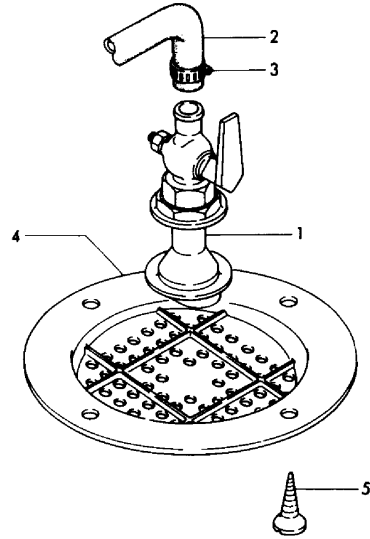
REF.	LEV.	PARTS NO.	DESCRIPTION	Q'TY						I	R
				(A)	(B)	(C)	(D)	(E)	(F)		
1	1	720445-44200	SUB RESERVIOR ASSY						1		
1-1	1	120445-44530	TANK ASSY, RESERVE						1		S
				(E=E12988)							
2	1	120445-44540	BRACKET, SUB-TANK						1	1	
3	1	124790-44560	PIPE, C. WATER						1	1	
4	1	23010-013000	CLAMP 13						2	2	

Fig.38. KINGSTON COCK

(A)=2GM20
(B)=2GM20VE
(C)=2GM20B

(D)=2GM20C
(E)=2GM20F
(F)=2GM20FVE

Fig. 38 キングストンコック
KINGSTON COCK

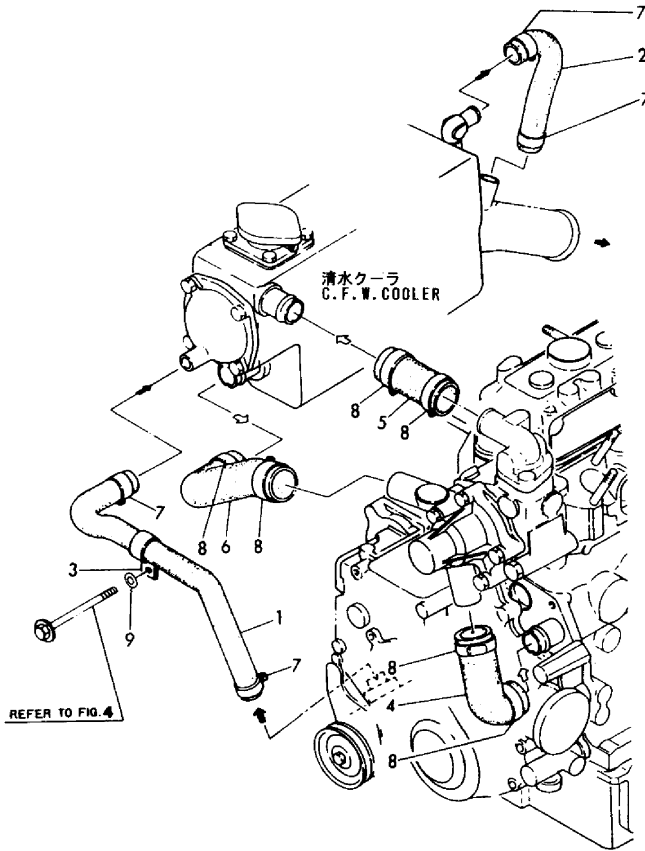


REF.	LEV.	PARTS NO.	DESCRIPTION	Q'TY						I	R
				(A)	(B)	(C)	(D)	(E)	(F)		
1	1	43662-010030	COCK ASSY, SEA WATER	1	1	1					1
2	1	104211-49080	PIPE, COOLING WATER	1	1	1					1
3	1	23000-022000	CLAMP 22	3	3	3					1
4	1	43666-020951	COVER, STRAINER	1	1	1					1
5	1	22724-800380	SCREW 8X 38	4	4	4					1

Remarks
1)OPTIONAL FOR 2GM20 & 2GM20VE

Fig.40. COOLING FRESH WATER LINE

Fig.40 冷却水パイプ(清水)
COOLING FRESH WATER PIPE



OCF10-G50502 40. COOLING FRESH WATER LINE

(A)=2GM20
(B)=2GM20VE
(C)=2GM20B

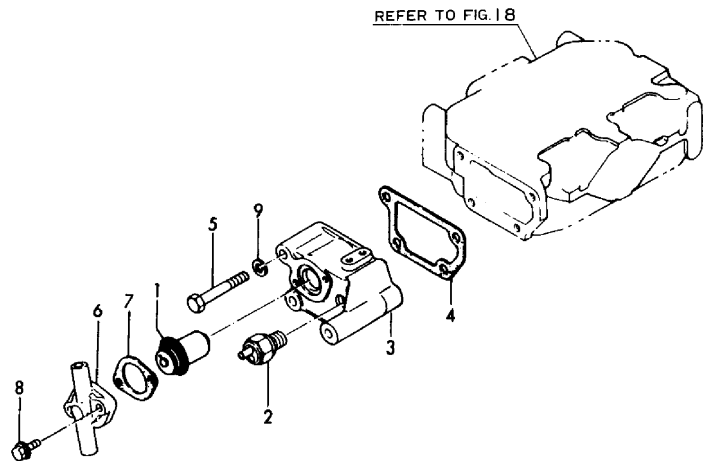
(D)=2GM20C
(E)=2GM20F
(F)=2GM20FVE

REF.	LEV.	PARTS NO.	DESCRIPTION	Q'TY						I	R	
				(A)	(B)	(C)	(D)	(E)	(F)			
1	1	128690-49010	PIPE (B), C. WATER					1				
1A	1	128291-49020	PIPE B								1	
2	1	124770-49040	PIPE, COOLING WATER					1			1	
3	1	121575-49310	CLAMP					1			1	
4	1	128290-49510	PIPE, COOLING WATER					1			1	
5	1	128695-49520	PIPE (E), C. WATER					1			1	
6	1	128695-49530	PIPE (F), C. WATER					1			1	
7	1	23000-025000	CLAMP 25					4			3	
8	1	23000-041000	CLAMP 41					6			6	
9	1	22137-060000	WASHER 6, POLISHED					1				W

(E=EXXX)

Fig.41. THERMOSTAT

Fig.41 サーモスタット
THERMOSTAT



OCF10-G50502 41. THERMOSTAT

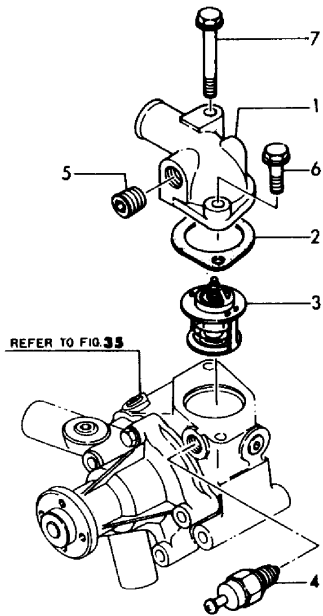
(A)=2GM20
(B)=2GM20VE
(C)=2GM20B

(D)=2GM20C
(E)=2GM20F
(F)=2GM20FVE

REF.	LEV.	PARTS NO.	DESCRIPTION	Q'TY						I	R
				(A)	(B)	(C)	(D)	(E)	(F)		
1	1	105582-49200	THERMOSTAT	1	1	1	1				
2	1	128275-91340	SWITCH, THERMO	1	1	1	1				
3	1	128270-49100	BRACKET, THERMOSTAT	1	1	1	1				
4	1	121450-44410	GASKET, BRACKET	1	1	1	1				
5	1	26116-080602	BOLT M 8X 60 PLATED	4	4	4	4				
6	1	128170-49150	COVER, THERMOSTAT	1	1	1	1				
7	1	104211-49160	PACKING	1	1	1	1				
8	1	26106-060182	BOLT M 6X 18 PLATED	2	2	2	2				
9	1	22217-080000	SPRING WASHER 8	4	4	4	4				

Fig.42. THERMOSTAT

Fig. **42** サーモスタット
THERMOSTAT



OCF10-G50502 42. THERMOSTAT

(A)=2GM20
(B)=2GM20VE
(C)=2GM20B

(D)=2GM20C
(E)=2GM20F
(F)=2GM20FVE

REF.	LEV.	PARTS NO.	DESCRIPTION	Q'TY						I	R	
				(A)	(B)	(C)	(D)	(E)	(F)			
1	1	128690-49530	COVER, THERMOSTAT							1		
1-1	1	124101-49530	COVER, THERMOSTAT							1		S
				(E=E08627)								
2	1	129350-49540	GASKET, THERMO.COVER							1		
2-1	1	124736-49540	GASKET							1		S
				(E=EXXX)								
3	1	121750-49800	THERMOSTAT							1	1	
4	1	127610-91350	SWITCH, THERMO							1	1	
5	1	23873-030000	PLUG PT 3/8							1		Z
				(E=EXXX)								
6	1	26106-080302	BOLT M 8X 30 PLATED							1	1	
7	1	26106-080652	BOLT M 8X 65 PLATED							1	1	

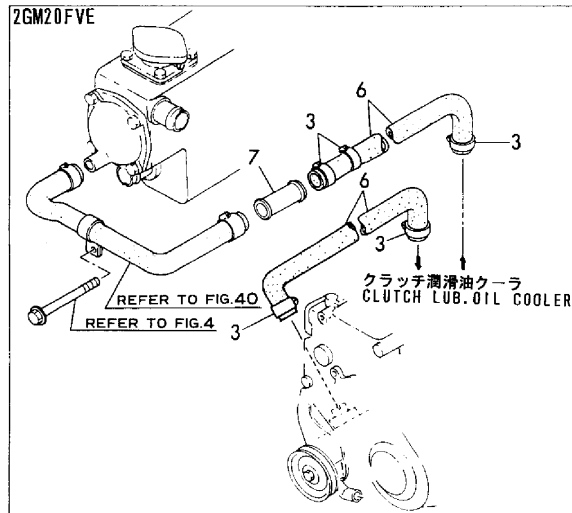
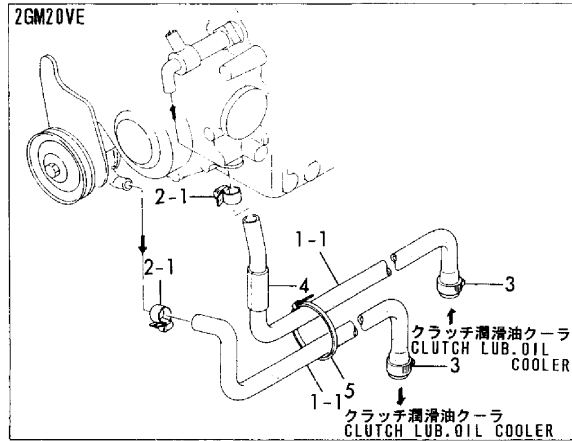
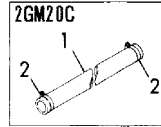
Fig.43. COOLING SEA WATER LINE(OPTIONAL)

OCF10-G50502 43. COOLING SEA WATER LINE(OPTIONAL)

(A)=2GM20
(B)=2GM20VE
(C)=2GM20B

(D)=2GM20C
(E)=2GM20F
(F)=2GM20FVE

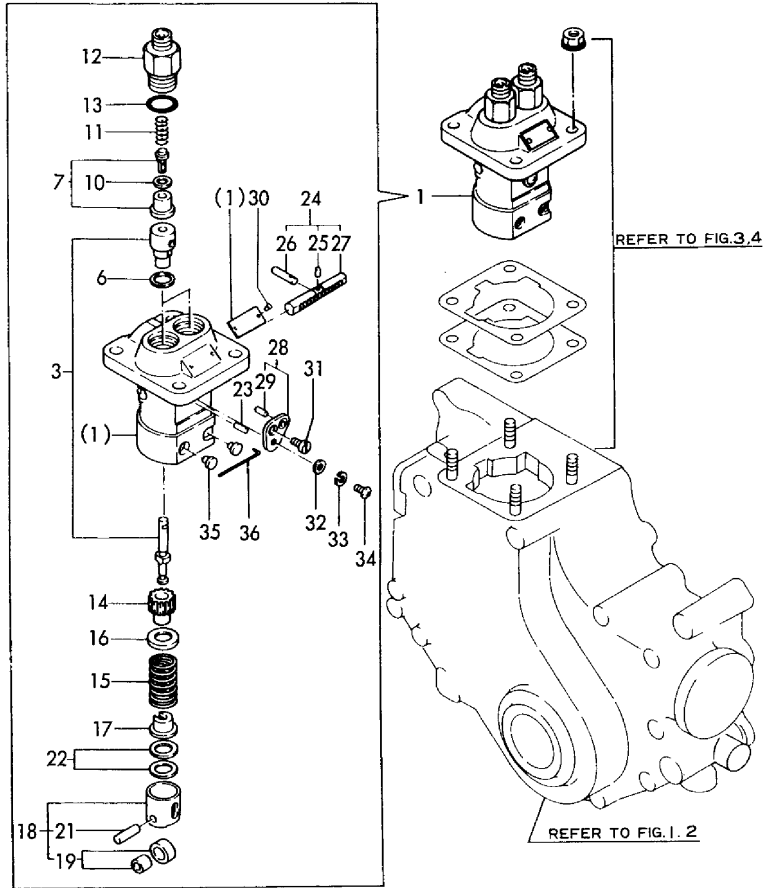
Fig. 43 冷却水パイプ(海水)(オプション)
COOLING SEA WATER PIPE(OPTIONAL)



REF.	LEV.	PARTS NO.	DESCRIPTION	Q'TY						I	R	
				(A)	(B)	(C)	(D)	(E)	(F)			
1	1	128170-49080	PIPE, COOLING WATER				1					
1-1	1	128170-49081	PIPE				1				N	
				(D=E01081)								
2	1	23000-022000	CLAMP 22						2			
2-1	1	23000-022000	CLAMP 22					2		1		K
				(D=E01081)								
3	1	23000-025000	CLAMP 25							1		W
				(D=E01081)								
4	1	128271-49450	PROTECTOR					1				
5	1	121750-59890	RETAINER					1				
6	1	124223-49050	PIPE, COOLING WATER								2	
7	1	128291-49250	JOINT									1

Fig.44. FUEL INJECTION PUMP

Fig.44 燃料噴射ポンプ
FUEL INJECTION PUMP



OCF10-G50502 44. FUEL INJECTION PUMP

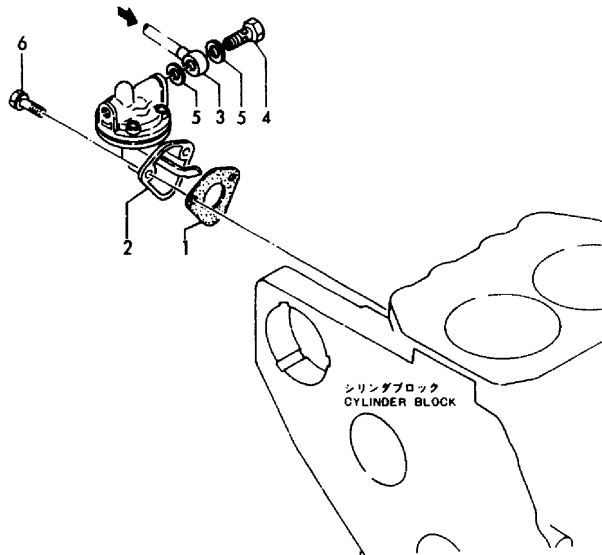
(A)=2GM20
(B)=2GM20VE
(C)=2GM20B

(D)=2GM20C
(E)=2GM20F
(F)=2GM20FVE

REF.	LEV.	PARTS NO.	DESCRIPTION	QTY						I	R
				(A)	(B)	(C)	(D)	(E)	(F)		
1	1	728271-51100	PUMP ASSY. F.INJECT.	1	1	1	1				
I 1-1	1	728271-51101 (A=E21044)	PUMP ASSY. F.INJECT. (C=E01586) (D=E02109)	1	1	1	1	1	1		N
3	2	128170-51101	PLUNGER W/BARREL	2	2	2	2	2	2		
6	2	124950-51270	GASKET	2	2	2	2	2	2		
7	2	128170-51300	VALVE W/SEAT, DELIV.	2		2	2	2			
I 7-1	2	105500-51300 (A=E21044)	VALVE W/SEAT, DELIV. (C=E01586) (D=E02109)	2	2	2	2	2	2		N
10	2	124550-51350	GASKET, DELIVERY	2	2	2	2	2	2		
11	2	124550-51320	SPRING, DELIV. VALVE	2	2	2	2	2	2		
12	2	124550-51341	RETAINER	2	2	2	2	2	2		
13	2	124550-51370	O-RING, DELIVERY	2	2	2	2	2	2		
14	2	124950-51510	PINION	2	2	2	2	2	2		
15	2	124950-51190	SPRING, PLUNGER	2	2	2	2	2	2		
16	2	174307-51170	RETAINER A	2	2	2	2	2	2		
17	2	174307-51181	RETAINER B	2	2	2	2	2	2		
18	2	724550-51520	GUIDE ASSY, PLUNGER	2	2	2	2	2	2		
19	3	711100-51540	ROLLER ASSY	2	2	2	2	2	2		
21	3	174100-54120	PIN, ROLLER	2	2	2	2	2	2		
22	2	174307-51700	SHIM SET	2	2	2	2	2	2		
23	2	103854-51251	PIN, PLUNGER	1	1	1	1	1	1		
24	2	124085-51500	RACK, CONTROL	1	1	1	1	1	1		
25	3	121450-51550	PIN	1	1	1	1	1	1		
26	3	124550-51590	LOCKER	1	1	1	1	1	1		
28	2	124950-51640	SHIM SET, CONTROL	1	1	1	1	1	1		
29	3	124950-51670	PIN	1	1	1	1	1	1		
I 29A	3	124950-51650	PLATE	1	1	1	1	1	1		W
		(A=E0000) (C=E0000) (D=E0000) (E=E0000)		2	2	2	2	2	2		
30	2	124220-51890	RIVET, LABEL	2	2	2	2	2	2		
31	2	103854-51660	SCREW	1	1	1	1	1	1		
I 32	2	22117-050000 (A=E0000) (C=E0000) (D=E0000) (E=E0000)	WASHER 5	1	1	1	1	1	1		Z
I 33	2	22217-050000 (A=E0000) (C=E0000) (D=E0000) (E=E0000)	SPRING WASHER 5	1	1	1	1	1	1		Z
34	2	26587-050102 (A=E06223) (C=E00378) (D=E00564) (E=E06462)	SCREW M 5X 10	1	1	1	1	1	1		
34-1	2	26033-050102	SCREW W/WASHER 5* 10	1	1	1	1	1	1		N
35	2	124950-51450	PIECE, GUIDE	2	2	2	2	2	2		
36	2	174307-51460	PIN	1	1	1	1	1	1		

Fig.45. FUEL FEED PUMP

Fig. 45 燃料フィードポンプ
FUEL FEED PUMP



OCF10-G50502 45. FUEL FEED PUMP

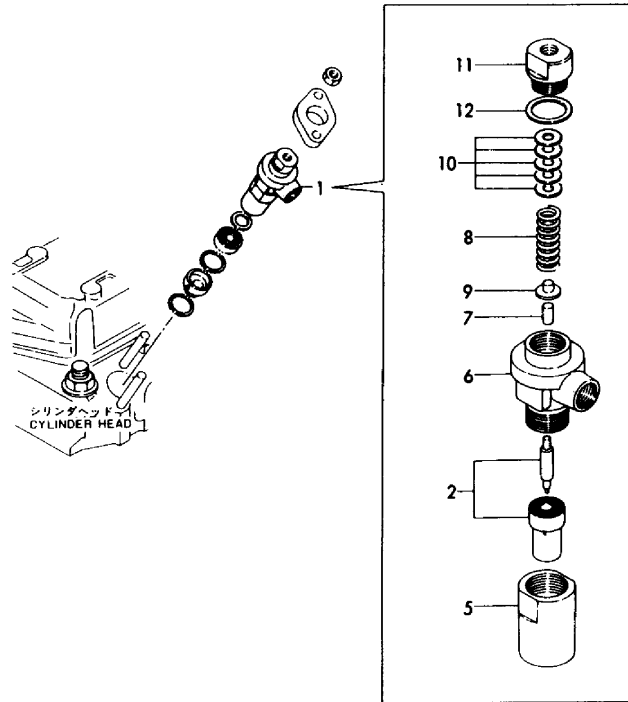
(A)=2GM20
(B)=2GM20VE
(C)=2GM20B

(D)=2GM20C
(E)=2GM20F
(F)=2GM20FVE

REF.	LEV.	PARTS NO.	DESCRIPTION	Q'TY						I	R
				(A)	(B)	(C)	(D)	(E)	(F)		
1	1	121520-01850	GASKET, F.FEED PUMP	1		1	1	1			
I	1-1	121520-01851	GASKET, (NON-ASB.)	1		1	1	1			N
		(A=E16293)	(C=E01046)	(D=E01482)	(E=E16283)						
2	1	129301-52020	PUMP ASSY, FUEL FEED	1	1	1	1	1	1	1	
3	1	104264-59030	JOINT 8, PIPE	1	1	1	1	1	1	1	
4	1	105582-59150	BOLT, PIPE JOINT	1	1	1	1	1	1	1	
5	1	23414-080000	GASKET 8, ROUND	2	2	2	2	2	2	2	
6	1	26013-060162	BOLT M 6X 16	2	2	2	2	2	2	2	

Fig.46. FUEL INJECTION VALVE

Fig. 46 燃料噴射弁
FUEL INJECTION VALVE



OCF10-G50502 46. FUEL INJECTION VALVE

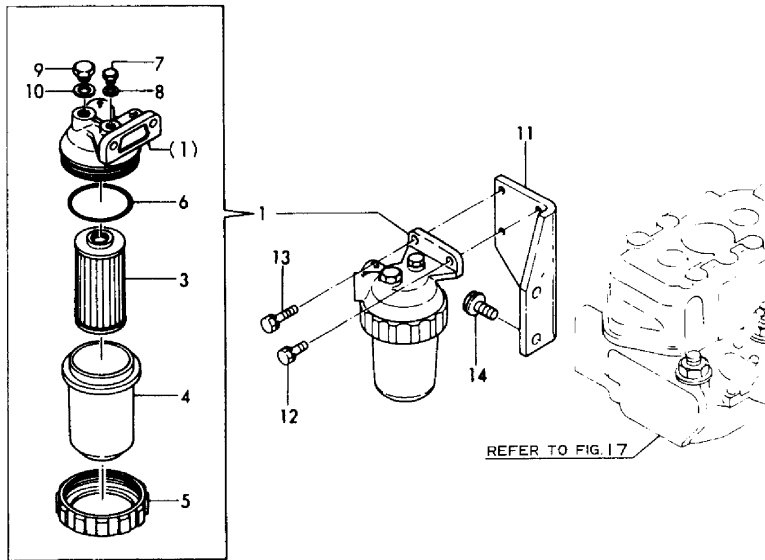
(A)=2GM20
(B)=2GM20VE
(C)=2GM20B

(D)=2GM20C
(E)=2GM20F
(F)=2GM20FVE

REF.	LEV.	PARTS NO.	DESCRIPTION	Q'TY						I	R
				(A)	(B)	(C)	(D)	(E)	(F)		
1	1	728170-53100	VALVE ASSY, F.INJECT	2	2	2	2	2	2		
2	2	124770-53000	NOZZLE ASSY,F.INJECT	2	2	2	2	2	2		
5	2	128170-53080	HOLDER, VALVE W/CASE	2	2	2	2	2	2		
6	2	103854-53100	BODY, F.I. VALVE	2	2	2	2	2	2		
7	2	113200-53110	SPINDLE, INTER	2	2	2	2	2	2		
8	2	104211-53120	SPRING, NOZZLE	2	2	2	2	2	2		
9	2	113200-53120	SHOE, SPRING	2	2	2	2	2	2		
10	2	110250-53150	SHIM SET	2	2	2	2	2	2		
11	2	103854-53180	RETAINER, NOZ.SPRING	2	2	2	2	2	2		
12	2	172100-53200	GASKET	2	2	2	2	2	2		

Fig.47. FUEL STRAINER

Fig. 47 燃料フィルタ
FUEL STRAINER



OCF10-G50502 47. FUEL STRAINER

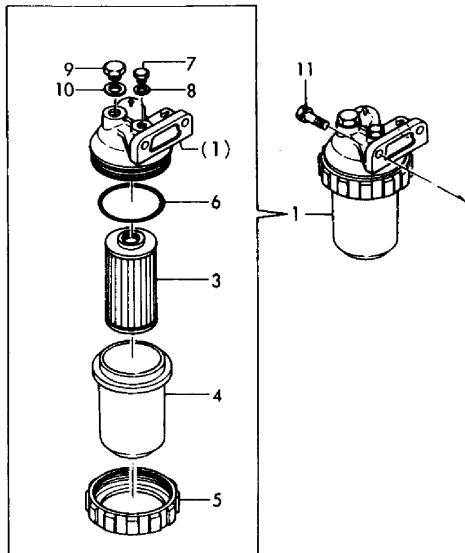
(A)=2GM20
(B)=2GM20VE
(C)=2GM20B

(D)=2GM20C
(E)=2GM20F
(F)=2GM20FVE

REF.	LEV.	PARTS NO.	DESCRIPTION	Q'TY						I	R
				(A)	(B)	(C)	(D)	(E)	(F)		
1	1	124790-55601	STRAINER ASSY, FUEL	1	1	1	1				
3	2	104500-55710	ELEMENT, FUEL	1	1	1	1				
4	2	121370-55730	CUP, STRAINER	1	1	1	1				
5	2	110250-55610	RING, RETAINING	1	1	1	1				
6	2	24341-000440	O-RING 1A S-44.0	1	1	1	1				
7	2	101720-55750	PLUG 6	1	1	1	1				
8	2	23418-060000	GASKET 6, NYLON	1	1	1	1				
9	2	135210-51900	PLUG	1	1	1	1				
10	2	23414-080012	GASKET 8	1	1	1	1				
11	1	128270-55610	BRACKET, STRAINER	1	1	1	1				
12	1	26013-060162	BOLT M 6X 16	1	1	1	1				
13	1	26013-060252	BOLT M 6X 25	1	1	1	1				
14	1	26106-080162	BOLT M 8X 16 PLATED	2	2	2	2				

Fig.48. FUEL STRAINER

Fig. **48** 燃料フィルタ
FUEL STRAINER



OCF10-G50502 48. FUEL STRAINER

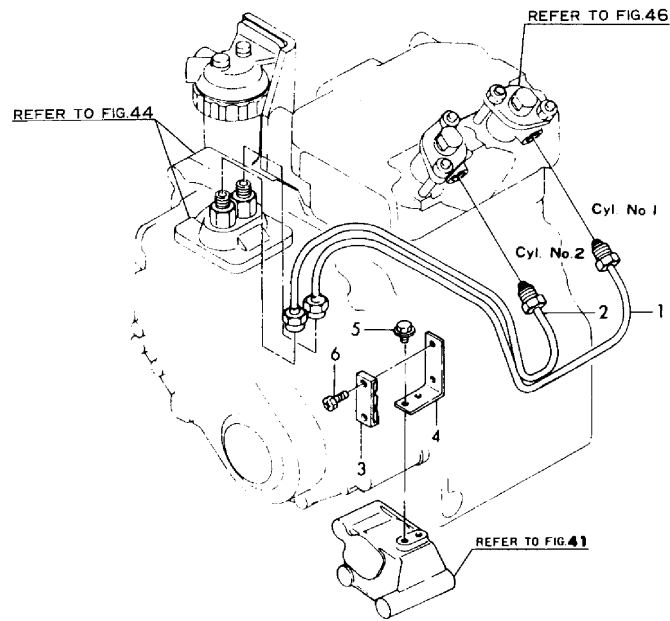
(A)=2GM20
(B)=2GM20VE
(C)=2GM20B

(D)=2GM20C
(E)=2GM20F
(F)=2GM20FVE

REF.	LEV.	PARTS NO.	DESCRIPTION	Q'TY						I	R	
				(A)	(B)	(C)	(D)	(E)	(F)			
1	1	124790-55601	STRAINER ASSY, FUEL					1			1	
3	2	104500-55710	ELEMENT, FUEL					1			1	
4	2	121370-55730	CUP, STRAINER					1			1	
5	2	110250-55610	RING, RETAINING					1			1	
6	2	24341-000440	O-RING 1A S-44.0					1			1	
7	2	101720-55750	PLUG 6					1			1	
8	2	23418-060000	GASKET 6, NYLON					1			1	
9	2	135210-51900	PLUG					1			1	
10	2	23414-080012	GASKET 8					1			1	
11	1	26013-060162	BOLT M 6X 16							2		2

Fig.49. FUEL INJECTION LINE

Fig. **49** 燃料噴射パイプ
FUEL INJECTION PIPE



OCF10-G50502 49. FUEL INJECTION LINE

(A)=2GM20
(B)=2GM20VE
(C)=2GM20B

(D)=2GM20C
(E)=2GM20F
(F)=2GM20FVE

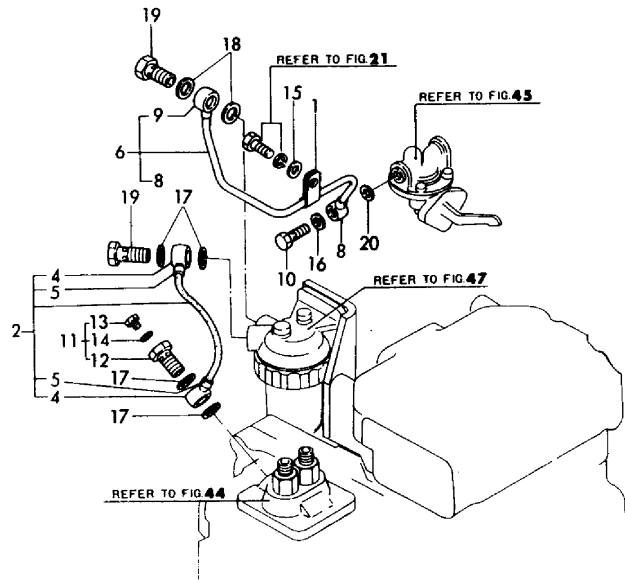
REF.	LEV.	PARTS NO.	DESCRIPTION	Q'TY						I	R
				(A)	(B)	(C)	(D)	(E)	(F)		
1	1	128270-59810	PIPE (A), F. INJECT.	1	1	1	1				
2	1	128270-59820	PIPE (B), F. INJECT.	1	1	1	1				
3	1	122780-59100	RETAINER	1	1	1	1				
4	1	121450-59850	BRACKET (A)	1	1	1	1				
5	1	26106-060122	BOLT M 6X 12 PLATED	2	2	2	2				
6	1	121465-59950	BOLT M 6X 16, PLATED	2	2	2	2				

Fig.51. FUEL LINE

(A)=2GM20
(B)=2GM20VE
(C)=2GM20B

(D)=2GM20C
(E)=2GM20F
(F)=2GM20FVE

Fig.51 燃料パイプ
FUEL PIPE



REF.	LEV.	PARTS NO.	DESCRIPTION	Q'TY						I	R
				(A)	(B)	(C)	(D)	(E)	(F)		
1	1	124450-39240	RETAINER, PIPE	1	1	1	1				
2	1	128270-59011	PIPE (A) ASSY, FUEL	1	1	1	1				
4	2	104264-59020	JOINT 12, PIPE	2	2	2	2				
5	2	104264-59040	CAP, PIPE	2	2	2	2				
6	1	128270-59080	PIPE (B), FUEL OIL	1	1	1	1				
8	2	135210-39140	JOINT, PIPE	1	1	1	1				
9	2	23341-060000	BALL JOINT	1	1	1	1				
10	1	105582-59150	BOLT, PIPE JOINT	1	1	1	1				
11	1	103854-59191	BOLT W/PLUG & SEAL	1	1	1	1				
12	2	103854-59201	BOLT, JOINT	1	1	1	1				
13	2	124060-59380	PLUG	1	1	1	1				
14	2	43400-500390	SEAL WASHER 6S	1	1	1	1				
15	1	22117-080000	WASHER 8	1	1	1	1				
16	1	23414-080000	GASKET 8, ROUND	1	1	1	1				
17	1	23414-120000	GASKET 12, ROUND	4	4	4	4				
18	1	23414-120000	GASKET 12, ROUND	2	2	2	2				
19	1	23857-060000	BOLT M6,JOINT	2	2	2	2				
20	1	104884-59170	GASKET	1	1	1	1				

Fig.52. FUEL LINE

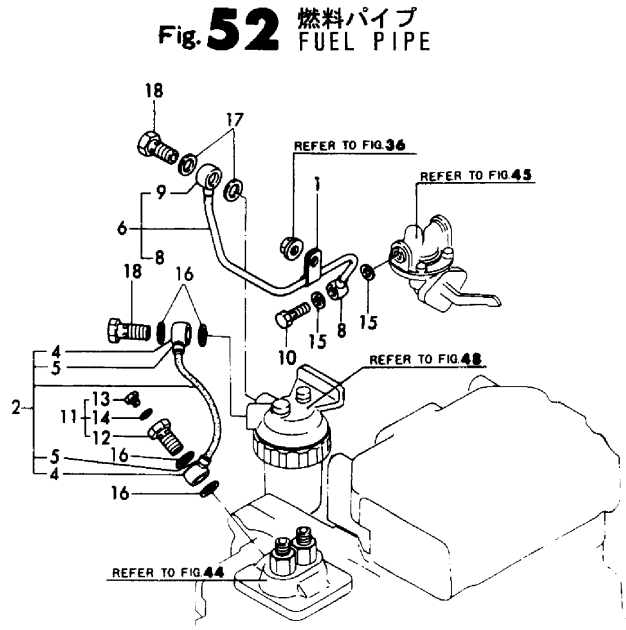


Fig.52 燃料パイプ
FUEL PIPE

OCF10-G50502 52. FUEL LINE

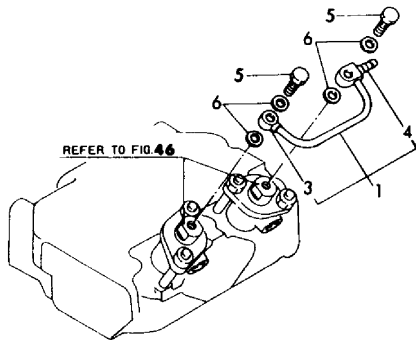
(A)=2GM20
(B)=2GM20VE
(C)=2GM20B

(D)=2GM20C
(E)=2GM20F
(F)=2GM20FVE

REF.	LEV.	PARTS NO.	DESCRIPTION	Q'TY						I	R	
				(A)	(B)	(C)	(D)	(E)	(F)			
1	1	124450-39240	RETAINER, PIPE					1			1	
2	1	128290-59010	PIPE (A) ASSY, FUEL					1			1	
4	2	104264-59020	JOINT 12, PIPE					2			2	
5	2	104264-59040	CAP, PIPE					2			2	
6	1	128290-59080	PIPE (B), FUEL					1			1	
8	2	135210-39140	JOINT, PIPE					1			1	
9	2	23341-060000	BALL JOINT					1			1	
10	1	105582-59150	BOLT, PIPE JOINT					1			1	
11	1	103854-59191	BOLT W/PLUG & SEAL					1			1	
12	2	103854-59201	BOLT, JOINT					1			1	
13	2	124060-59380	PLUG					1			1	
14	2	43400-500390	SEAL WASHER 6S					1			1	
15	1	23414-080000	GASKET 8, ROUND					2			2	
16	1	23414-120000	GASKET 12, ROUND					4			4	
16-1	1	23414-120000	GASKET 12, ROUND					2			2	K
								(E=EXXX)				
17	1	23414-120000	GASKET 12, ROUND					2			2	
18	1	23857-060000	BOLT M6,JOINT					2			2	

Fig.53. FUEL RETURN LINE

Fig.53 燃料戻しパイプ
FUEL RETURN PIPE



OCF10-G50502 53. FUEL RETURN LINE

(A)=2GM20
(B)=2GM20VE
(C)=2GM20B

(D)=2GM20C
(E)=2GM20F
(F)=2GM20FVE

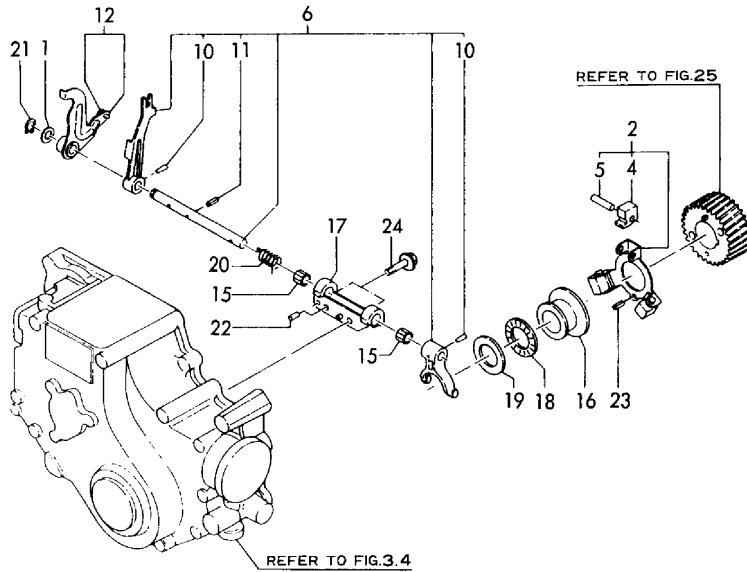
REF.	LEV.	PARTS NO.	DESCRIPTION	Q'TY						I	R
				(A)	(B)	(C)	(D)	(E)	(F)		
1	1	105311-59500	PIPE, FUEL RETURN	1	1	1	1	1	1		
3	2	103288-39170	JOINT 8	1	1	1	1	1	1		
4	2	124790-59530	JOINT	1	1	1	1	1	1		
5	1	101147-59810	BOLT 8, PIPE JOINT	2	2	2	2	2	2		
6	1	23414-080000	GASKET 8, ROUND	4	4	4	4	4	4		

Fig.54. GOVERNOR DRIVING

(A)=2GM20
(B)=2GM20VE
(C)=2GM20B

(D)=2GM20C
(E)=2GM20F
(F)=2GM20FVE

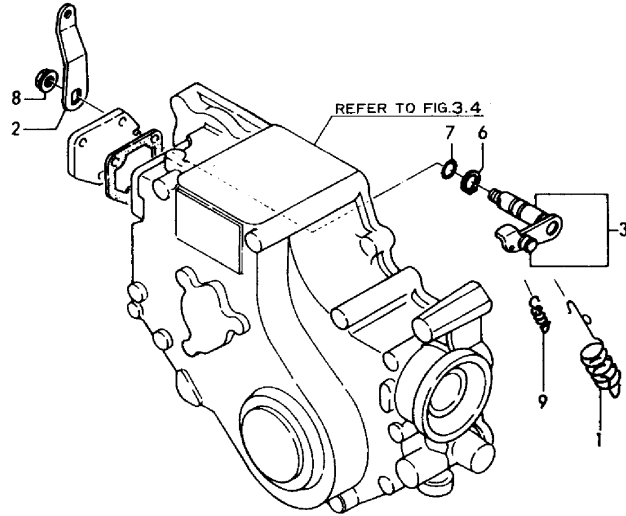
Fig. 54 ガバナ駆動
GOVERNOR EQUIPMENT



REF.	LEV.	PARTS NO.	DESCRIPTION	Q'TY						I	R
				(A)	(B)	(C)	(D)	(E)	(F)		
1	1	104211-42130	SPACER	1	1	1	1	1	1		
2	1	171016-61100	WEIGHT, GOVERNOR	1		1	1	1			
2-1	1	771016-61620	WEIGHT, GOVERNOR	1		1	1	1			N
4	2	104200-61200	WEIGHT, GOVERNOR	3	3	3	3	3	3		
5	2	121575-61220	PIN, GOVERNOR WEIGHT	3	3	3	3	3	3		
6	1	721500-61560	LEVER ASSY, GOVERNOR	1	1	1	1	1	1		
10	2	22322-030200	TAPER PIN 3X20	2	2	2	2	2	2		
11	2	22351-030012	SPRING PIN 3X12	1	1	1	1	1	1		
12	1	121575-61160	LEVER ASSY, CONTROL	1		1	1	1			
I 12-1	1	121575-61161	LEVER ASSY, CONTROL	1		1	1	1			N
15	1	122410-61650	BEARING, NEEDLE	2	2	2	2	2	2		
16	1	121000-61600	SLEEVE, GOVERNOR	1	1	1	1	1	1		
17	1	121575-61620	SUPPORT	1	1	1	1	1	1		
18	1	121575-61710	NEEDLE BEARING	1	1	1	1	1	1		
19	1	121575-61720	COLLAR, BEARING	1	1	1	1	1	1		
20	1	121575-66310	SPRING, STARTING	1	1	1	1	1	1		
21	1	22242-000100	CIRCLIP 10	1	1	1	1	1	1		
22	1	22312-040080	PIN 4X8, STRAIGHT	2	2	2	2	2	2		
23	1	22351-040008	SPRING PIN 4X 8	2	2	2	2	2	2		
24	1	26106-060282	BOLT M 6X 28 PLATED	2	2	2	2	2	2		

Fig.55. CONTROL DEVICE

Fig.55 操縦装置
CONTROL DEVICE



OCF10-G50502 55. CONTROL DEVICE

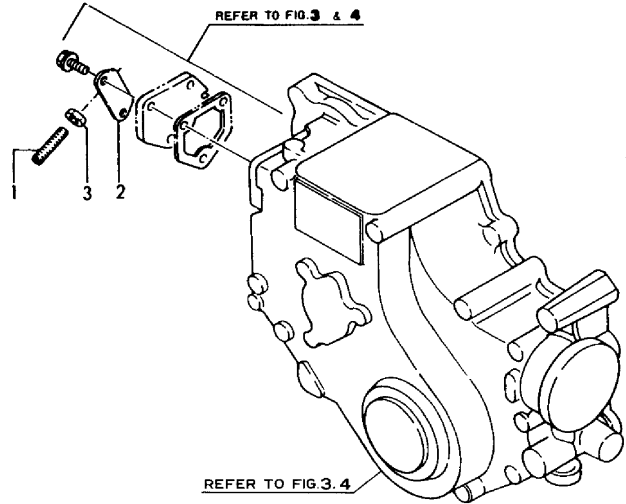
(A)=2GM20
(B)=2GM20VE
(C)=2GM20B

(D)=2GM20C
(E)=2GM20F
(F)=2GM20FVE

REF.	LEV.	PARTS NO.	DESCRIPTION	Q'TY						I	R
				(A)	(B)	(C)	(D)	(E)	(F)		
1	1	128270-66010	SPRING, REGULATOR	1	1	1	1	1	1		
2	1	121575-66051	HANDLE, REGULATOR	1	1	1	1	1	1		
3	1	121000-66090	LEVER ASSY, REGULAT	1	1	1	1	1	1		
6	1	22242-000120	CIRCLIP 12	1	1	1	1	1	1		
7	1	24311-000090	O-RING 1A P-9.0	1	1	1	1	1	1		
8	1	26366-080002	NUT M 8	1	1	1	1	1	1		
9	1	121575-66200	SPRING, REGULATOR	1	1	1	1	1	1		

Fig.56. IDLE ADJUSTER

Fig. 56 アイドルアジャスタ
IDLE ADJUSTER



OCF10-G50502 56. IDLE ADJUSTER

(A)=2GM20
(B)=2GM20VE
(C)=2GM20B

(D)=2GM20C
(E)=2GM20F
(F)=2GM20FVE

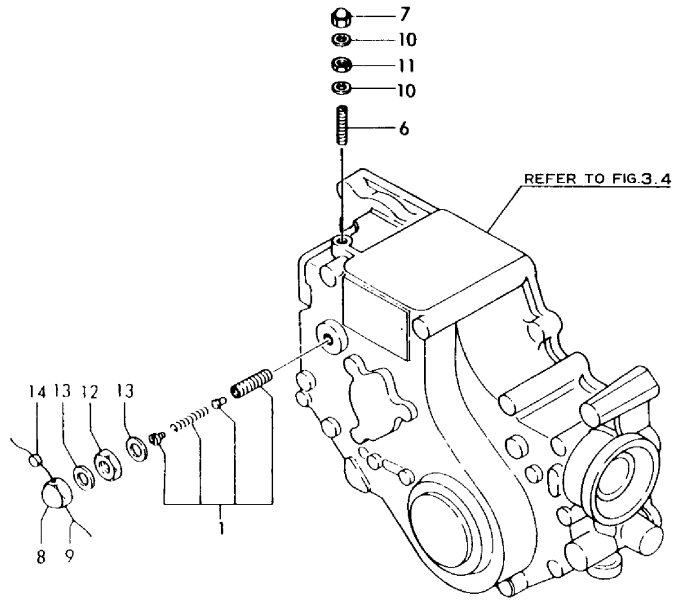
REF.	LEV.	PARTS NO.	DESCRIPTION	Q'TY						I	R
				(A)	(B)	(C)	(D)	(E)	(F)		
1	1	121575-66800	SCREW, ADJUST	1	1	1	1	1	1		
2	1	121575-66850	RETAINER	1	1	1	1	1	1		
3	1	26756-060002	LOCK NUT M 6 PLATED	1	1	1	1	1	1		

Fig.57. FUEL CONTROL DEVICE

(A)=2GM20
(B)=2GM20VE
(C)=2GM20B

(D)=2GM20C
(E)=2GM20F
(F)=2GM20FVE

Fig. 57 燃料制限装置
FUEL CONTROL DEVICE



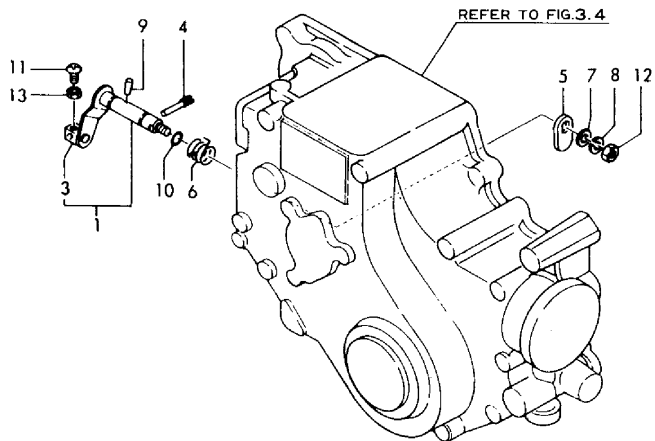
REF.	LEV.	PARTS NO.	DESCRIPTION	Q'TY						I	R
				(A)	(B)	(C)	(D)	(E)	(F)		
1	1	128270-66550	CONTROLLER ASSY	1	1	1	1	1	1		
6	1	121575-66800	SCREW, ADJUST	1	1	1	1	1	1		
7	1	128170-66870	CAP NUT M 6	1	1	1	1	1	1		
8	1	128170-66880	CAP NUT M12	1	1	1	1	1	1		
9	1	22451-100000	WIRE 1.0	1	1	1	1	1	1		
10	1	23414-060000	GASKET 6, ROUND	2	2	2	2	2	2		
11	1	26756-060002	LOCK NUT M 6 PLATED	1	1	1	1	1	1		
12	1	128170-66890	LOCK NUT M12	1	1	1	1	1	1		
13	1	43400-500450	SEAL WASHER 12S	2	2	2	2	2	2		
14	1	135210-61090	LEAD	1	1	1	1	1	1		

Fig.58. ENGINE STOP DEVICE

(A)=2GM20
(B)=2GM20VE
(C)=2GM20B

(D)=2GM20C
(E)=2GM20F
(F)=2GM20FVE

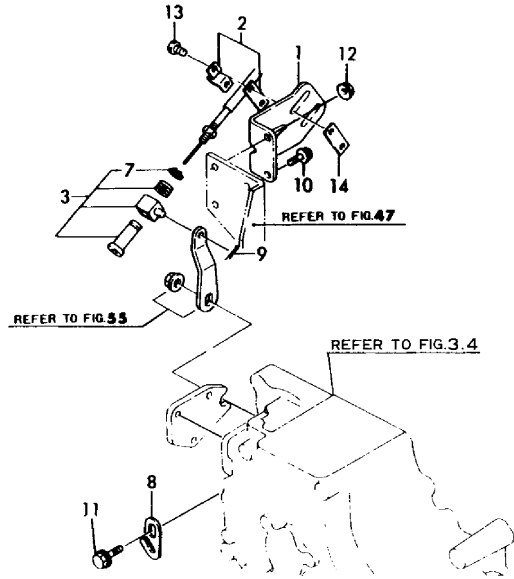
Fig. 58 機関停止装置
ENGINE STOP DEVICE



REF.	LEV.	PARTS NO.	DESCRIPTION	Q'TY						I	R
				(A)	(B)	(C)	(D)	(E)	(F)		
1	1	121575-66510	LEVER ASSY, ENG,STOP	1	1	1	1	1	1		
3	2	104211-03770	PLATE	1	1	1	1	1	1		
4	1	124250-03640	SCREW, STOP	1	1	1	1	1	1		
5	1	121575-66550	CAM	1	1	1	1	1	1		
6	1	121575-66580	SPRING, RETURN	1	1	1	1	1	1		
7	1	22117-060000	WASHER 6	1	1	1	1	1	1		
8	1	22217-060000	SPRING WASHER 6	1	1	1	1	1	1		
9	1	22322-030160	TAPER PIN 3X16	1	1	1	1	1	1		
10	1	24311-000070	O-RING 1A P-7.0	1	1	1	1	1	1		
11	1	26557-050122	SCREW M 5X 12	1	1	1	1	1	1		
12	1	26716-060002	NUT M 6	1	1	1	1	1	1		
13	1	26756-050002	LOCK NUT M 5 PLATED	1	1	1	1	1	1		

Fig.59. SPEED REMOTE CONTROL

Fig.59 スピードリモコン
SPEED REMOTE CONTROL



OCF10-G50502 59. SPEED REMOTE CONTROL

(A)=2GM20
(B)=2GM20VE
(C)=2GM20B

(D)=2GM20C
(E)=2GM20F
(F)=2GM20FVE

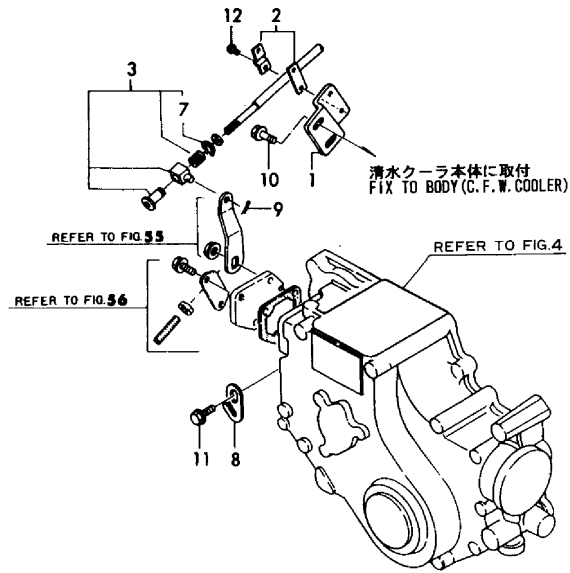
REF.	LEV.	PARTS NO.	DESCRIPTION	Q'TY						I	R
				(A)	(B)	(C)	(D)	(E)	(F)		
1	1	128270-67100	BRACKET, CABLE	1	1	1	1				
2	1	41710-000410	CLAMP	1	1	1	1				
3	1	105311-67200	RETAINER, JOINT	1	1	1	1				
7	2	22242-000100	CIRCLIP 10	1	1	1	1				
8	1	121575-67580	BRACKET, CABLE	1		1	1				
I	8-1	121575-67581	BRACKET, CABLE	1		1	1				N
		(A=E21167)	(C=E01588)	(D=E02119)							
9	1	22414-250150	COTTER PIN 2.5X15	1		1	1				
I	9-1	22360-080000	SNAP PIN 8	1		1	1				N
		(A=E15875)	(C=E01016)	(D=E01414)							
10	1	26106-060102	BOLT M 6X 10 PLATED	1	1	1	1				
11	1	26106-060122	BOLT M 6X 12 PLATED	1	1	1	1				
12	1	26366-060002	NUT M 6	1	1	1	1				
13	1	26557-050122	SCREW M 5X 12	2	2	2	2				
14	1	121574-86320	RETAINER	1	1	1	1				

Fig.60. SPEED REMOTE CONTROL

(A)=2GM20
(B)=2GM20VE
(C)=2GM20B

(D)=2GM20C
(E)=2GM20F
(F)=2GM20FVE

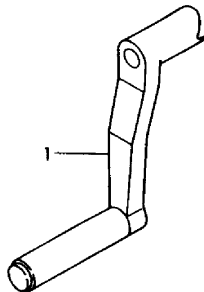
Fig.60 スピードリモコン
SPEED REMOTE CONTROL



REF.	LEV.	PARTS NO.	DESCRIPTION	Q'TY						I	R	
				(A)	(B)	(C)	(D)	(E)	(F)			
1	1	105311-67100	BRACKET, CABLE					1			1	
2	1	41710-000410	CLAMP					1			1	
3	1	105311-67200	RETAINER, JOINT					1			1	
7	2	22242-000100	CIRCLIP 10					1			1	
8	1	121575-67580	BRACKET, CABLE					1				
I 8-1	1	121575-67581	BRACKET, CABLE					1				N
9	1	22414-250150	COTTER PIN 2.5X15								1	
I 9-1	1	22360-080000	SNAP PIN 8								1	N
10	1	26106-060102	BOLT M 6X 10 PLATED								2	2
11	1	26106-060122	BOLT M 6X 12 PLATED								1	1
12	1	26557-050122	SCREW M 5X 12								2	2

Fig.61. HAND START

Fig. **61** ハンドスタート
HAND START



0CF10-G50502 61. HAND START

(A)=2GM20
(B)=2GM20VE
(C)=2GM20B

(D)=2GM20C
(E)=2GM20F
(F)=2GM20FVE

REF.	LEV.	PARTS NO.	DESCRIPTION	Q'TY						I	R
				(A)	(B)	(C)	(D)	(E)	(F)		
1	1	128170-76790	HANDLE, STARTING	1	1		1				

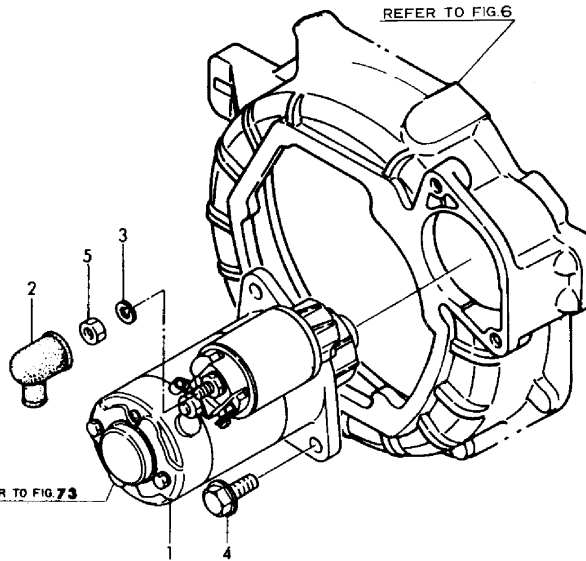
Fig.62. STARTING MOTOR

OCF10-G50502 62. STARTING MOTOR

(A)=2GM20
(B)=2GM20VE
(C)=2GM20B

(D)=2GM20C
(E)=2GM20F
(F)=2GM20FVE

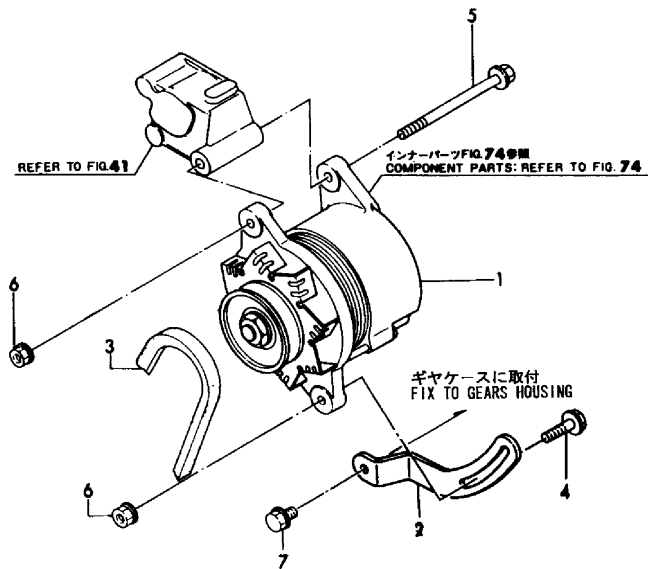
Fig.62 スターティングモータ
STARTING MOTOR



REF.	LEV.	PARTS NO.	DESCRIPTION	Q'TY						I	R
				(A)	(B)	(C)	(D)	(E)	(F)		
1	1	128170-77010	STARTER	1	1	1	1	1	1		
2	1	124550-77030	COVER, TERMINAL	1	1	1	1	1	1		
3	1	22217-080000	SPRING WASHER 8	1	1	1	1	1	1		
4	1	26106-100302	BOLT M10X 30 PLATED	2	2	2	2	2	2		
5	1	26756-080002	LOCK NUT M 8 PLATED	1	1	1	1	1	1		

Fig.63. GENERATOR

Fig. **63** ジェネレータ
GENERATOR



OCF10-G50502 63. GENERATOR

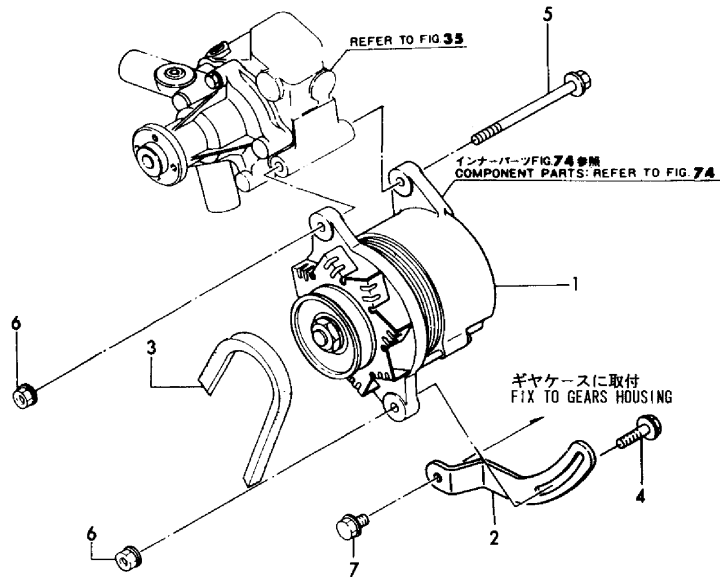
(A)=2GM20
(B)=2GM20VE
(C)=2GM20B

(D)=2GM20C
(E)=2GM20F
(F)=2GM20FVE

REF.	LEV.	PARTS NO.	DESCRIPTION	Q'TY						I	R
				(A)	(B)	(C)	(D)	(E)	(F)		
1	1	129772-77200	GENERATOR(12V-55A)	1	1	1	1				
2	1	128271-77330	ADJUSTER, BELT	1	1	1	1				
3	1	128670-77350	V-BELT (A-31)	1	1	1	1				
4	1	26106-080302	BOLT M 8X 30 PLATED	1	1	1	1				
5	1	128271-77340	BOLT M 8X120	1	1	1	1				
6	1	26366-080002	NUT M 8	2	2	2	2				
7	1	26106-100162	BOLT M10X 16 PLATED	1		1	1				Z
		(A=E00637)	(C=E00140)	(D=E00192)							

Fig.64. GENERATOR

Fig. **64** ジェネレータ
GENERATOR



OCF10-G50502 64. GENERATOR

(A)=2GM20
(B)=2GM20VE
(C)=2GM20B

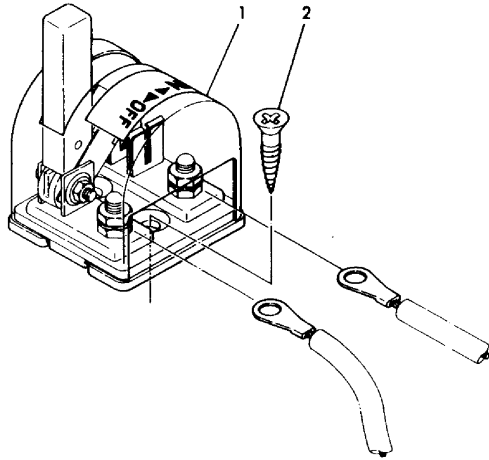
(D)=2GM20C
(E)=2GM20F
(F)=2GM20FVE

REF.	LEV.	PARTS NO.	DESCRIPTION	Q'TY						I	R
				(A)	(B)	(C)	(D)	(E)	(F)		
1	1	129772-77200	GENERATOR(12V-55A)					1	1		
2	1	128271-77330	ADJUSTER, BELT					1	1		
3	1	124732-42290	V-BELT (A-37)					1	1		
4	1	26106-080302	BOLT M 8X 30 PLATED					1	1		
5	1	128271-77340	BOLT M 8X120					1	1		
6	1	26366-080002	NUT M 8					2	2		
7	1	26106-100162	BOLT M10X 16 PLATED					1			Z

(E=E00827)

Fig.65. BATTERY SWITCH

Fig. **65** バッテリスイッチ
BATTERY SWITCH



OCF10-G50502 65. BATTERY SWITCH

(A)=2GM20
(B)=2GM20VE
(C)=2GM20B

(D)=2GM20C
(E)=2GM20F
(F)=2GM20FVE

REF.	LEV.	PARTS NO.	DESCRIPTION	Q'TY						I	R
				(A)	(B)	(C)	(D)	(E)	(F)		
1	1	123310-77640	SWITCH, BATTERY	1	1	1	1	1	1	1	1
2	1	22724-800380	SCREW 8X 38	2	2	2	2	2	2	2	1

Remarks

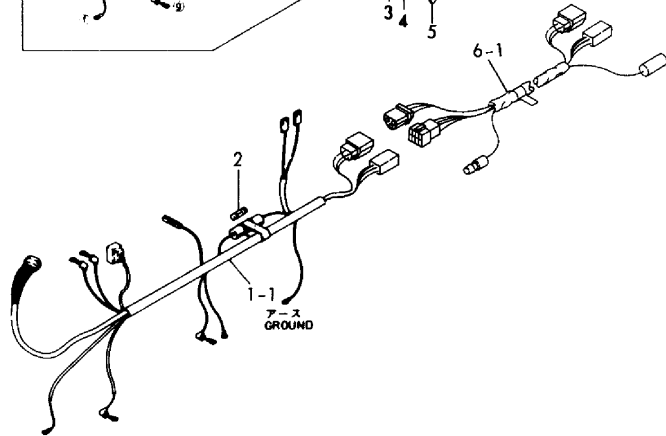
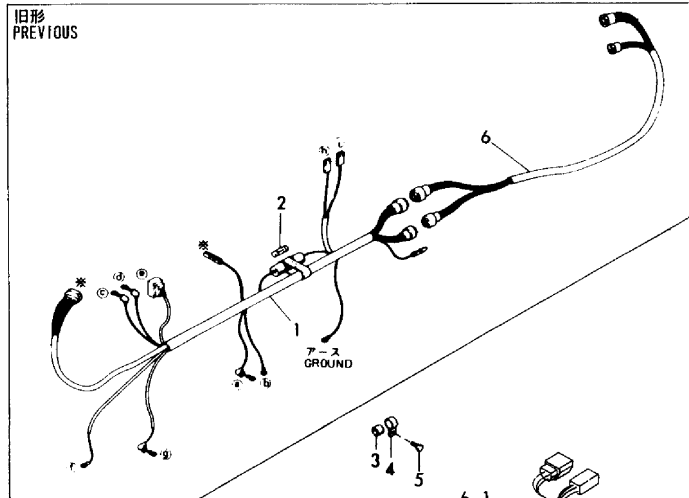
1)OPTIONAL FOR 2GM20,2GM20VE,
2GM20C,2GM20F,2GM20FVE.

Fig.66. WIRE HARNESS

(A)=2GM20
(B)=2GM20VE
(C)=2GM20B

(D)=2GM20C
(E)=2GM20F
(F)=2GM20FVE

Fig.66 ワイヤハーネス
WIRE HARNESS



REF.	LEV.	PARTS NO.	DESCRIPTION	Q'TY						I	R
				(A)	(B)	(C)	(D)	(E)	(F)		
1	1	128270-77921	HARNESS, WIRE	1	1	1	1				
I	1-1	128271-77920 (A=E21167)	HARNESS, WIRE (C=E01588) (D=E02119)	1 (E=E21137)	1	1	1	1			S
I	1-2	128271-77921 (A=E21404)	HARNESS, WIRE (C=E01589) (D=E02165)	1 (E=E21406)	1	1	1	1			N
	1-3	128271-77921	HARNESS, WIRE	1	1	1	1	1	1		
	2	46150-003680	FUSE 30A	1	1	1	1	1	1		
	3	124770-77940	PROTECTOR	1	1	1	1	1	1		
	4	124070-77950	CLAMP	1	1	1	1	1	1		
	5	26106-080142	BOLT M 8X 14 PLATED	1	1	1	1	1	1		
	6	128170-77500	CODE, EXTENSION	1		1	1	1			
I	6-1	128391-77700 (A=E21404)	HARNESS, WIRE(3M) (C=E01589) (D=E02165)	1 (E=E21406)		1	1	1			S

Fig.67. CLUTCH

Fig. **67** クラッチ
CLUTCH

イラスト ナシ
NOT ILLUSTRATED.

OCF10-G50502 67. CLUTCH

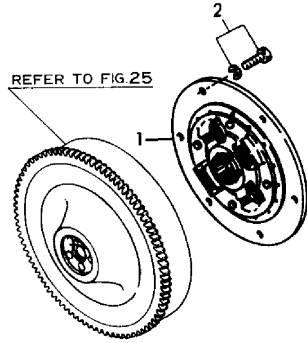
(A)=2GM20
(B)=2GM20VE
(C)=2GM20B

(D)=2GM20C
(E)=2GM20F
(F)=2GM20FVE

REF.	LEV.	PARTS NO.	DESCRIPTION	Q'TY						I	R
				(A)	(B)	(C)	(D)	(E)	(F)		
1	1	128171-81010	CLUTCH KM2C I=2.21	1	1		1				
1-1	1	128171-81110	CLUTCH KM2P I=2.21	1		1		1			N
		(A=E03567)	(C=E00235)					(E=E03567)			
2	1	128171-81020	CLUTCH KM2C I=2.62	1		1		1			
2-1	1	128171-81120	CLUTCH KM2P I=2.62	1		1		1			N
		(A=E03567)	(C=E00235)					(E=E03567)			
3	1	128171-81030	CLUTCH KM2C I=3.22	1		1		1			
3-1	1	128171-81130	CLUTCH KM2P I=3.22	1		1		1			N
		(A=E03567)	(C=E00235)					(E=E03567)			
4	1	128371-81050	DISK, DAMPER	1		1		1			
I 4-1	1	177070-03501	DISK (NON-ASB.)	1		1		1			N
		(A=E17927)	(C=E01263)					(E=E17887)			
5	1	26013-080142	BOLT M 8X 14	6	6	6		6	6		
6	1	26106-080452	BOLT M 8X 45 PLATED	8		8		8			
6-1	1	26106-080652	BOLT M 8X 65 PLATED			8					S
			(C=E00126)								
I 6-2	1	26106-080452	BOLT M 8X 45 PLATED			8					S
			(C=E00235)								
7	1	128171-81150	SPACER			1					W
			(C=E00126)								
I 7-1	1	128171-81150	SPACER			1					Z
			(C=E00235)								
8	1	128374-81310	CLUTCH ASSY I=2.36		1					1	
9	1	128374-81320	CLUTCH ASSY I=2.61		1					1	
10	1	128374-81330	CLUTCH ASSY I=3.20		1					1	

Fig.68. DUMPER DISK

Fig.68 ダンパディスク
DUMPER DISK



OCF10-G50502 68. DUMPER DISK

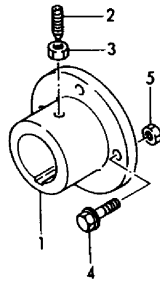
(A)=2GM20
(B)=2GM20VE
(C)=2GM20B

(D)=2GM20C
(E)=2GM20F
(F)=2GM20FVE

REF.	LEV.	PARTS NO.	DESCRIPTION	Q'TY						I	R	
				(A)	(B)	(C)	(D)	(E)	(F)			
1	1	128371-81050	DISK, DAMPER				1					
I 1-1	1	177070-03501	DISK (NON-ASB.) (D=E01626)				1					N
2	1	26013-080142	BOLT M 8X 14				6					

Fig.69. TAPER COUPLING

Fig.69 テーパーカップリング
TAPER COUPLING



OCF10-G50502 69. TAPER COUPLING

(A)=2GM20
(B)=2GM20VE
(C)=2GM20B

(D)=2GM20C
(E)=2GM20F
(F)=2GM20FVE

REF.	LEV.	PARTS NO.	DESCRIPTION	Q'TY						I	R
				(A)	(B)	(C)	(D)	(E)	(F)		
1	1	48110-028063	COUPLING 28, TAPER	1	1	1					1
I 1-1	1	48110-025063	COUPLING 25, TAPER (C=E01569)			1					N 1
2	1	48110-032411	SCREW	1	1	1					1
3	1	26756-080002	LOCK NUT M 8 PLATED	1	1	1					1
4	1	26106-100322	BOLT M10X 32 PLATED	4	4	4					1
5	1	26706-100002	NUT M10	4	4	4					1

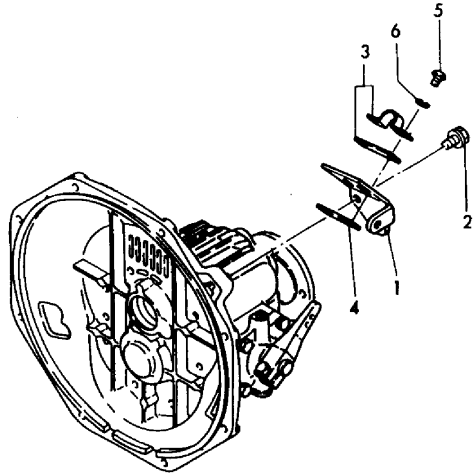
Remarks

1) OPTIONAL FOR 2GM20 & 2GM20VE

N:Old $\xleftrightarrow{\text{Yes}} \xleftarrow{\text{No}}$ New, Q:Old $\xleftrightarrow{\text{No}} \xleftarrow{\text{Yes}}$ New, R:Old $\xleftrightarrow{\text{Yes}} \xleftarrow{\text{No}}$ New, S:Old $\xleftrightarrow{\text{No}} \xleftarrow{\text{Yes}}$ New, W:Add, Z:Discontinued, F:Interchangeable by set, K:Q'ty Change

Fig.70. CLUTCH REMOTE CONTROL

Fig. **70** クラッチリモコン
CLUTCH REMOTE CONTROL



OCF10-G50502 70. CLUTCH REMOTE CONTROL

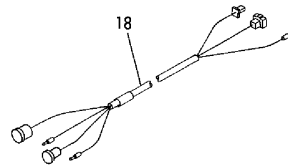
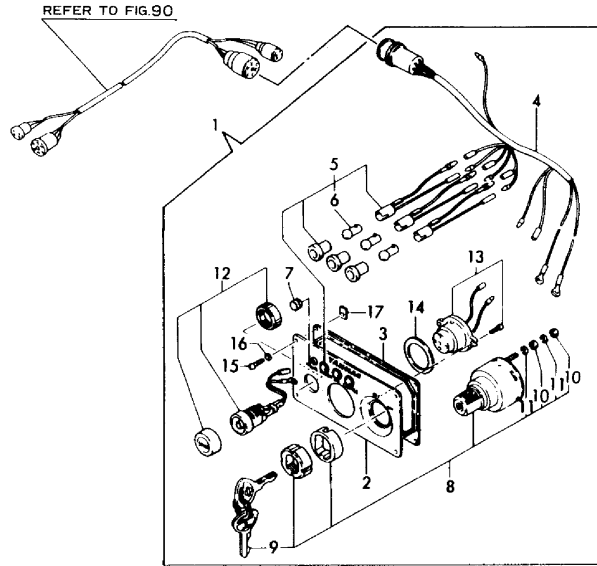
(A)=2GM20
(B)=2GM20VE
(C)=2GM20B

(D)=2GM20C
(E)=2GM20F
(F)=2GM20FVE

REF.	LEV.	PARTS NO.	DESCRIPTION	Q'TY						I	R
				(A)	(B)	(C)	(D)	(E)	(F)		
1	1	128170-86300	BRACKET, CABLE	1	1	1		1	1		
2	1	26106-060142	BOLT M 6X 14 PLATED	2	2	2		2	2		
3	1	41710-000410	CLAMP	1	1	1		1	1		
4	1	121574-86320	RETAINER	1	1	1		1	1		
5	1	26557-050122	SCREW M 5X 12	2	2	2		2	2		
6	1	22212-050000	SPRING WASHER	2	2	2		2	2		

Fig.71. PANEL(A-TYPE)

Fig.71 計器盤(Aタイプ)
PANEL(A-TYPE)



OCF10-G50502 71. PANEL(A-TYPE)

(A)=2GM20
(B)=2GM20VE
(C)=2GM20B

(D)=2GM20C
(E)=2GM20F
(F)=2GM20FVE

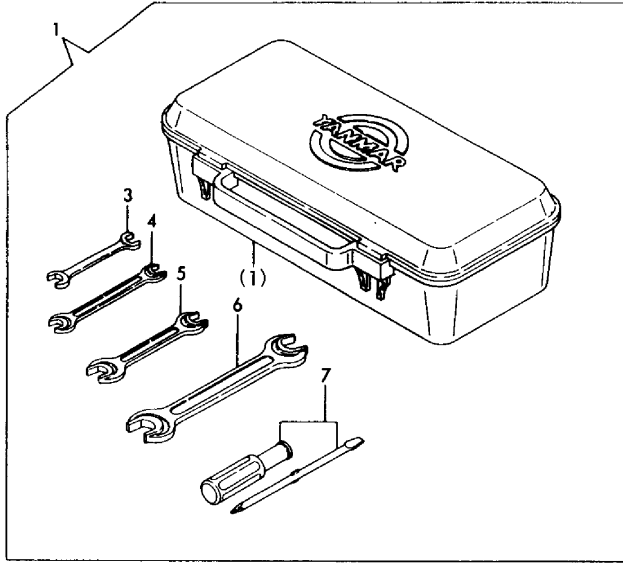
REF.	LEV.	PARTS NO.	DESCRIPTION	Q'TY						I	R	
				(A)	(B)	(C)	(D)	(E)	(F)			
1	1	128270-91001	PANEL ASSY, INSTRUM	1	1	1		1	1		1	
2	2	128270-91010	HOUSING, PANEL	1	1	1		1	1			
3	2	128270-91020	PACKING	1	1	1		1	1			
4	2	128270-91031	HARNES, WIRE	1	1	1		1	1			
5	2	128270-91040	LAMP, PILOT	3	3	3		3	3			
6	3	46150-001110	BULB(12V3W/G11.BA9S)	3	3	3		3	3			
7	2	128270-91230	COVER	1	1	1		1	1			
8	2	124070-91250	SWITCH W/KEY	1	1	1		1	1			
9	3	124070-91290	KEY, SWITCH	1	1	1		1	1			
10	3	26716-050002	NUT M 5	4	4	4		4	4			
11	3	22217-050000	SPRING WASHER 5	4	4	4		4	4			
12	2	124070-91300	SWITCH	1	1	1		1	1			
13	2	128270-91350	BUZZER, ALARM	1	1	1		1	1			
14	2	128270-91360	PACKING, BUZZER	1	1	1		1	1			
15	2	128170-91810	SCREW M5	4	4	4		4	4			
16	2	128170-91820	WASHER 5	4	4	4		4	4			
17	2	128170-91830	PLATE NUT M5	4	4	4		4	4			
18	1	128391-77860	HARNES, WIRE	1		1		1			W	
(A=E21167)				(C=E01588)				(E=E21137)				

Remarks

1) OPTIONAL FOR 2GM20,2GM20VE,
2GM20F,2GM20FVE.

Fig.72. TOOL

Fig.72 工具
TOOL



(A)=2GM20
(B)=2GM20VE
(C)=2GM20B

(D)=2GM20C
(E)=2GM20F
(F)=2GM20FVE

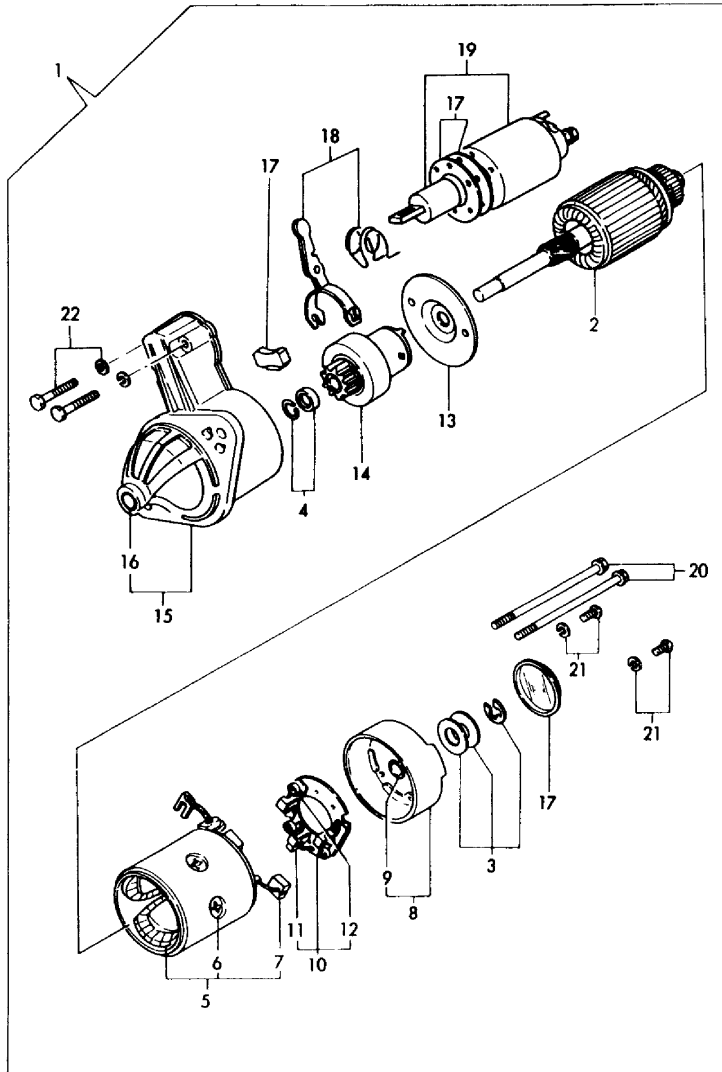
REF.	LEV.	PARTS NO.	DESCRIPTION	Q'TY						I	R
				(A)	(B)	(C)	(D)	(E)	(F)		
1	1	704507-92100	BOX ASSY, TOOL	1	1	1	1	1	1		
3	2	28110-100130	WRENCH 10X13	1	1	1	1	1	1		
4	2	28110-120140	WRENCH 12X14	1	1	1	1	1	1		
5	2	28110-170190	WRENCH 17X19	1	1	1	1	1	1		
6	2	28110-220240	WRENCH 22X24	1	1	1	1	1	1		
7	2	104200-92350	DRIVER, SCREW	1	1	1	1	1	1		

Fig.73. STARTING MOTOR COMPONENT PART

(A)=2GM20
(B)=2GM20VE
(C)=2GM20B

(D)=2GM20C
(E)=2GM20F
(F)=2GM20FVE

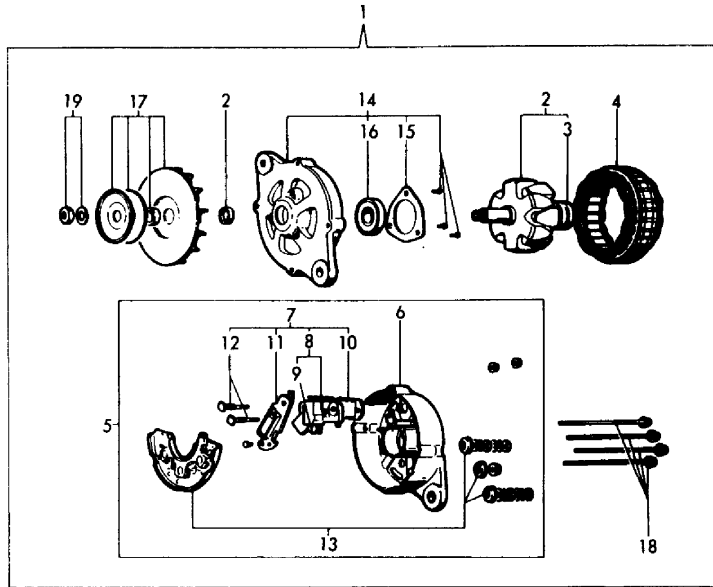
Fig.73 スターティングモータ インナーパーツ
STARTING MOTOR COMPONENT PART



REF.	LEV.	PARTS NO.	DESCRIPTION	QTY						I	R
				(A)	(B)	(C)	(D)	(E)	(F)		
1	1	128170-77010	STARTER	1	1	1	1	1	1		
2	2	X211451005	ARMATURE	1	1	1	1	1	1		
3	2	X21148110	WASHER SET, THRUST	1	1	1	1	1	1		
4	2	X21147155	STOPPER SET, PINION	1	1	1	1	1	1		
5	2	X211462101	COIL ASSY, FIELD	1	1	1	1	1	1		
6	3	X21143215	SCREW, CORE	4	4	4	4	4	4		
7	3	X21145312	BRUSH (+)	2	2	2	2	2	2		
8	2	X211413005	COVER ASSY	1	1	1	1	1	1		
9	3	X21145352	METAL	1	1	1	1	1	1		
10	2	X211433101	HOLDER	1	1	1	1	1	1		
11	3	X21148313	BRUSH (-)	2	2	2	2	2	2		
12	3	X21145314	SPRING	4	4	4	4	4	4		
13	2	X21144454	PLATE	1	1	1	1	1	1		
14	2	X211415006	PINION ASSY	1	1	1	1	1	1		
15	2	X211476503	CASE ASSY	1	1	1	1	1	1		
16	3	X21145661	METAL, GEAR CASE	1	1	1	1	1	1		
17	2	X21146963	COVER	1	1	1	1	1	1		
18	2	X21149652	LEVER SET, SHIFT	1	1	1	1	1	1		
19	2	X211447009	SWITCH	1	1	1	1	1	1		
20	2	X21148852	BOLT, THROUGH	2	2	2	2	2	2		
21	2	X21142835	SCREW SET	2	2	2	2	2	2		
22	2	X21145866	BOLT	2	2	2	2	2	2		

Fig.74. GENERATOR COMPONENT PART

Fig.74 ジェネレータ インナーパーツ
GENERATOR COMPONENT PART



OCF10-G50502 74. GENERATOR COMPONENT PART

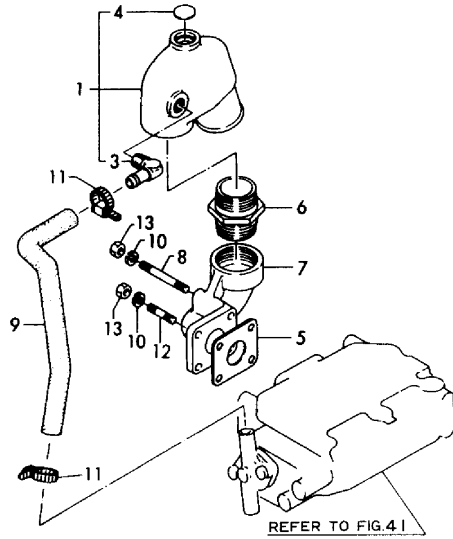
(A)=2GM20
(B)=2GM20VE
(C)=2GM20B

(D)=2GM20C
(E)=2GM20F
(F)=2GM20FVE

REF.	LEV.	PARTS NO.	DESCRIPTION	Q'TY						I	R				
				(A)	(B)	(C)	(D)	(E)	(F)						
1	1	129772-77200	GENERATOR(12V-55A)	1	1	1	1	1	1						
2	2	XL15571001	ROTOR ASSY	1	1	1	1	1	1						
3	3	X6201SD	BALL BEARING	1	1	1	1	1	1						
4	2	XL15542001	STATOR ASSY	1	1	1	1	1	1						
5	2	XL15553002	COVER ASSY, REAR	1	1	1	1	1	1						
6	3	XL22553012	COVER, REAR	1	1	1	1	1	1						
7	3	XL1556315	REGULATOR ASSY,BRUSH	1	1	1	1	1	1						
8	4	XL2255330	BRUSH ASSY	1	1	1	1	1	1		1				
9	4	XL12013262	BRUSH	2	2	2	2	2	2						
10	4	XTR1Z63	REGULATOR	1	1	1	1	1	1						
11	4	XL2251318	CONDENCER ASSY	1	1	1	1	1	1						
12	4	XL13513134	BOLT M5	2	2	2	2	2	2						
13	3	XL2253320	DIODE ASSY	1	1	1	1	1	1						
14	2	XL2253400	FRONT COVER ASSY	1	1	1	1	1	1						
15	3	XL15014042	BEARING RETAINER	1	1	1	1	1	1						
16	3	X6203BM	BALL BEARING	1	1	1	1	1	1						
17	2	XL22555001	PULLEY ASSY	1		1	1	1							
17-1	2	XL1557500	PULLEY ASSY	1		1	1	1			N				
(A=E11892)				(C=E00694)				(D=E01003)				(E=E11886)			
18	2	XL15018015	BOLT, THROUGH	4	4	4	4	4	4	4					
19	2	XL1501810	NUT ASSY, PULLEY	1	1	1	1	1	1	1					
20	2	XL15028001	SCREW ASSY	1	1	1	1	1	1	1					

Fig.75. MIXING ELBOW(OPTIONAL)

Fig.75 ミキシングエルボ(オプション)
MIXING ELBOW(OPTIONAL)



OCF10-G50502 75. MIXING ELBOW(OPTIONAL)

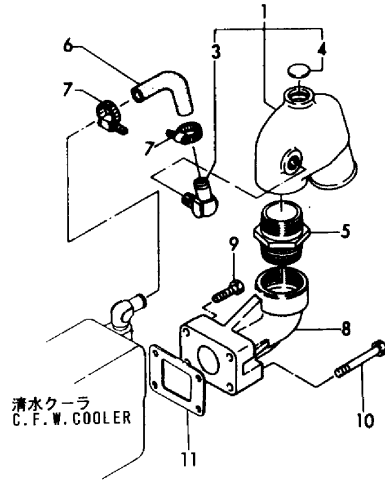
(A)=2GM20
(B)=2GM20VE
(C)=2GM20B

(D)=2GM20C
(E)=2GM20F
(F)=2GM20FVE

REF.	LEV.	PARTS NO.	DESCRIPTION	Q'TY						I	R
				(A)	(B)	(C)	(D)	(E)	(F)		
1	1	128270-13600	ELBOW, U-TYPE	1	1	1	1				
3	2	128270-13620	JOINT PT3/8, PIPE	1	1	1	1				
4	2	27233-250000	PLUG 25	1	1	1	1				
5	1	124000-13200	GASKET, SILENCER	1	1	1	1				
6	1	104214-13580	JOINT	1	1	1	1				
7	1	128270-13610	ELBOW, EXHAUST	1	1	1	1				
8	1	26213-080702	STUD M 8X 70	2		2	2				
8-1	1	128270-13650	STUD BOLT	2		2	2				N
		(A=EXXX)	(C=EXXX)	(D=EXXX)							
9	1	128270-49250	PIPE, COOLING WATER	1	1	1	1				
10	1	22217-080000	SPRING WASHER 8	4	4	4	4				
11	1	23000-022000	CLAMP 22	2	2	2	2				
12	1	26213-080222	STUD M 8X 22	2	2	2	2				
13	1	26703-080002	NUT M 8	4		4	4				
13-1	1	26713-080002	NUT M 8	4		4	4				R
		(A=EXXX)	(C=EXXX)	(D=EXXX)							

Fig.76. MIXING ELBOW(OPTIONAL)

Fig.76 ミキシングエルボ (オプション)
MIXING ELBOW (OPTIONAL)



OCF10-G50502 76. MIXING ELBOW(OPTIONAL)

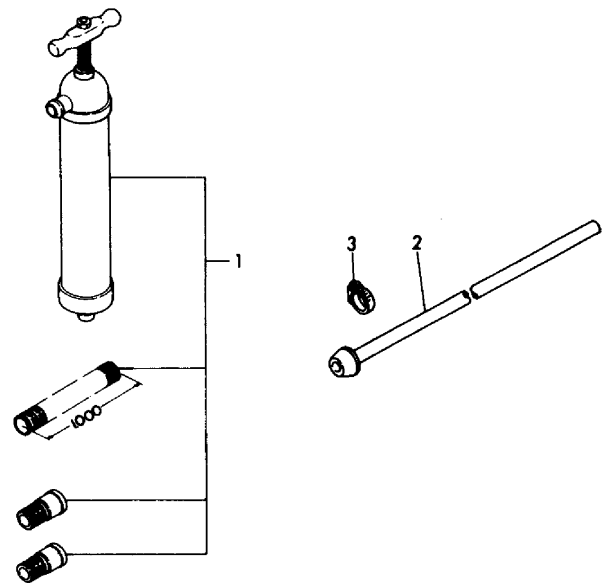
(A)=2GM20
(B)=2GM20VE
(C)=2GM20B

(D)=2GM20C
(E)=2GM20F
(F)=2GM20FVE

REF.	LEV.	PARTS NO.	DESCRIPTION	Q'TY						I	R	
				(A)	(B)	(C)	(D)	(E)	(F)			
1	1	124070-13520	ELBOW, MIXING					1			1	
3	2	124070-13300	ELBOW (PT3/8)					1			1	
4	2	27233-250000	PLUG 25					1			1	
5	1	104214-13580	JOINT					1			1	
6	1	128690-49250	PIPE, COOLING WATER					1			1	
7	1	23000-025000	CLAMP 25					2			2	
8	1	128370-13610	ELBOW, EXHAUST					1			1	
9	1	26116-080402	BOLT M 8X 40 PLATED					2				
9-1	1	26203-080402	BOLT M 8X 40					2				N
								(E=EXXX)				
10	1	26116-080602	BOLT M 8X 60 PLATED					2				
10-1	1	26203-080602	BOLT M 8X 60					2				N
								(E=EXXX)				
11	1	128370-13200	GASKET					1				W
								(E=EFROM 1ST)				
I 11-1	1	128370-13201	GASKET, (NON-ASB.)					1				N
								(E=E17941)				

Fig.77. LUB. OIL WASTE PUMP(OPTIONAL)

Fig.77 潤滑油排油ポンプ(オプション)
LUB. OIL WASTE PUMP (OPTIONAL)



OCF10-G50502 77. LUB. OIL WASTE PUMP(OPTIONAL)

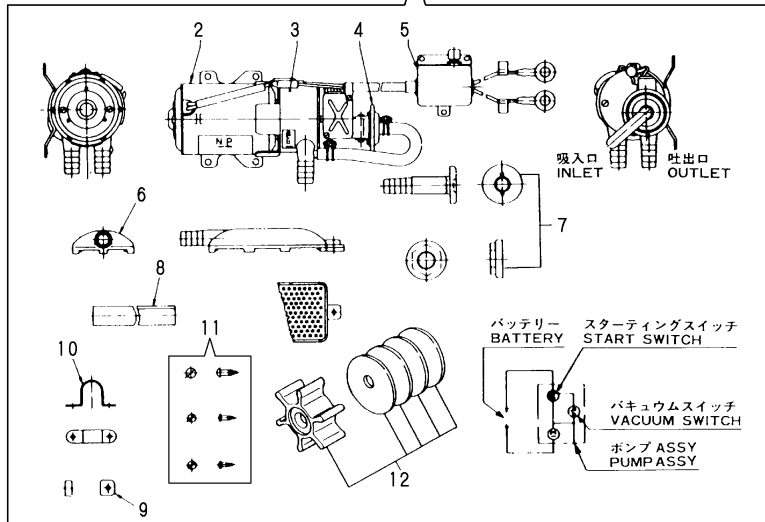
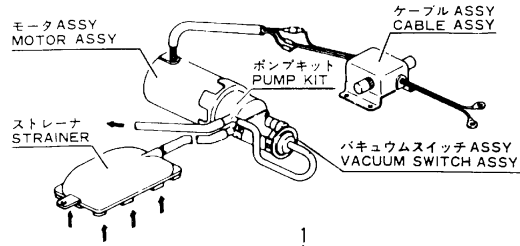
(A)=2GM20
(B)=2GM20VE
(C)=2GM20B

(D)=2GM20C
(E)=2GM20F
(F)=2GM20FVE

REF.	LEV.	PARTS NO.	DESCRIPTION	Q'TY						I	R
				(A)	(B)	(C)	(D)	(E)	(F)		
1	1	28210-000080	PUMP	1	1	1	1	1	1		
2	1	128275-39710	PIPE, LUB OIL	1	1	1	1	1	1		
3	1	23080-018000	CLAMP 18	3	3	3	3	3	3		

Fig.78. ELECTRIC BILGE PUMP(12,OPTIONA

P/C NEWS No:Y00F5052-4
PUBLISHED:2004/7



OCF10-G50502 78. ELECTRIC BILGE PUMP(12,OPTIONA

(A)=2GM20
(B)=2GM20VE
(C)=2GM20B

(D)=2GM20C
(E)=2GM20F
(F)=2GM20FVE

REF.	LEV.	PARTS NO.	DESCRIPTION	Q'TY						I	R
				(A)	(B)	(C)	(D)	(E)	(F)		
1	1	977782-00122	PUMP(12V), BILGE	1	1	1	1	1	1		
I	2	XBP2901200	MOTOR ASSY.	1	1	1	1	1	1		M
I	2-1	XBP1902200	MOTER ASSY	1	1	1	1	1	1		
3	2	XBP1901300	PUMP SET	1	1	1	1	1	1		
4	2	XBP1902400	VACUUM SWITCH ASSY	1	1	1	1	1	1		
5	2	XBP1905500	CABLE ASSY.	1	1	1	1	1	1		
6	2	XBP1902810	STRAINER	1	1	1	1	1	1		
7	2	XBP1901820	OUTLET	1	1	1	1	1	1		
8	2	XBP1901830	HOSE	1	1	1	1	1	1		
9	2	XBP1901910	SPACER	1	1	1	1	1	1		
10	2	XBP1901920	CLAMP	1	1	1	1	1	1		
11	2	XBP1901950	SCREW SET	1	1	1	1	1	1		
12	2	947859-20010	IMPELLER	1	1	1	1	1	1		

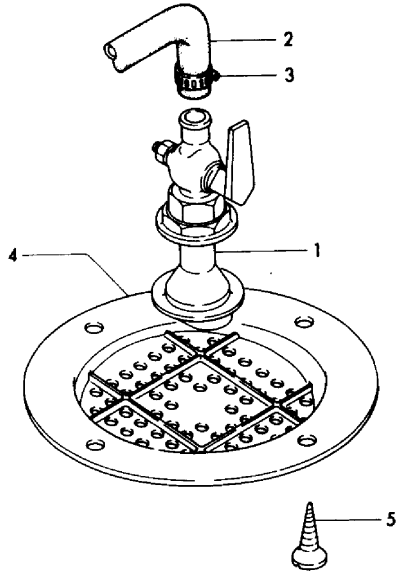
Remarks

(M)MISPRINT:REFER TO THE NEXT ITEM.

N:Old $\begin{matrix} \leftarrow \text{Yes} \\ \text{No} \end{matrix}$ New, Q:Old $\begin{matrix} \leftarrow \text{No} \\ \text{Yes} \end{matrix}$ New, R:Old $\begin{matrix} \leftarrow \text{Yes} \\ \text{Yes} \end{matrix}$ New, S:Old $\begin{matrix} \leftarrow \text{No} \\ \text{No} \end{matrix}$ New, W:Add, Z:Discontinued, F:Interchangeable by set, K:Q'ty Change

Fig.79. KINGSTON COCK(OPTIONAL)

Fig.79 キングストンコック(オプション)
KINGSTON COCK (OPTIONAL)



OCF10-G50502 79. KINGSTON COCK(OPTIONAL)

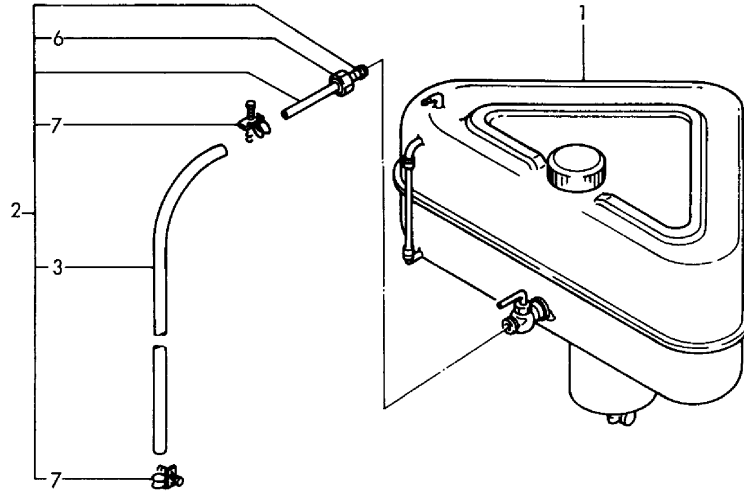
(A)=2GM20
(B)=2GM20VE
(C)=2GM20B

(D)=2GM20C
(E)=2GM20F
(F)=2GM20FVE

REF.	LEV.	PARTS NO.	DESCRIPTION	Q'TY						I	R	
				(A)	(B)	(C)	(D)	(E)	(F)			
1	1	43662-015020	COCK ASSY, SEA WATER					1			1	
2	1	124223-49050	PIPE, COOLING WATER					1			1	
3	1	23000-025000	CLAMP 25					2			2	
4	1	43666-020951	COVER, STRAINER					1			1	
5	1	22724-800380	SCREW 8X 38					4			4	

Fig.80. FUEL TANK(OPTIONAL)

Fig. **80** 燃料タンク (オプション)
FUEL TANK (OPTIONAL)



OCF10-G50502 80. FUEL TANK(OPTIONAL)

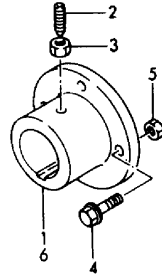
(A)=2GM20
(B)=2GM20VE
(C)=2GM20B

(D)=2GM20C
(E)=2GM20F
(F)=2GM20FVE

REF.	LEV.	PARTS NO.	DESCRIPTION	Q'TY						I	R
				(A)	(B)	(C)	(D)	(E)	(F)		
1	1	83213-003012	TANK (30L), FUEL	1	1	1	1	1	1		
2	1	124070-59060	PIPE, FUEL OIL	1	1	1	1	1	1		
3	2	124070-59130	PIPE, FUEL OIL	1	1	1	1	1	1		
6	2	138603-59380	CAP NUT	1	1	1	1	1	1		
7	2	23010-014000	CLAMP 14	2	2	2	2	2	2		

Fig.82. TAPER COUPLING(OPTIONAL)

Fig.82 テーパーカップリング(オプション)
TAPER COUPLING (OPTIONAL)



OCF10-G50502 82. TAPER COUPLING(OPTIONAL)

(A)=2GM20
(B)=2GM20VE
(C)=2GM20B

(D)=2GM20C
(E)=2GM20F
(F)=2GM20FVE

REF.	LEV.	PARTS NO.	DESCRIPTION	Q'TY						I	R
				(A)	(B)	(C)	(D)	(E)	(F)		
1	1	48110-028063	COUPLING 28, TAPER	1	1			1	1		1
2	1	48110-032411	SCREW	1	1			1	1		
3	1	26756-080002	LOCK NUT M 8 PLATED	1	1			1	1		
4	1	26106-100322	BOLT M10X 32 PLATED	4	4			4	4		
5	1	26706-100002	NUT M10	4	4			4	4		
6	1	48110-025063	COUPLING 25, TAPER	1				1			W 1

(A=E12944)

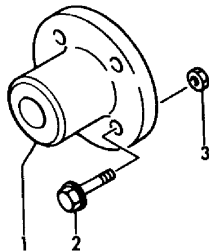
(E=E12988)

Remarks

1)SELECT PART.

Fig.83. COUPLING(OPTIONAL)

Fig.83 カップリング(オプション)
COUPLING (OPTIONAL)



OCF10-G50502 83. COUPLING(OPTIONAL)

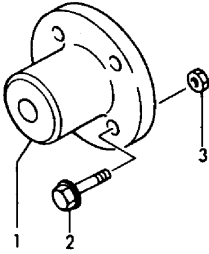
(A)=2GM20
(B)=2GM20VE
(C)=2GM20B

(D)=2GM20C
(E)=2GM20F
(F)=2GM20FVE

REF.	LEV.	PARTS NO.	DESCRIPTION	Q'TY						I	R
				(A)	(B)	(C)	(D)	(E)	(F)		
1	1	105583-85900	COUPLING (22), SOLID	1	1			1	1		
2	1	26106-100352	BOLT M10X 35 PLATED	4				4			
2-1	1	26106-100322	BOLT M10X 32 PLATED	4				4			N
3	1	26706-100002	NUT M10	4	4			4	4		

Fig.84. STRAIGHT COUPLING(OPTIONAL)

Fig.84 ストレートカップリング(オプション)
 STRAIGHT COUPLING (OPTIONAL)



OCF10-G50502 84. STRAIGHT COUPLING(OPTIONAL)

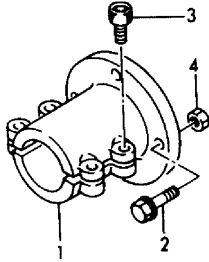
(A)=2GM20
 (B)=2GM20VE
 (C)=2GM20B

(D)=2GM20C
 (E)=2GM20F
 (F)=2GM20FVE

REF.	LEV.	PARTS NO.	DESCRIPTION	Q'TY						I	R
				(A)	(B)	(C)	(D)	(E)	(F)		
1	1	45414-500260	COUPLING (16)	1	1			1	1		
2	1	26106-100322	BOLT M10X 32 PLATED	4	4			4	4		
3	1	26706-100002	NUT M10	4	4			4	4		
4	1	48110-032411 (A=E12944)	SCREW	1				1			W
								(E=E12988)			

Fig.85. SLIT COUPLING(OPTIONAL)

Fig.85 スリットカップリング(オプション)
SLIT COUPLING (OPTIONAL)



OCF10-G50502 85. SLIT COUPLING(OPTIONAL)

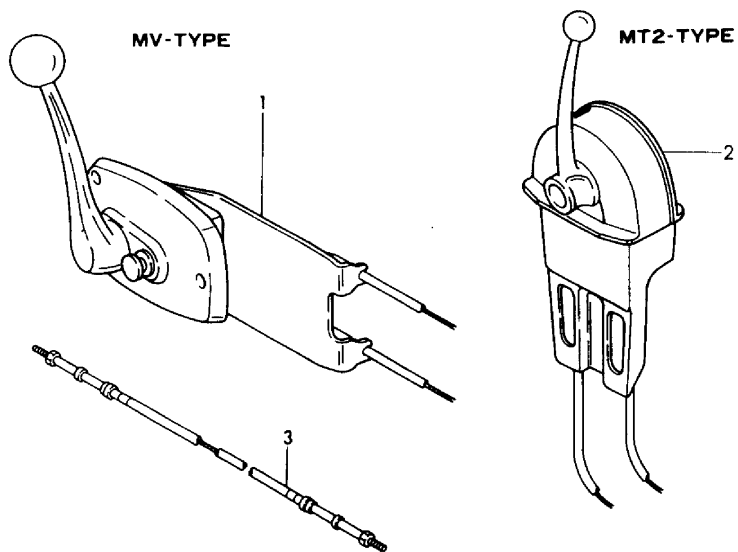
(A)=2GM20
(B)=2GM20VE
(C)=2GM20B

(D)=2GM20C
(E)=2GM20F
(F)=2GM20FVE

REF.	LEV.	PARTS NO.	DESCRIPTION	Q'TY						I	R
				(A)	(B)	(C)	(D)	(E)	(F)		
1	1	104214-83980	COUPLING (20), SLIT	1	1	1		1	1		
2	1	26106-100322	BOLT M10X 32 PLATED	4	4	4		4	4		
3	1	26450-080282	BOLT M 8X 28	4	4	4		4	4		
4	1	26706-100002	NUT M10	4	4	4		4	4		

Fig.86. SINGLE LEVER CONTROL(OPTIONAL)

Fig. **86** シングルレバーコントロール(オプション)
SINGLE LEVER CONTROL(OPTIONAL)



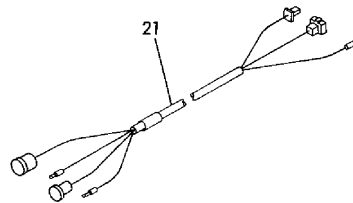
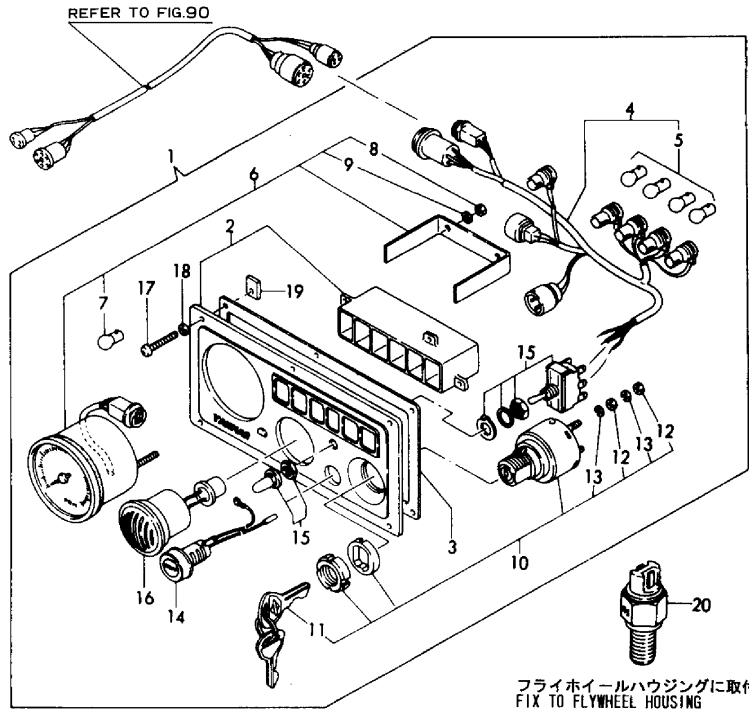
OCF10-G50502 86. SINGLE LEVER CONTROL(OPTIONAL)

(A)=2GM20 (D)=2GM20C
(B)=2GM20VE (E)=2GM20F
(C)=2GM20B (F)=2GM20FVE

REF.	LEV.	PARTS NO.	DESCRIPTION	Q'TY						I	R
				(A)	(B)	(C)	(D)	(E)	(F)		
1	1	128170-86500	MOUNT	1	1	1	1				
2	1	196311-34250	HEAD, REMOTE-CONTROL	1	1	1	1				
2-1	1	41730-000680	HEAD, REMOTE-CONTROL	1	1	1	1				S
3	1	(A=E12944) 41710-000380	(C=E00768) (D=E01081) CABLE L=4000	(E=E12988) 2	2	2	2	2	2		

Fig.87. PANEL(B-TYPE)(OPTIONAL)

Fig.87 計器盤(Bタイプ)(オプション)
PANEL(B-TYPE)(OPTIONAL)



OCF10-G50502 87. PANEL(B-TYPE)(OPTIONAL)

(A)=2GM20 (D)=2GM20C
(B)=2GM20VE (E)=2GM20F
(C)=2GM20B (F)=2GM20FVE

REF.	LEV.	PARTS NO.	DESCRIPTION	Q'TY						I	R
				(A)	(B)	(C)	(D)	(E)	(F)		
1	1	128170-91001	PANEL ASSY, INSTRUM	1	1	1	1	1	1		
2	2	128170-91010	HOUSING, PANEL	1	1	1	1	1	1		
3	2	128170-91020	GASKET	1	1	1	1	1	1		
4	2	128170-91031	HARNES, WIRE	1	1	1	1	1	1		
5	3	46150-001110	BULB(12V3W/G11.BA9S)	4	4	4	4	4	4		
6	2	128170-91100	TACHOMETER (P=97)	1	1	1	1	1	1		
7	3	46150-001110	BULB(12V3W/G11.BA9S)	1	1	1	1	1	1		
8	3	26716-050002	NUT M 5	2	2	2	2	2	2		
9	3	22217-050000	SPRING WASHER 5	2	2	2	2	2	2		
10	2	124070-91250	SWITCH W/KEY	1	1	1	1	1	1		
11	3	124070-91290	KEY, SWITCH	1	1	1	1	1	1		
12	3	26716-050002	NUT M 5	4	4	4	4	4	4		
13	3	22217-050000	SPRING WASHER 5	4	4	4	4	4	4		
14	2	124070-91300	SWITCH	1	1	1	1	1	1		
15	2	128170-91310	SWITCH, LAMP	1	1	1	1	1	1		
16	2	104271-91351	BUZZER	1	1	1	1	1	1		
17	2	128170-91810	SCREW M5	6	6	6	6	6	6		
18	2	128170-91820	WASHER 5	6	6	6	6	6	6		
19	2	128170-91830	PLATE NUT M5	6	6	6	6	6	6		
20	1	128170-91160	SENSOR, TACHOMETER	1	1	1	1	1	1		
21	1	128391-77860	HARNES, WIRE	1	1	1	1	1	1		W

(A)=E21167) (C)=E01588) (D)=E02119) (E)=E21137)

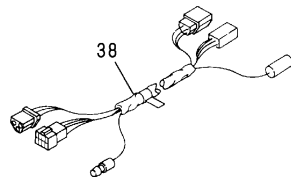
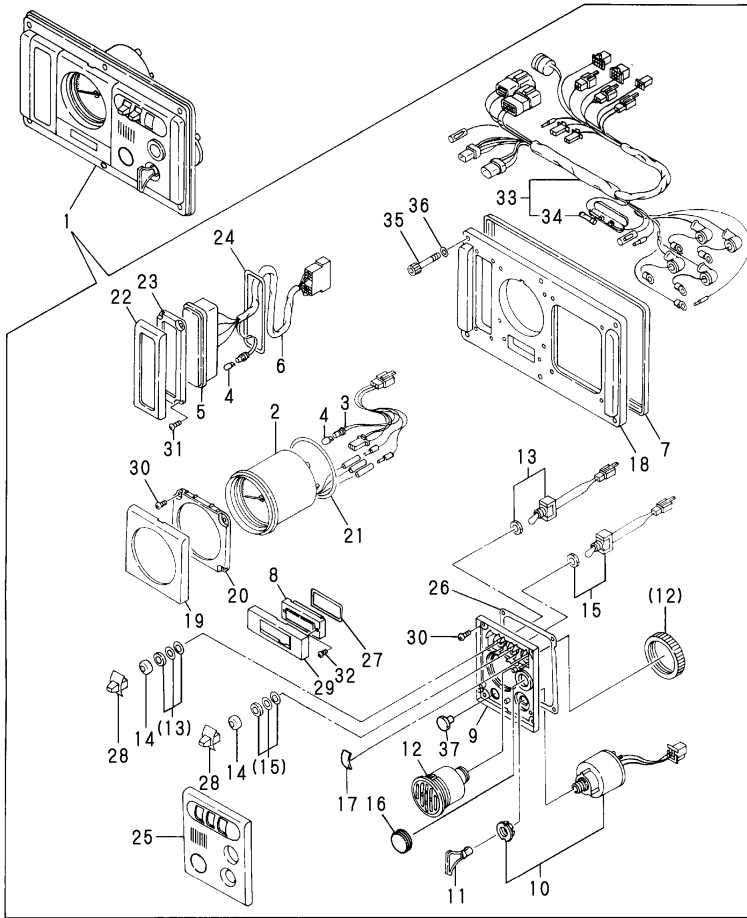
Fig.88. PANEL(B-TYPE,NEW,OPTIONAL)

(A)=2GM20
(B)=2GM20VE
(C)=2GM20B

(D)=2GM20C
(E)=2GM20F
(F)=2GM20FVE

P/C NEWS No:Y00F5052-3
PUBLISHED:2003/7

Fig. 88 計器盤 (Bタイプ, 新形, オプション)
INSTRUMENT PANEL (B-TYPE, NEW, OPTIONAL)

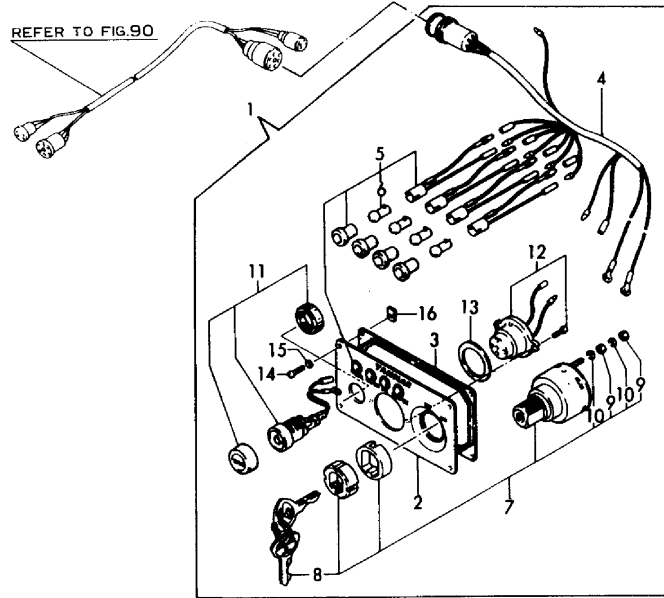


REF.	LEV.	PARTS NO.	DESCRIPTION	QTY						I	R	
				(A)	(B)	(C)	(D)	(E)	(F)			
1	1	128391-91130	PANEL ASSY, INSTRUM				1					1
2	2	128391-91200	METER, TACHO./HOUR				1					
3	2	129574-91870	WIRE				1					
4	2	124617-91980	BULB				6					
I 5	2	119183-91860	WIRE				1					M
I 5-1	2	128391-91260	BOX, ARARM				1					
6	2	128391-91860	WIRE				1					
7	2	128391-91700	PACKING				1					
8	2	129170-91650	COVER				1					
9	2	129574-91410	BRACKET				1					
10	2	121575-91250	SWITCH W/KEY				1					
11	2	123482-91291	KEY, SWITCH				1					
12	2	104271-91352	BUZZER				1					
13	2	129170-91800	SWITCH				1					
14	2	129574-91780	CAP				2					
15	2	129574-91790	SWITCH				1					
16	2	120324-91690	BLIND				1					
17	2	129170-91810	BLIND				1					
18	2	128391-91930	PANEL				1					
19	2	129574-91620	COVER				1					
20	2	129574-91420	BRACKET				1					
21	2	129574-91720	GASKET				1					
22	2	128391-91640	COVER				1					
23	2	128391-91440	PLATE				1					
24	2	128391-91740	GASKET				1					
25	2	120324-91610	COVER				1					
26	2	129574-91710	GASKET				1					
27	2	129574-91750	GASKET				1					
28	2	129574-91770	KNOB				2					
29	2	129574-91650	COVER				1					
30	2	127692-91410	SCREW				8					
31	2	127692-91440	SCREW				4					
32	2	127692-91450	SCREW				2					
33	2	128391-91850	HARNESS, WIRE				1					
34	3	124617-91990	FUSE (3A)				1					
35	2	127687-91870	BOLT 6X 35				6					
36	2	127687-91880	WASHER				6					
I 37	2	129574-91760	BLIND				1					W
				(D=*1994.01)								
38	1	128391-77700	HARNESS, WIRE(3M)				1					

Remarks
(1)FOR 2GM20B TYPE NEW PANEL
(E/#01588)
(M)MISPRINT:REFER TO THE NEXT ITEM.

Fig.89. PANEL(A-TYPE)(OPTIONAL)

Fig. 89 計器盤 (Aタイプ) (オプション)
PANEL (A-TYPE) (OPTIONAL)



OCF10-G50502 89. PANEL(A-TYPE)(OPTIONAL)

(A)=2GM20
(B)=2GM20VE
(C)=2GM20B

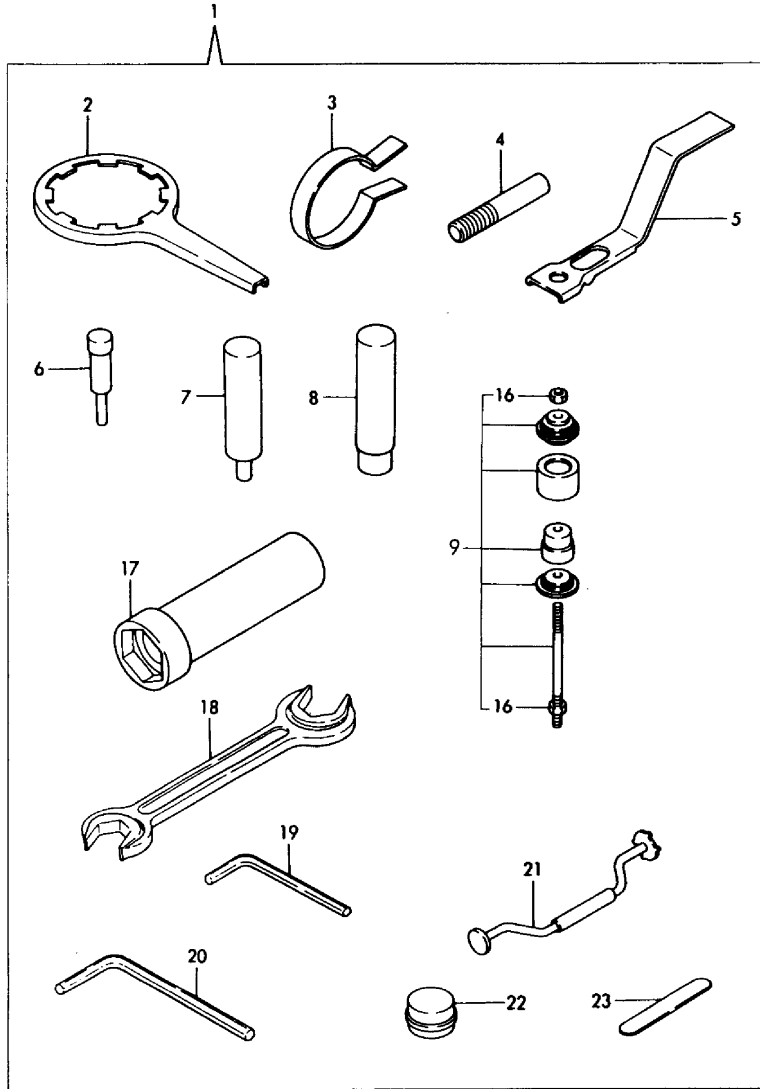
(D)=2GM20C
(E)=2GM20F
(F)=2GM20FVE

REF.	LEV.	PARTS NO.	DESCRIPTION	Q'TY						I	R
				(A)	(B)	(C)	(D)	(E)	(F)		
1	1	128371-91000	PANEL ASSY, INSTRUM				1				
2	2	128270-91010	HOUSING, PANEL				1				
3	2	128270-91020	PACKING				1				
4	2	128371-91030	HARNES, WIRE				1				
5	2	128270-91040	LAMP, PILOT				4				
6	3	46150-001110	BULB(12V3W/G11.BA9S)				4				
7	2	124070-91250	SWITCH W/KEY				1				
8	3	124070-91290	KEY, SWITCH				1				
9	3	26716-050002	NUT M 5				4				
10	3	22217-050000	SPRING WASHER 5				4				
11	2	124070-91300	SWITCH				1				
12	2	128270-91350	BUZZER, ALARM				1				
13	2	128270-91360	PACKING, BUZZER				1				Z
14	2	128170-91810	SCREW M5				4				
15	2	128170-91820	WASHER 5				4				
16	2	128170-91830	PLATE NUT M5				4				

(D=EXXX)

Fig.91. SPECIAL TOOL(OPTIONAL)

Fig. 91 特殊工具(オプション)
SPECIAL TOOL (OPTIONAL)



OCF10-G50502 91. SPECIAL TOOL(OPTIONAL)

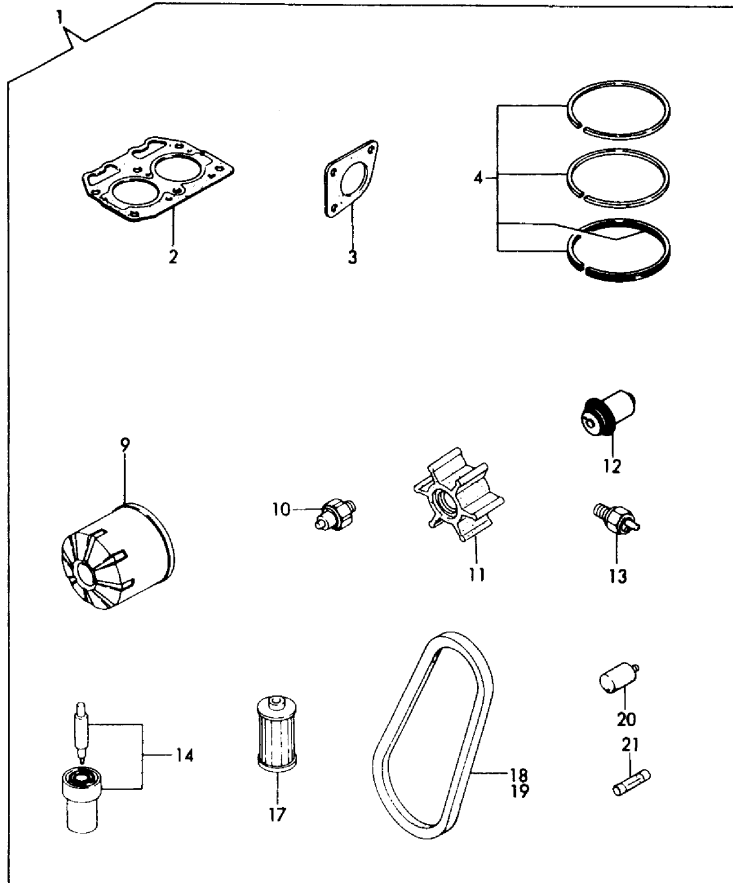
(A)=2GM20
(B)=2GM20VE
(C)=2GM20B

(D)=2GM20C
(E)=2GM20F
(F)=2GM20FVE

REF.	LEV.	PARTS NO.	DESCRIPTION	Q'TY						I	R
				(A)	(B)	(C)	(D)	(E)	(F)		
1	1	728270-92400	TOOL, ASSY, SPECIAL	1	1	1	1	1	1		
2	2	124550-35350	REMOVER	1	1	1	1	1	1		
3	2	101200-92140	TOOL, PISTON&RING	1	1	1	1	1	1		
4	2	101104-92180	PULLER, NOZZLE	1	1	1	1	1	1		
5	2	124085-92210	TOOL, VALVE	1	1	1	1	1	1		
6	2	124085-92250	REMOVER, VALVE GUIDE	1	1	1	1	1	1		
7	2	124085-92260	REMOVER, PISTON PIN	1	1	1	1	1	1		
8	2	124085-92270	REMOVER, PIN BUSH	1	1	1	1	1	1		
9	2	124085-92400	REPLACER, MAIN BERG.	1	1	1	1	1	1		
16	3	26716-160002	NUT M16	2	2	2	2	2	2		
17	2	124085-92700	WRENCH	1	1	1	1	1	1		
18	2	28110-270300	WRENCH 27X30	1	1	1	1	1	1		
19	2	28150-040000	BAR WRENCH	1	1	1	1	1	1		
20	2	28150-050000	BAR WRENCH	1	1	1	1	1	1		
21	2	28210-000031	RAPPING TOOL	1	1	1	1	1	1		
22	2	28210-000070	LAPPING POWDER	1	1	1	1	1	1		
23	2	28312-150750	THICKNESS GAUGE	1		1	1	1			
23-1	2	28312-200750	THICKNESS GAUGE	1		1	1	1			N
				(A=E12944)	(C=E00768)	(D=E01081)	(E=E12988)				

Fig.92. REPAIR PART(OPTIONAL)

Fig.92 スペアパーツ (オプション)
REPAIR SET (OPTIONAL)



OCF10-G50502 92. REPAIR PART(OPTIONAL)

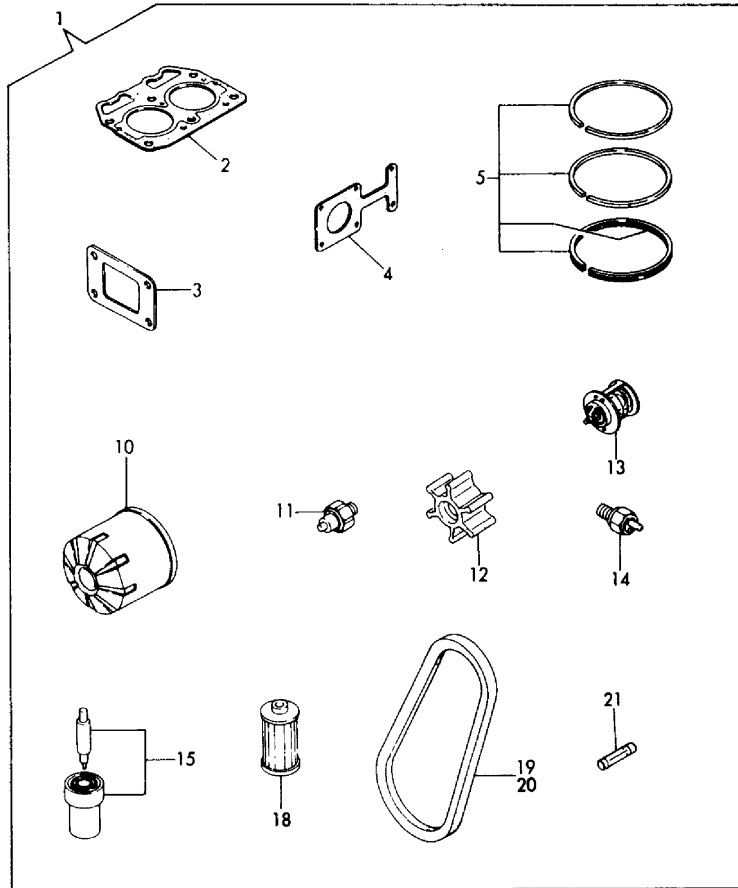
(A)=2GM20
(B)=2GM20VE
(C)=2GM20B

(D)=2GM20C
(E)=2GM20F
(F)=2GM20FVE

REF.	LEV.	PARTS NO.	DESCRIPTION	Q'TY						I	R
				(A)	(B)	(C)	(D)	(E)	(F)		
1	1	728271-92500	REPAIR SET	1	1	1	1				
2	2	128271-01330	GASKET, CYL. HEAD	1		1	1				
2-1	2	128271-01911	GASKET, CYL. HEAD	1		1	1				N
		(A=E12944)	(C=E00768)	(D=E01081)							
3	2	128170-13200	GASKET	1	1	1	1				
4	2	705311-22500	RING SET	2	2	2	2				
9	2	124450-35100	FILTER, LUB. OIL	1	1	1	1				
10	2	124060-39451	SENDER, OIL PRESSURE	1	1	1	1				
11	2	104211-42070	IMPELLER, C. WATER	1	1	1	1				
12	2	105582-49200	THERMOSTAT	1	1	1	1				
13	2	128275-91340	SWITCH, THERMO(65 C	1	1	1	1				
14	2	124770-53000	NOZZLE ASSY,F.INJECT	2	2	2	2				
17	2	104500-55710	ELEMENT, FUEL	1	1	1	1				
18	2	104511-78780	V-BELT	1	1	1	1				
19	2	128670-77350	V-BELT (A-31)	1	1	1	1				
20	2	27210-200300	ZINC, ANTI-CORROSIVE	2	2	2	2				
21	2	46150-003680	FUSE 30A	1	1	1	1				

Fig.93. REPAIR PART(OPTIONAL)

Fig. **93** スペアパーツ(オプション)
REPAIR SET (OPTIONAL)



OCF10-G50502 93. REPAIR PART(OPTIONAL)

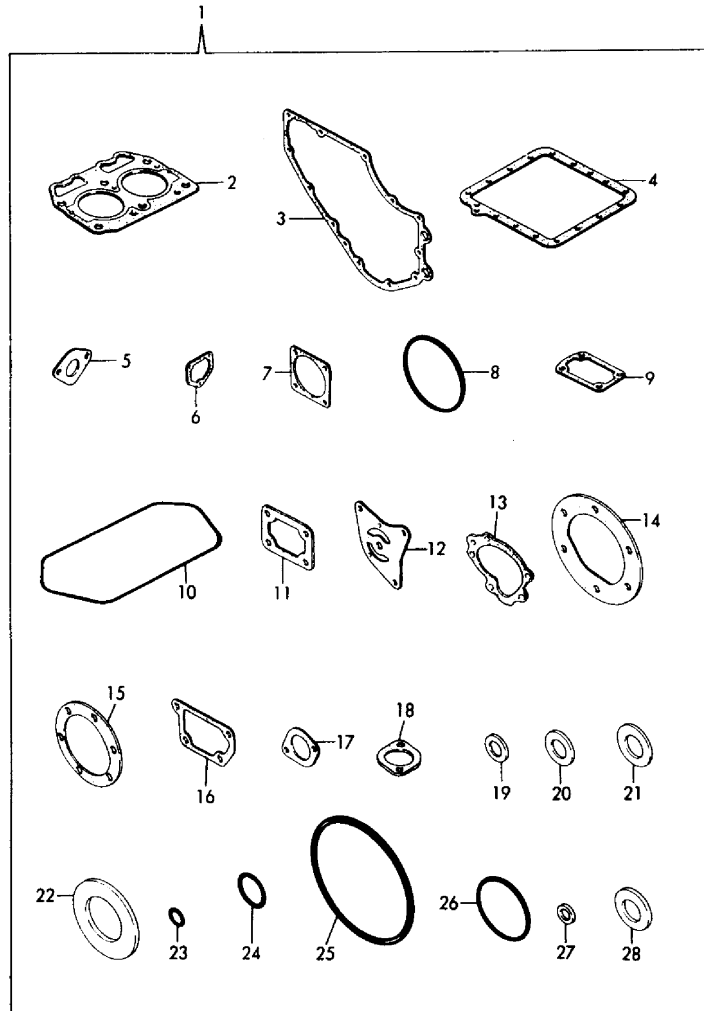
(A)=2GM20
(B)=2GM20VE
(C)=2GM20B

(D)=2GM20C
(E)=2GM20F
(F)=2GM20FVE

REF.	LEV.	PARTS NO.	DESCRIPTION	Q'TY						I	R
				(A)	(B)	(C)	(D)	(E)	(F)		
1	1	728291-92500	REPAIR SET					1	1		
2	2	128271-01330	GASKET, CYL. HEAD					1			
2-1	2	128271-01911	GASKET,CYL.HEAD					1			N
				(E=E08127)							
3	2	128370-13200	GASKET					1			
I 3-1	2	128370-13201	GASKET, (NON-ASB.)					1			N
				(E=E17941)							
4	2	128290-13250	GASKET					1			
I 4-1	2	128290-13251	GASKET, (NON-ASB.)					1			N
				(E=E17941)							
5	2	705311-22500	RING SET					2	2		
10	2	124450-35100	ELEMENT, LUB. OIL					1			
I 10-1	2	119660-35150	FILTER, LUB. OIL					1			N
				(E=E17887)							
11	2	124060-39451	SENDER, OIL PRESSURE					1	1		
12	2	124223-42091	IMPELLER, C. WATER					1	1		
13	2	121750-49800	THERMOSTAT					1	1		
14	2	127610-91350	SWITCH, THERMO					1	1		
15	2	124770-53000	NOZZLE ASSY,F.INJECT					2	2		
18	2	104500-55710	ELEMENT, FUEL					1	1		
19	2	104511-78780	V-BELT					1	1		
20	2	124732-42290	V-BELT (A-37)					1	1		
21	2	46150-003680	FUSE 30A					1	1		

Fig.94. GASKET SET(OPTIONAL)

Fig.94 パッキンセット(オプション)
GASKET SET (OPTIONAL)



OCF10-G50502 94. GASKET SET(OPTIONAL)

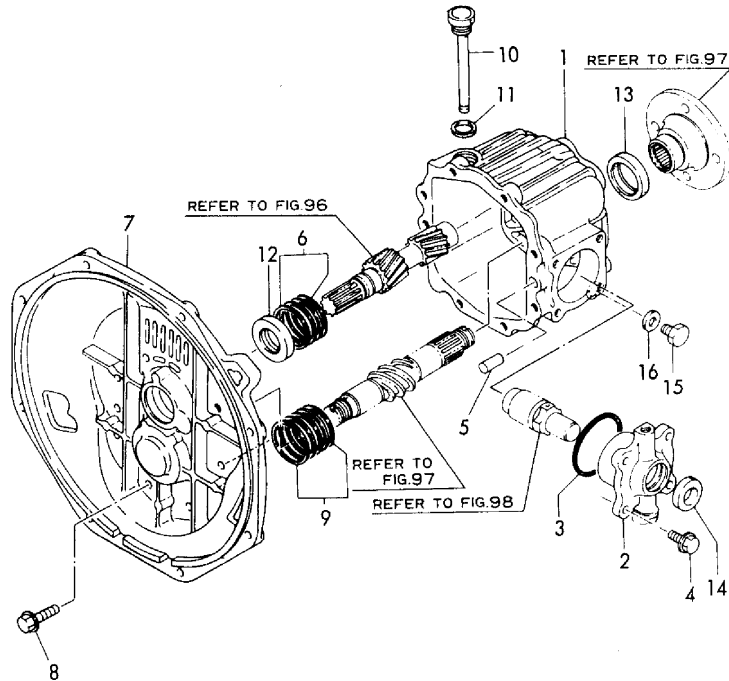
(A)=2GM20
(B)=2GM20VE
(C)=2GM20B

(D)=2GM20C
(E)=2GM20F
(F)=2GM20FVE

REF.	LEV.	PARTS NO.	DESCRIPTION	QTY						I	R
				(A)	(B)	(C)	(D)	(E)	(F)		
1	1	728271-92600	GASKET SET	1	1	1	1	1	1		
2	2	128271-01330	GASKET, CYL. HEAD	1		1	1	1			
2-1	2	128271-01911	GASKET, CYL.HEAD	1		1	1	1			N
		(A=E12944)	(C=E00768)	(D=E01081)	(E=E12988)						
3	2	121575-01510	GASKET, GEAR HOUSING	1	1	1	1	1	1		
4	2	124000-01750	GASKET, OIL SUMP	1	1	1	1	1	1		
5	2	121520-01850	GASKET, F.FEED PUMP	1	1	1	1	1	1		
6	2	121575-01860	GASKET, COVER	1	1	1	1	1	1		
7	2	124240-01882	GASKET, HYD.OIL PUMP	1	1	1	1	1	1		
8	2	105225-02040	GASKET	1		1	1	1			
8-1	2	105225-02020	O-RING	1		1	1	1			R
		(A=E12944)	(C=E00768)	(D=E01081)	(E=E12988)						
9	2	121000-03070	GASKET	1	1	1	1	1	1		
10	2	128270-11310	GASKET, BONNET	1	1	1	1	1	1		
11	2	121450-11680	GASKET, COVER	1	1	1	1	1	1		
12	2	121450-32021	GASKET, L.O.PUMP	1	1	1	1	1	1		
13	2	121000-42051	GASKET, C.W.PUMP	1	1	1	1	1	1		
14	2	104211-42090	GASKET	1	1	1	1	1	1		
15	2	124223-42110	GASKET	1	1	1	1	1	1		
16	2	121450-44410	GASKET, BRACKET	1	1	1	1	1	1		
17	2	104211-49160	PACKING	1	1	1	1	1	1		
18	2	129350-49540	GASKET, THERMO.COVER	1		1	1	1			
18-1	2	124736-49540	GASKET	1		1	1	1			R
		(A=E12944)	(C=E00768)	(D=E01081)	(E=E12988)						
19	2	23414-080000	GASKET 8, ROUND	20	20	20	20	20	20		
20	2	23414-100000	GASKET 10, ROUND	5	5	5	5	5	5		
21	2	23414-120000	GASKET 12, ROUND	20	20	20	20	20	20		
22	2	23414-250000	PACKING 25, ROUND	5	5	5	5	5	5		
23	2	24311-000100	O-RING 1A P-10.0	2	2	2	2	2	2		
24	2	24311-000160	O-RING 1A P-16.0	1	1	1	1	1	1		
25	2	24311-000700	O-RING 1A P-70.0	2	2	2	2	2	2		
26	2	24321-000350	O-RING 1A G-35.0	1	1	1	1	1	1		
27	2	43400-500390	SEAL WASHER 6S	2	2	2	2	2	2		
28	2	43400-500450	SEAL WASHER 12S	2	2	2	2	2	2		

Fig.95. CLUTCH HOUSING

Fig. **95** クラッチケース
CLUTCH HOUSING



OCF10-G50502 95. CLUTCH HOUSING

(A)=KM2C

(B)=

(C)=

(D)=

(E)=

(F)=

REF.	LEV.	PARTS NO.	DESCRIPTION	QTY						I	R
				(A)	(B)	(C)	(D)	(E)	(F)		
1	1	177088-02011	HOUSING, CLUTCH	1							
2	1	177088-02091	COVER, SIDE	1							
3	1	24341-000600	O-RING 1A S-60.0	1							
4	1	26016-080202	BOLT M 8X 20	4							
5	1	22312-100160	PARALLEL PIN 10X16	2							
6	1	177088-02350	SHIM SET	1							
7	1	177088-02033	FLANGE	1							
8	1	26016-080252	BOLT M 8X 25	8							
9	1	177090-02250	SHIM SET	1							
10	1	177088-02450	DIPSTICK	1							
11	1	23414-160021	GASKET 16	1							
12	1	177088-02950	SEAL SC25 40 8, OIL	1							
13	1	177088-02961	SEAL MHA34 44 8,OIL	1							
14	1	177088-02970	SEAL, OIL	1							
15	1	23883-100002	PLUG 10	1							
16	1	23414-100000	GASKET 10, ROUND	1							

Fig.96. INPUT SHAFT & SUPPORT SHAFT

(A)=KM2C

(B)=

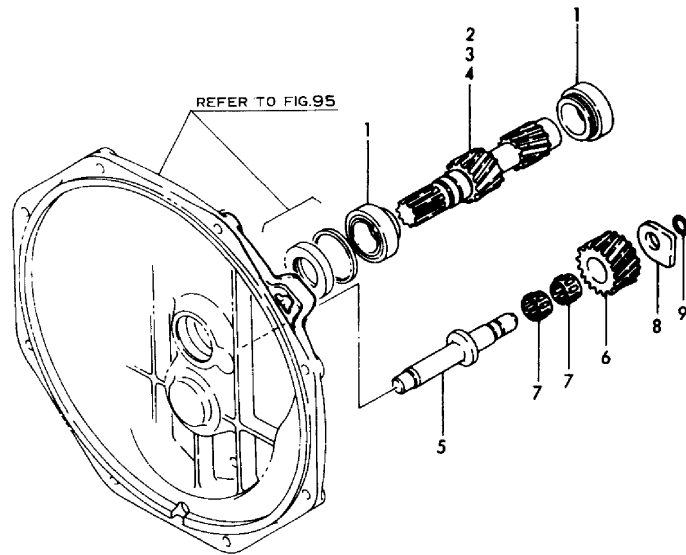
(C)=

(D)=

(E)=

(F)=

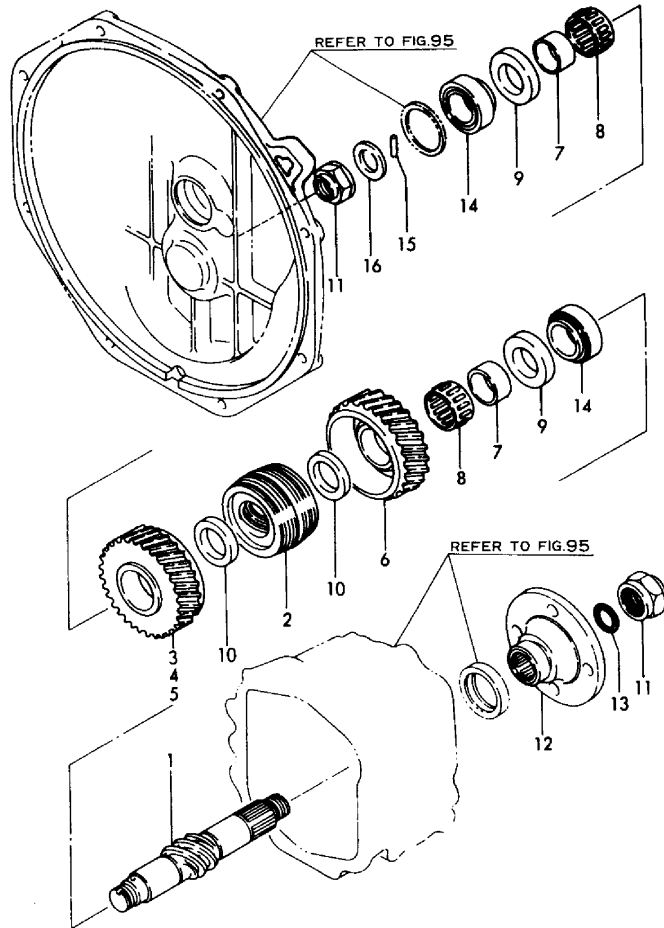
Fig.96 インプットシャフト&サポートシャフト
INPUT SHAFT & SUPPORT SHAFT



REF.	LEV.	PARTS NO.	DESCRIPTION	Q'TY						I	R
				(A)	(B)	(C)	(D)	(E)	(F)		
1	1	177088-03400	ROLLER BERING	2							
2	1	177088-03030	SHAFT, INPUT	1							
3	1	177088-03011	SHAFT, INPUT	1							
4	1	177088-03020	SHAFT, INPUT	1							
5	1	177088-03301	SHAFT, REVERSE IDLE	1							
6	1	177088-03311	GEAR (Z=26), IDLE	1							
7	1	177088-03331	NEEDLE BERG.#K162213	2							
8	1	177088-03341	WASHER, THRUST	1							
9	1	24341-000120	O-RING 1A S-12.0	1							

Fig.97. OUTPUT SHAFT

Fig.97 アウトプットシャフト
OUTPUT SHAFT



OCF10-G50502 97. OUTPUT SHAFT

(A)=KM2C

(B)=

(C)=

(D)=

(E)=

(F)=

REF.	LEV.	PARTS NO.	DESCRIPTION	QTY						I	R
				(A)	(B)	(C)	(D)	(E)	(F)		
1	1	177088-03091	SHAFT, OUTPUT	1							
2	1	177088-03071	CONE, DRIVE	1							
3	1	177088-03130	GEAR (Z=53)	1							
4	1	177088-03110	GEAR (Z=55)	1							
5	1	177088-03120	GEAR (Z=58)	1							
6	1	177088-03110	GEAR (Z=55)	1							
7	1	177088-03192	RACE, INNER	2							
8	1	177088-03201	NEEDLE BERG.#K303517	2							
9	1	177088-03232	COLLAR (A), THRUST	2							
10	1	177088-03252	COLLAR (B), THRUST	2							
11	1	177088-03272	NUT	2							
12	1	177088-03552	COUPLING, OUTPUT	1							
13	1	24311-000180	O-RING 1A P-18.0	1							
14	1	177088-03520	R.BEARING07087/07204	2							
15	1	177088-03290	PIN 4D-22L	1							
16	1	177088-03280	COLLAR 32D-45T	1							

Fig.98. REMOTE CONTROL DEVICE

(A)=KM2C

(B)=

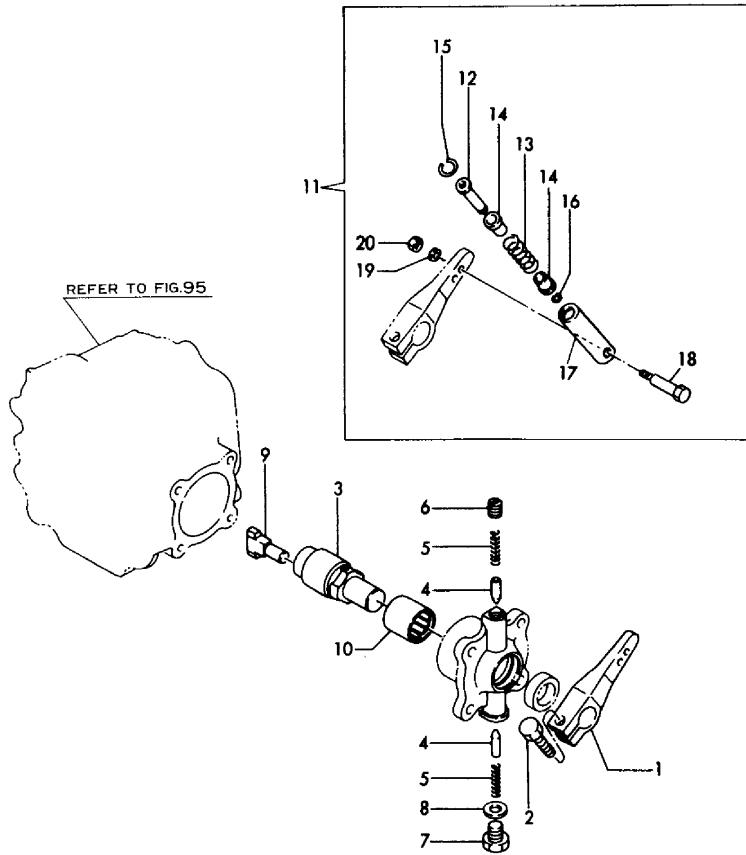
(C)=

(D)=

(E)=

(F)=

Fig.98 操纵装置
REMOTE CONTROL DEVICE



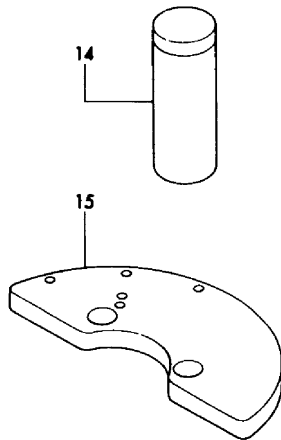
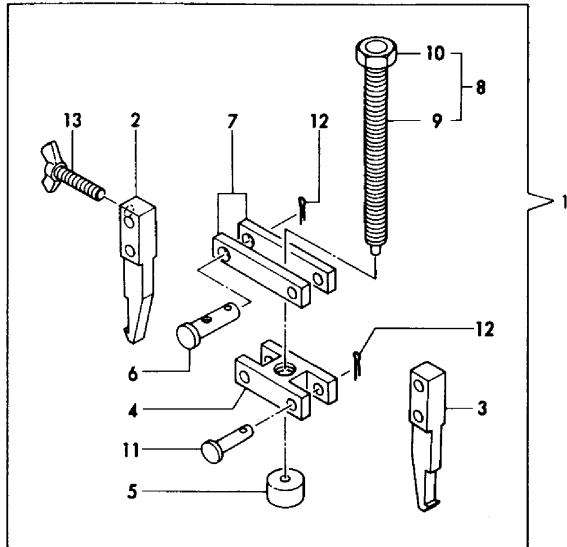
REF.	LEV.	PARTS NO.	DESCRIPTION	QTY						I	R
				(A)	(B)	(C)	(D)	(E)	(F)		
1	1	177095-06040	LEVER	1							
2	1	26106-080252	BOLT M 8X 25 PLATED	1							
3	1	177088-06010	SHAFT	1							
4	1	177095-03190	PIN	2							
5	1	177088-06020	SPRING	2							
6	1	26911-100102	SCREW M10X10	1							
7	1	23883-100002	PLUG 10	1							
8	1	23414-100000	GASKET 10, ROUND	1							
9	1	177088-06050	SHIFTER	1							
10	1	177088-06070	NEEDLE BERG. #HK3026	1							
11	1	177088-06090	CONNECTOR ASSY	1							
12	2	177088-06120	CONNECTOR	1							
13	2	177088-06170	SPRING, SHIFT	1							
14	2	177088-06140	RETAINER, SPRING	2							
15	2	177088-06150	CIRCLIP	1							
16	2	177088-06160	CIRCLIP	1							
17	2	177088-06110	HOLDER	1							
18	2	177088-06100	CONNECTOR, HOLDER	1							
19	2	22117-060000	WASHER 6	1							
20	2	26716-060002	NUT M 6	1							

Fig.99. TOOL(OPTIONAL)

(A)=KM2C
(B)=
(C)=

(D)=
(E)=
(F)=

Fig.99 工具(オプション)
TOOL (OPTIONAL)



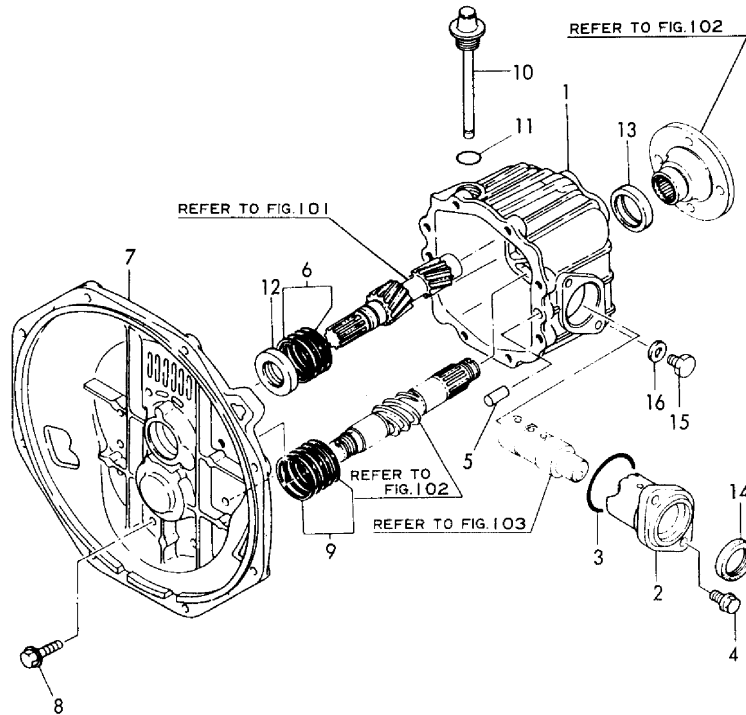
REF.	LEV.	PARTS NO.	DESCRIPTION	QTY						I	R
				(A)	(B)	(C)	(D)	(E)	(F)		
1	1	177088-09010	TOOLS ASSY	1							
2	2	177088-09020	TOOL A	1							
3	2	177088-09030	TOOL B	1							
4	2	177088-09040	BRACKET	1							
5	2	177088-09050	RETAINER	1							
6	2	177088-09060	PIN	1							
7	2	177088-09070	PLATE	2							
8	2	177088-09080	BOLT ASSY	1							
9	3	177088-09090	BOLT	1							
10	3	26736-100002	NUT M10	1							
11	2	22487-060240	PIN 6X 24	3							
12	2	22414-160120	COTTER PIN 1.6X12	4							
13	2	26646-040352	WING BOLT	1							
14	1	177088-09150	TOOL, DRIVE	1							
15	1	177088-09160	SENDER	1							

Fig.100. CLUTCH HOUSING

(A)=KM2P
(B)=
(C)=

(D)=
(E)=
(F)=

Fig. 100 クラッチケース
CLUTCH HOUSING



REF.	LEV.	PARTS NO.	DESCRIPTION	QTY						I	R
				(A)	(B)	(C)	(D)	(E)	(F)		
1	1	177088-02012	HOUSING, CLUTCH	1							
2	1	177088-02120	COVER, SIDE	1							
3	1	24321-000400	O-RING 1A G-40.0	1							
4	1	26013-080252	BOLT M 8X 25	2							
5	1	22312-100160	PARALLEL PIN 10X16	2							
6	1	177088-02350	SHIM SET	1							
7	1	177088-02033	FLANGE	1							
8	1	26016-080252	BOLT M 8X 25	8							
9	1	177088-02300	SHIM SET	1							
10	1	177088-02451	DIPSTICK, LUB. OIL	1							
11	1	24311-000180	O-RING 1A P-18.0	1							
12	1	177088-02950	SEAL SC25 40 8, OIL	1							
13	1	177088-02961	SEAL MHA34 44 8,OIL	1							
14	1	24421-284008	SEAL TC28 40 08, OIL	1							
15	1	23887-100002	PLUG 10	1							
16	1	23414-100000	GASKET 10, ROUND	1							

Fig.101. INPUT SHAFT & SUPPORT SHAFT

(A)=KM2P

(B)=

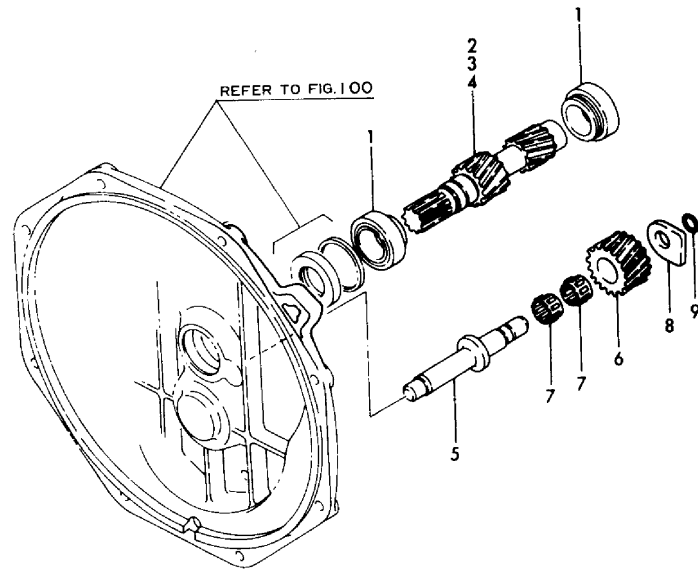
(C)=

(D)=

(E)=

(F)=

Fig. **101** インพุットシャフト&サポートシャフト
INPUT SHAFT & SUPPORT SHAFT



REF.	LEV.	PARTS NO.	DESCRIPTION	Q'TY						I	R
				(A)	(B)	(C)	(D)	(E)	(F)		
1	1	177088-03400	ROLLER BERING	2							
2	1	177088-03031	SHAFT,INPUT l=2.21	1							
3	1	177088-03012	SHAFT,INPUT l=2.62	1							
4	1	177088-03021	SHAFT,INPUT l=3.22	1							
5	1	177088-03302	SHAFT,IDLE GEAR	1							
6	1	177088-03311	GEAR (Z=26), IDLE	1							
7	1	177088-03331	NEEDLE BERG.#K162213	2							
8	1	177088-03341	WASHER, THRUST	1							
9	1	24341-000120	O-RING 1A S-12.0	1							

Fig.102. OUTPUT SHAFT

(A)=KM2P

(B)=

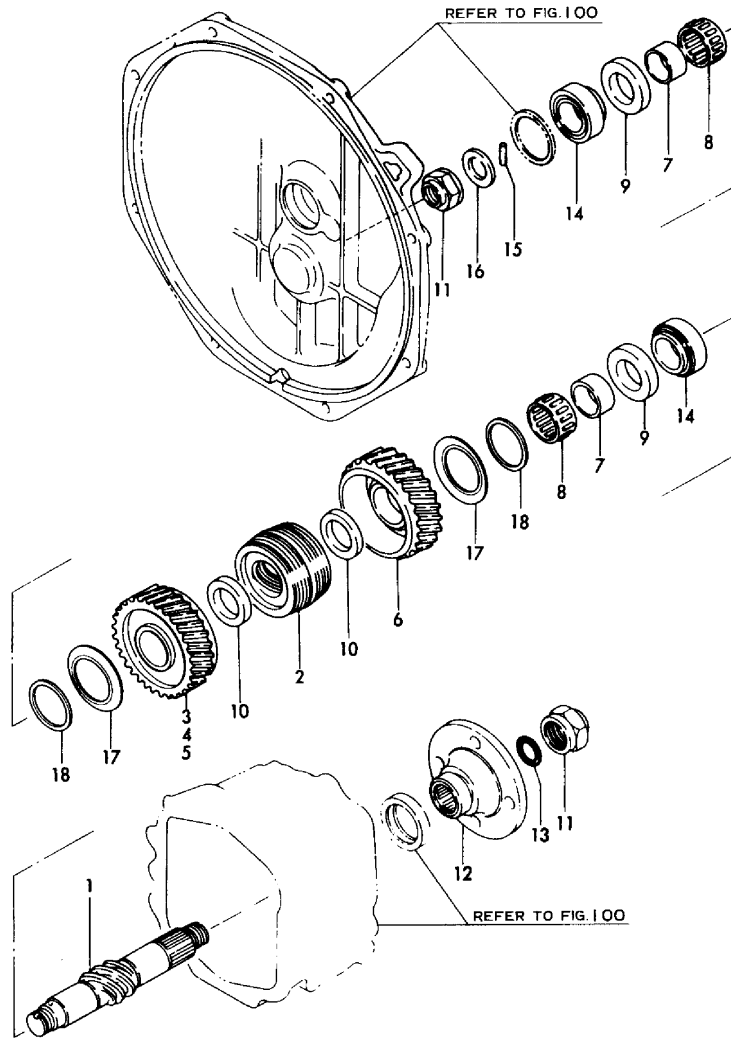
(C)=

(D)=

(E)=

(F)=

Fig. **102** アウトプットシャフト
OUTPUT SHAFT



REF.	LEV.	PARTS NO.	DESCRIPTION	QTY						I	R
				(A)	(B)	(C)	(D)	(E)	(F)		
1	1	177088-03092	SHAFT,OUTPUT	1							
2	1	177088-03072	CONE,DRIVE	1							
3	1	177088-03131	GEAR,FORWARD Z53	1							
4	1	177088-03111	GEAR,FORWARD Z55	1							
5	1	177088-03121	GEAR,FORWARD Z58	1							
6	1	177088-03111	GEAR,FORWARD Z55	1							
7	1	177088-03192	RACE, INNER	2							
8	1	177088-03201	NEEDLE BERG.#K303517	2							
9	1	177088-03233	COLLAR(A),THRUST	2							
10	1	177088-03252	COLLAR (B), THRUST	2							
11	1	177088-03272	NUT	2							
12	1	177088-03552	COUPLING, OUTPUT	1							
13	1	24311-000180	O-RING 1A P-18.0	1							
14	1	177088-03520	R.BEARING07087/07204	2							
15	1	177088-03290	PIN 4D-22L	1							
16	1	177088-03280	COLLAR 32D-45T	1							
17	1	177088-03540	SPRING	2							
18	1	177073-03340	RETAINER	2							

Fig.103. REMOTE CONTROL DEVICE

(A)=KM2P

(B)=

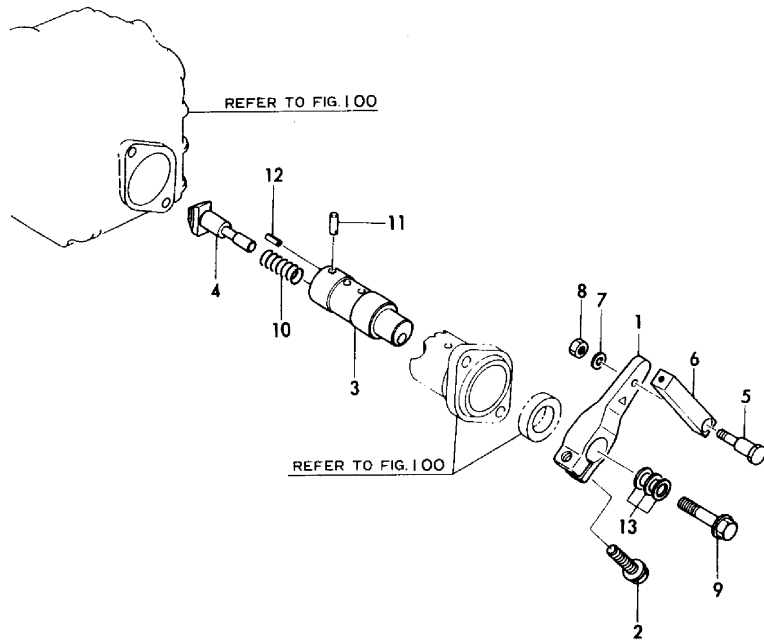
(C)=

(D)=

(E)=

(F)=

Fig. 103 操縦装置
REMOTE CONTROL DEVICE



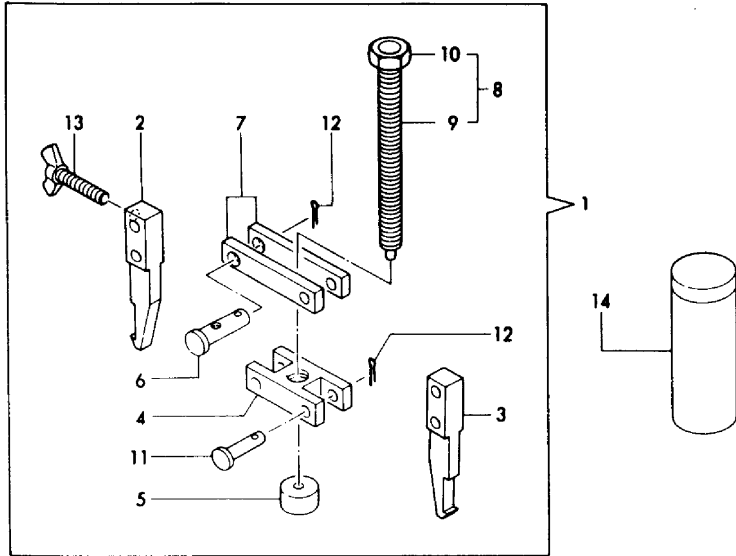
REF.	LEV.	PARTS NO.	DESCRIPTION	QTY						I	R
				(A)	(B)	(C)	(D)	(E)	(F)		
1	1	177088-06400	LEVER	1							
2	1	26106-080252	BOLT M 8X 25 PLATED	1							
3	1	177088-06350	SHAFT, CONTROL	1							
4	1	177088-06390	SHIFTER	1							
5	1	177088-06101	CONNECTOR	1							
6	1	177088-06410	HOLDER	1							
7	1	22137-060000	WASHER 6, POLISHED	1							
8	1	26716-060002	NUT M 6	1							
9	1	177088-06360	BOLT	1							
10	1	177088-06370	SPRING	1							
11	1	196322-06610	PIN 5X18	1							
12	1	22351-020012	SPRING PIN 2X 12	1							
13	1	177088-06380	SHIM SET	1							

Fig.104. TOOL(OPTIONAL)

(A)=KM2P
(B)=
(C)=

(D)=
(E)=
(F)=

Fig. 104 工具(オプション)
TOOL(OPTIONAL)



REF.	LEV.	PARTS NO.	DESCRIPTION	QTY						I	R
				(A)	(B)	(C)	(D)	(E)	(F)		
1	1	177088-09010	TOOLS ASSY	1							
2	2	177088-09020	TOOL A	1							
3	2	177088-09030	TOOL B	1							
4	2	177088-09040	BRACKET	1							
5	2	177088-09050	RETAINER	1							
6	2	177088-09060	PIN	1							
7	2	177088-09070	PLATE	2							
8	2	177088-09080	BOLT ASSY	1							
9	3	177088-09090	BOLT	1							
10	3	26736-100002	NUT M10	1							
11	2	22487-060240	PIN 6X 24	3							
12	2	22414-160120	COTTER PIN 1.6X12	4							
13	2	26646-040352	WING BOLT	1							
14	1	177088-09150	TOOL, DRIVE	1							

Fig.105. CLUTCH HOUSING

(A)=KM3V

(B)=

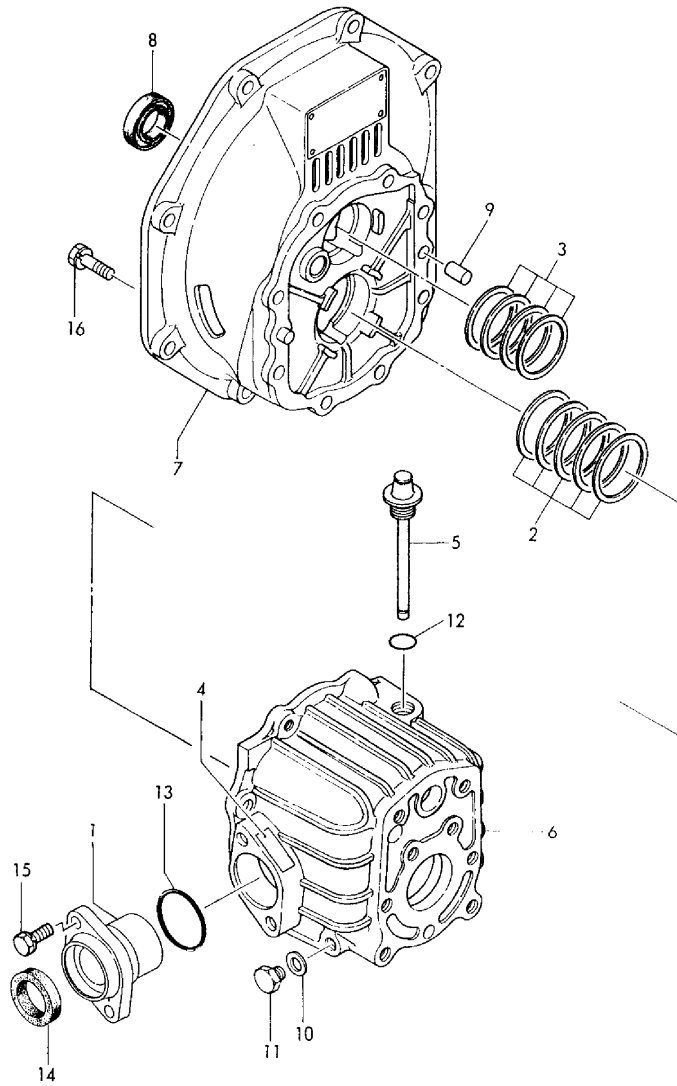
(C)=

(D)=

(E)=

(F)=

Fig. **105** クラッチケース
CLUTCH HOUSING



REF.	LEV.	PARTS NO.	DESCRIPTION	QTY						I	R
				(A)	(B)	(C)	(D)	(E)	(F)		
1	1	177088-02120	COVER, SIDE	1							
2	1	177088-02300	SHIM SET	1							
3	1	177088-02350	SHIM SET	1							
4	1	177088-02430	LABEL	1							
5	1	177088-02451	DIPSTICK, LUB. OIL	1							
6	1	177070-02511	CASE	1							
7	1	177070-02520	FLANGE	1							
8	1	177088-02950	SEAL SC25 40 8, OIL	1							
9	1	22312-100160	PARALLEL PIN 10X16	2							
10	1	23414-100000	GASKET 10, ROUND	1							
11	1	23887-100002	PLUG 10	1							
12	1	24311-000180	O-RING 1A P-18.0	1							
13	1	24321-000400	O-RING 1A G-40.0	1							
14	1	24421-284008	SEAL TC28 40 08, OIL	1							
15	1	26013-080252	BOLT M 8X 25	2							
16	1	26016-080252	BOLT M 8X 25	8							

Fig.106. V-DRIVE HOUSING

(A)=KM3V

(B)=

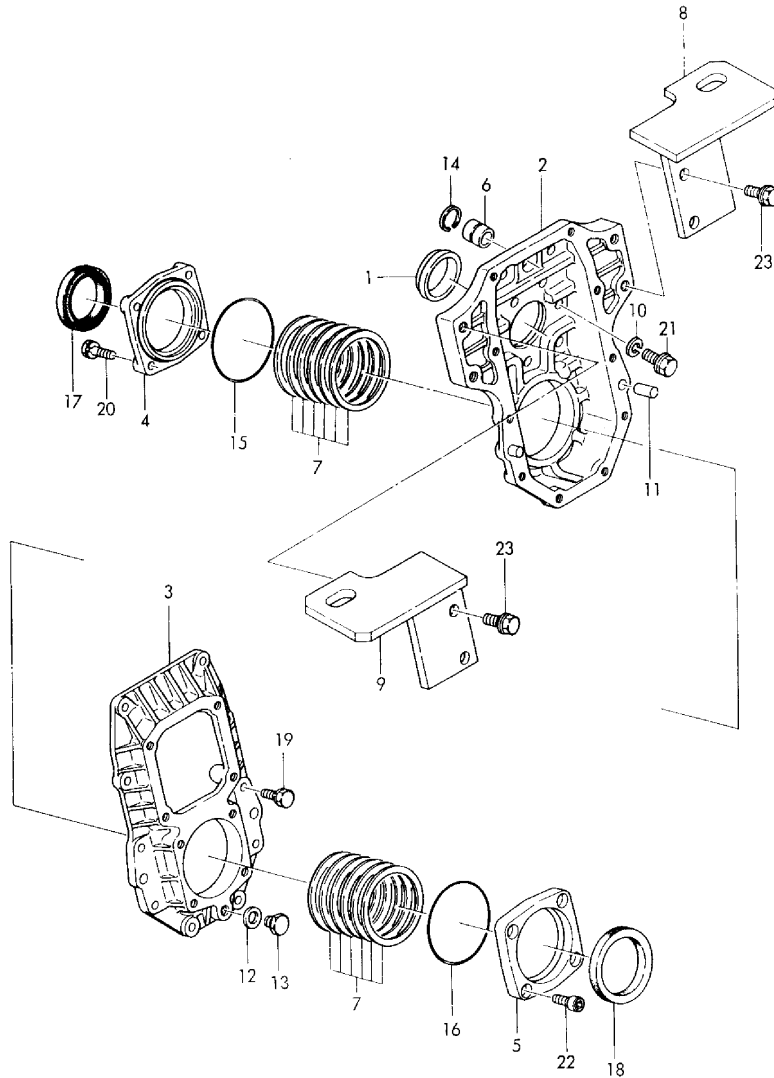
(C)=

(D)=

(E)=

(F)=

Fig. **106** Vドライブケース
V-DRIVE HOUSING



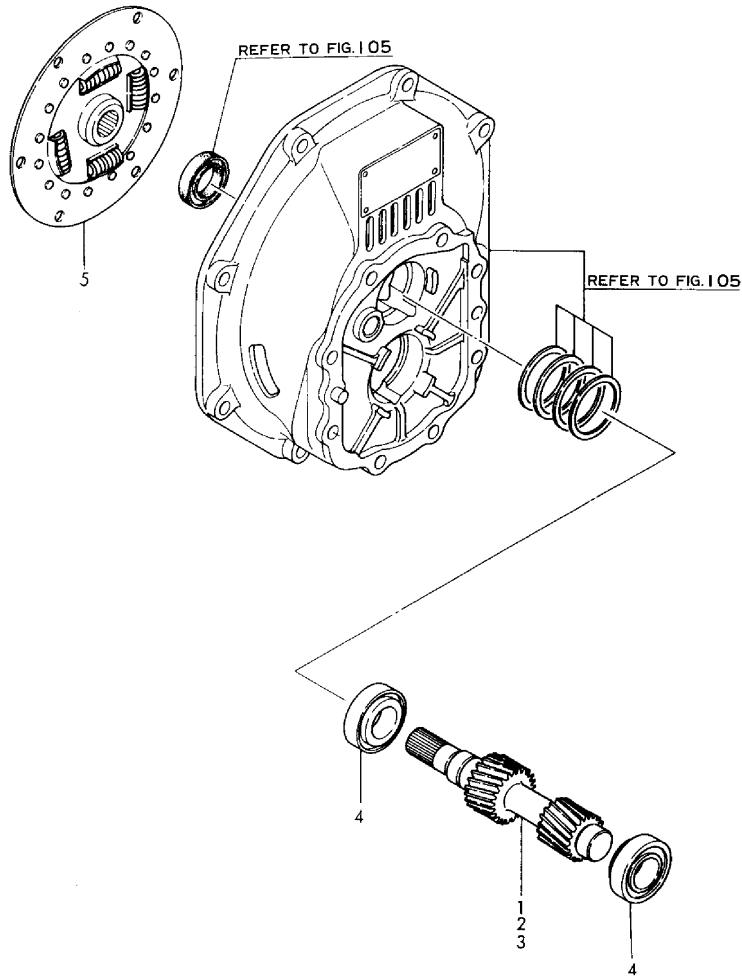
REF.	LEV.	PARTS NO.	DESCRIPTION	Q'TY						I	R
				(A)	(B)	(C)	(D)	(E)	(F)		
1	1	177070-02680	BUSH	1							
2	1	177070-02801	HOUSING(A), V-DRIVE	1							
3	1	177070-02811	HOUSING(B), V-DRIVE	1							
4	1	177070-02820	COVER(A)	1							
5	1	177070-02830	COVER(B)	1							
6	1	177070-02840	PARALLEL PIN	1							
7	1	177070-02850	SHIM SET	2							
8	1	177070-02900	BRACKET(R)	1							
9	1	177070-02910	BRACKET(L)	1							
10	1	22287-100000	WASHER 10	8							
11	1	22287-100160	PARALLEL PIN 10X16	2							
12	1	23414-100000	GASKET 10, ROUND	1							
13	1	23887-100002	PLUG 10	1							
14	1	24164-000202	CIRCLIP 20-S	1							
15	1	24341-000750	O-RING 1A S-75.0	1							
16	1	24341-000750	O-RING 1A S-75.0	1							
17	1	24421-456209	SEAL TC 456209, OIL	1							
18	1	24421-557209	SEAL TC55 72 09, OIL	1							
19	1	26016-080252	BOLT M 8X 25	10							
20	1	26016-080252	BOLT M 8X 25	4							
21	1	26106-100252	BOLT M10X 25 PLATED	8							
22	1	26450-080202	BOLT M 8X 20	4							
23	1	26106-100252	BOLT M10X 25 PLATED	4							

Fig.107. INPUT SHAFT

(A)=KM3V
(B)=
(C)=

(D)=
(E)=
(F)=

Fig. **107** インプットシャフト
INPUT SHAFT



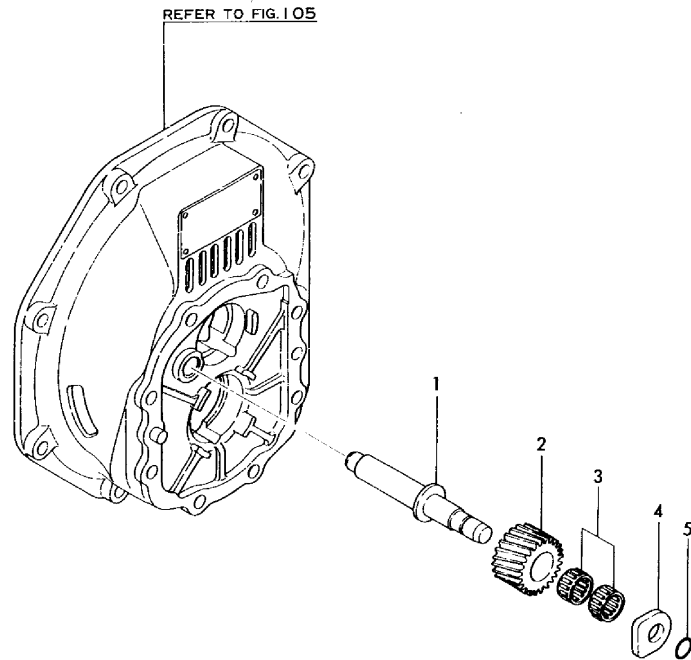
REF.	LEV.	PARTS NO.	DESCRIPTION	Q'TY						I	R
				(A)	(B)	(C)	(D)	(E)	(F)		
1	1	177070-03011	SHAFT,INPUT l=2.61	1							
2	1	177070-03021	SHAFT,INPUT l=3.20	1							
3	1	177070-03031	SHAFT,INPUT l=2.36	1							
4	1	177088-03400	ROLLER BERING	2							
5	1	177070-03500	DISK, DAMPER	1							

Fig.108. SUPPORT SHAFT

(A)=KM3V
(B)=
(C)=

(D)=
(E)=
(F)=

Fig. **108** サポートシャフト
SUPPORT SHAFT



REF.	LEV.	PARTS NO.	DESCRIPTION	QTY						I	R
				(A)	(B)	(C)	(D)	(E)	(F)		
1	1	177070-03302	SHAFT, IDLE GEAR	1							
2	1	177088-03311	GEAR (Z=26), IDLE	1							
3	1	177088-03331	NEEDLE BERG.#K162213	2							
4	1	177088-03341	WASHER, THRUST	1							
5	1	24341-000120	O-RING 1A S-12.0	1							

Fig.109. OUTPUT SHAFT

(A)=KM3V

(B)=

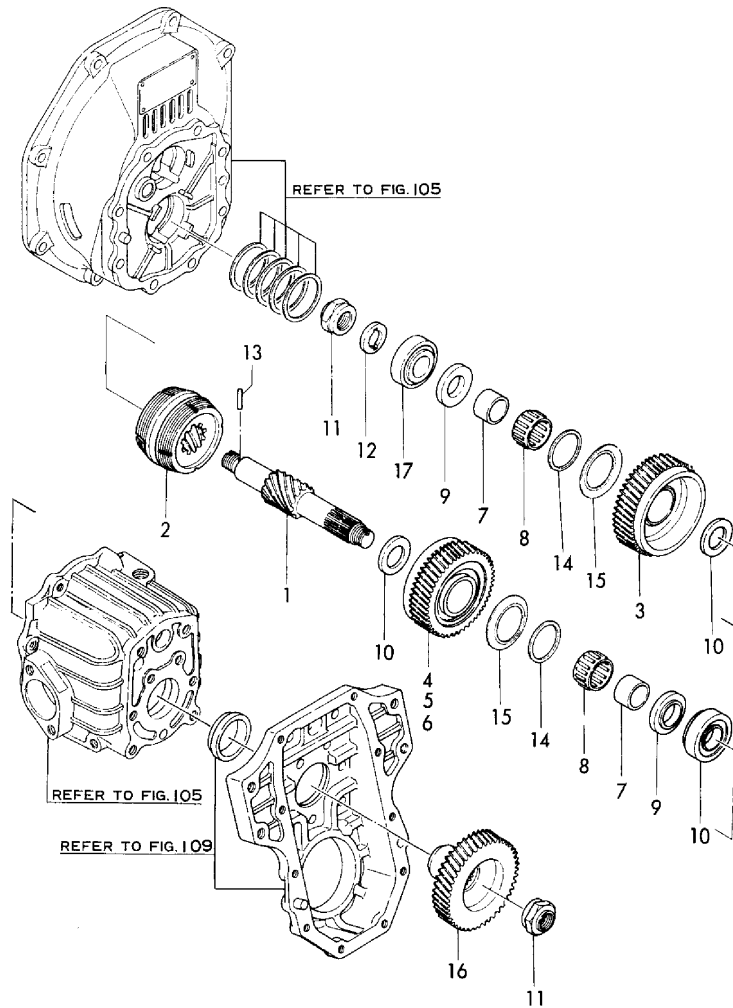
(C)=

(D)=

(E)=

(F)=

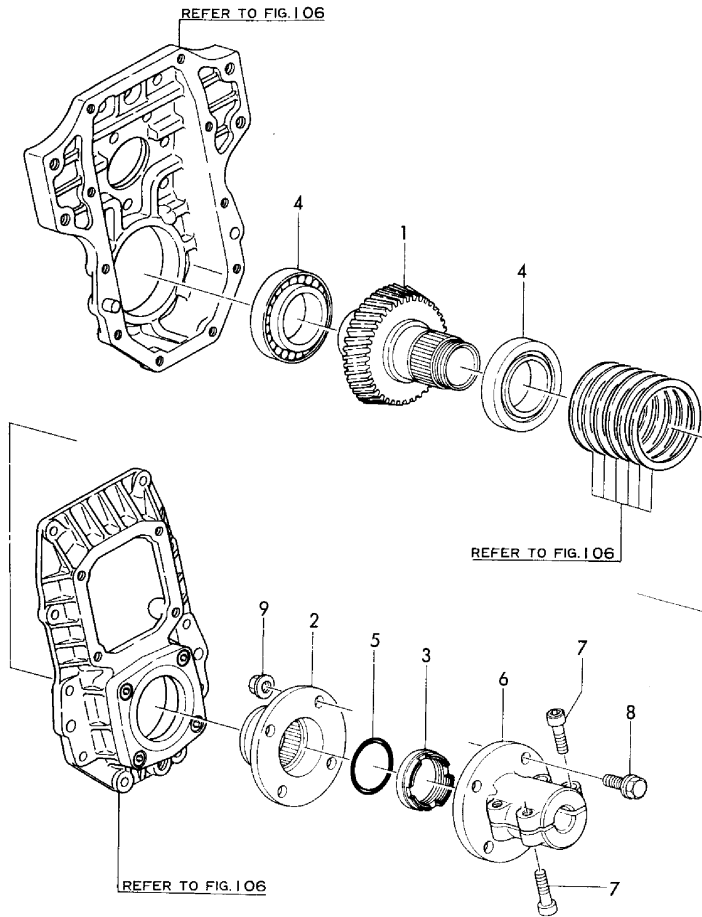
Fig. 109 アウトプットシャフト
OUTPUT SHAFT



REF.	LEV.	PARTS NO.	DESCRIPTION	QTY						I	R
				(A)	(B)	(C)	(D)	(E)	(F)		
1	1	177070-03041	SHAFT,OUTPUT	1							
2	1	177070-03071	CONE,DRIVE	1							
3	1	177070-03112	GEAR,FORWARD 60	1							
4	1	177070-03112	GEAR,FORWARD 60	1							
5	1	177070-03122	GEAR,FORWARD 64	1							
6	1	177070-03131	GEAR,FORWARD 59	1							
7	1	177070-03190	RACE, BEARING INNER	2							
8	1	177070-03200	NEEDLE BEARING	2							
9	1	177070-03231	COLLAR (A), THRUST	2							
10	1	177070-03250	COLLAR (B), THRUST	2							
11	1	177088-03272	NUT	2							
12	1	177088-03280	COLLAR 32D-45T	1							
13	1	177088-03290	PIN 4D-22L	1							
14	1	177073-03340	RETAINER	2							
15	1	177088-03540	SPRING	2							
16	1	177070-03600	GEAR Z46	1							
17	1	24141-302050	ROLLER BEARING	2							

Fig.110. V-DRIVE SHAFT

Fig. **110** Vドライブシャフト
V-DRIVE SHAFT



OCF10-G50502 110. V-DRIVE SHAFT

(A)=KM3V

(B)=

(C)=

(D)=

(E)=

(F)=

REF.	LEV.	PARTS NO.	DESCRIPTION	Q'TY						I	R	
				(A)	(B)	(C)	(D)	(E)	(F)			
1	1	177070-03610	V-DRIVE SHAFT Z46	1								
2	1	177070-03620	COUPLING	1								
3	1	177070-03630	LOCK NUT	1								
4	1	24141-320090	BEARING	2								
5	1	24321-000400	PACKING G 40	1								
6	1	104214-83980	COUPLING (20), SLIT	1								1
7	1	26206-100302	BOLT M10X30	4								1
8	1	26450-080302	BOLT M 8X 30	4								1
9	1	26706-100002	NUT M10	4								1

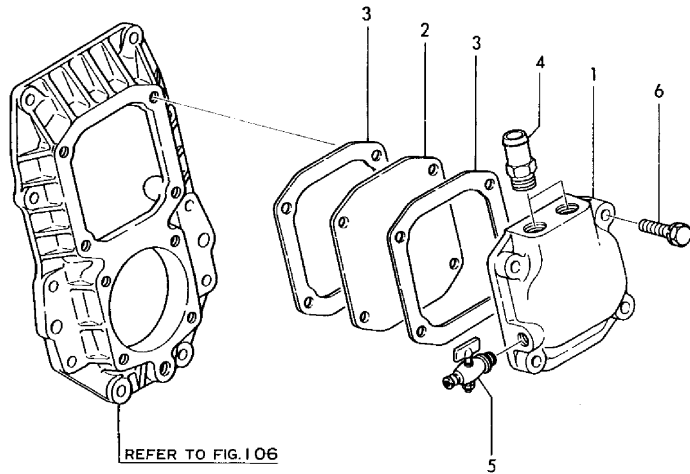
Remarks

1) OPTIONL PARTS

N:Old $\xleftrightarrow{\text{Yes/No}}$ New, Q:Old $\xleftrightarrow{\text{No/Yes}}$ New, R:Old $\xleftrightarrow{\text{Yes/No}}$ New, S:Old $\xleftrightarrow{\text{No/Yes}}$ New, W:Add, Z:Discontinued, F:Interchangeable by set, K:Q'ty Change

Fig.111. LUB. OIL COOLER

Fig. 111 潤滑油クーラ
LUB.OIL COOLER



REFER TO FIG.106

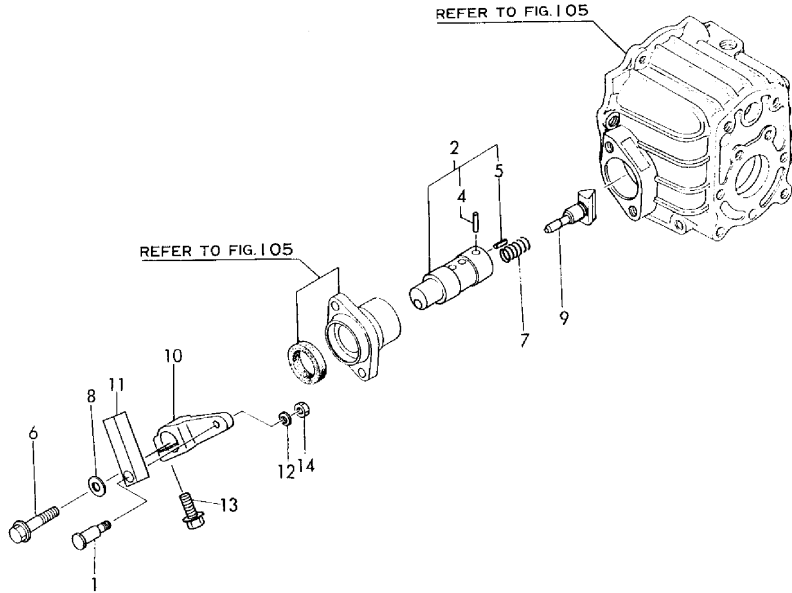
(A)=KM3V
(B)=
(C)=

(D)=
(E)=
(F)=

REF.	LEV.	PARTS NO.	DESCRIPTION	Q'TY						I	R
				(A)	(B)	(C)	(D)	(E)	(F)		
1	1	177070-04250	BODY, COOLER	1							
2	1	177070-04260	PLETE, COOLER	1							
3	1	177070-04270	GASKET	2							
4	1	177070-04280	JOINT	2							
5	1	128695-44090	COCK PT1/8	1							
6	1	26016-080352	BOLT M 8X 35	4							

Fig.112. REMOTE CONTROL DEVICE

Fig. **112** 操縦装置
REMOTE CONTROL DEVICE



(A)=KM3V
(B)=
(C)=

(D)=
(E)=
(F)=

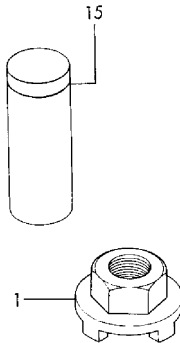
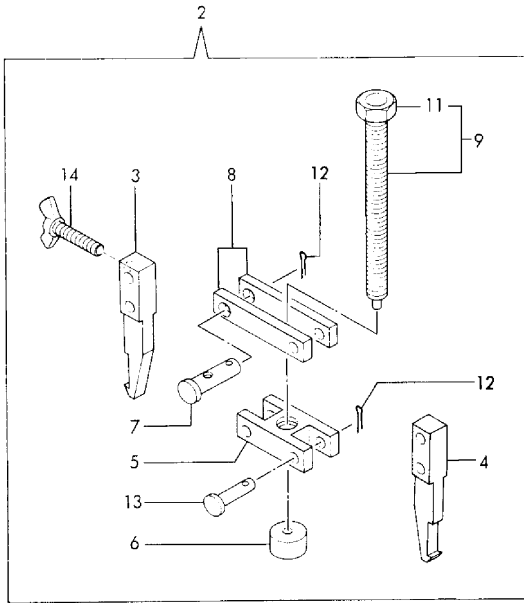
REF.	LEV.	PARTS NO.	DESCRIPTION	QTY						I	R
				(A)	(B)	(C)	(D)	(E)	(F)		
1	1	177088-06101	CONNECTOR	1							
2	1	177088-06340	SHAFT ASSY	1							
4	2	196322-06610	PIN 5X18	1							
5	2	22351-020012	SPRING PIN 2X 12	1							
6	1	177088-06360	BOLT	1							
7	1	177088-06370	SPRING	1							
8	1	177088-06380	SHIM SET	1							
9	1	177088-06390	SHIFTER	1							
10	1	177088-06400	LEVER	1							
11	1	177088-06410	HOLDER	1							
12	1	22137-060000	WASHER 6, POLISHED	1							
13	1	26106-080252	BOLT M 8X 25 PLATED	1							
14	1	26716-060002	NUT M 6	1							

Fig.113. TOOL(OPTIONAL)

(A)=KM3V
(B)=
(C)=

(D)=
(E)=
(F)=

Fig. 113 工具(オプション)
TOOL (OPTIONAL)

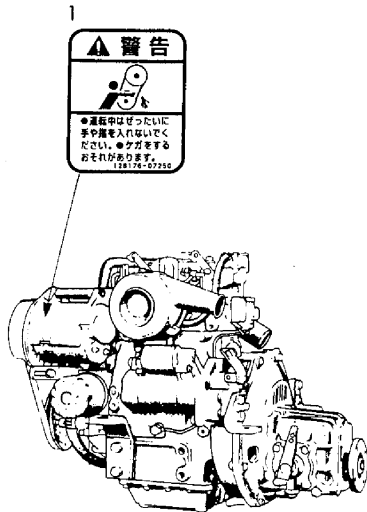


REF.	LEV.	PARTS NO.	DESCRIPTION	QTY						I	R
				(A)	(B)	(C)	(D)	(E)	(F)		
1	1	177070-09010	TOOL	1							
2	1	177088-09010	TOOLS ASSY	1							
3	2	177088-09020	TOOL A	1							
4	2	177088-09030	TOOL B	1							
5	2	177088-09040	BRACKET	1							
6	2	177088-09050	RETAINER	1							
7	2	177088-09060	PIN	1							
8	2	177088-09070	PLATE	1							
9	2	177088-09080	BOLT ASSY	1							
11	3	26736-100002	NUT M10	1							
12	2	22414-160120	COTTER PIN 1.6X12	4							
13	2	22487-060240	PIN 6X 24	3							
14	2	26646-040352	WING BOLT	1							
15	1	177088-09150	TOOL, DRIVE	1							

Fig.114. SAFETY LABEL

発行No.000Y00F5052-1
 更新年月：1995.08
 REVISED：Sep.,1995

Fig.114 安全銘板
 SAFETY LABEL



警告表示(ラベル)の部品コード番号

1	部品番号	128176-07250
---	------	--------------

安全銘板の貼付け位置は、取扱説明書をご参照下さい。

今回この項目を追加しました。
 THIS FIGURE IS NEWLY ADDED.

(A)=2GM20
 (B)=2GM20VE
 (C)=2GM20B

(D)=2GM20C
 (E)=2GM20F
 (F)=2GM20FVE

REF.	LEV.	PARTS NO.	DESCRIPTION	Q'TY						I	R
				(A)	(B)	(C)	(D)	(E)	(F)		
1	1	128176-07250	LABEL, CAUTION	1	1	1					

Part Number Index

All parts are stipulated in the order of part numbers.

(Depending on the area in which the part is used.)

This index will display the location of the part according to each part number.

PARTS No. INDEX

PARTS No.	Fig.	Ref.No.
101104-92180	91	4
101147-11900	17	48
	18	46
101147-59810	53	5
101158-11190	17	9
	18	9
101158-11230	17	39
	18	37
101200-92140	91	3
101720-55750	47	7
	48	7
102210-07990	10	3
103288-39170	32	3
	53	3
103338-11430	17	44
	18	42
103854-51251	44	23
103854-51660	44	31
103854-53100	46	6
103854-53180	46	11
103854-59191	51	11
	52	11
103854-59201	51	12
	52	12
104200-11180	17	18
	18	18
104200-14200	23	5
	24	5
104200-61200	54	4
104200-92350	72	7
104211-03770	58	3
104211-11370	17	11
	18	11
104211-42050	33	3
104211-42070	33	5
	92	11
104211-42080	33	6
104211-42090	33	7
	94	14
104211-42100	33	8
104211-42110	33	9
104211-42120	33	10
104211-42130	33	11
	54	1
104211-49080	38	2
104211-49160	41	7
	94	17
104211-53120	46	8
104214-13580	75	6
	76	5

PARTS No.	Fig.	Ref.No.
104214-83980	85	1
	110	6
104264-59020	51	4
	52	4
104264-59030	45	3
104264-59040	51	5
	52	5
104271-67550	81	1
104271-91351	87	16
104271-91352	88	12
104500-55710	47	3
	48	3
	92	17
	93	18
104511-78780	33	22
	34	22
	92	18
	93	19
104884-59170	51	20
105225-02020	8	5 -1
	94	8 -1
105225-02040	8	5
	94	8
105225-02300	8	14
105225-11100	17	6
	18	6
105225-11110	17	7
	18	7
105225-11350	17	12
	18	12
105225-22300	26	8
105225-22400	26	9
105225-23180	27	9
105225-23200	27	4
105311-01090	1	4
	2	4
105311-11420	17	42
	18	40
105311-22090	26	1
105311-23380	27	7
105311-59500	53	1
105311-67100	60	1
105311-67200	59	3
	60	3
105500-51300	44	7 -1
105582-07061	10	2
105582-49200	41	1
	92	12
105582-59150	45	4
	51	10

PARTS No.	Fig.	Ref.No.
105582-59150	52	10
105583-49910	1	23
105583-85900	83	1
110250-53150	46	10
110250-55610	47	5
	48	5
113200-53110	46	7
113200-53120	46	9
119183-91860	88	5
119660-35150	30	6 -1
	93	10 -1
120130-49350	1	22
	2	20
	36	26
120324-91610	88	25
120324-91690	88	16
120445-44530	37	1 -1
120445-44540	37	2
120445-44620	10	9
121000-01850	3	17
	4	17
121000-03020	9	1
121000-03070	9	2
	94	9
121000-03080	9	6
121000-11050	17	17
	18	17
121000-42051	35	2
	94	13
121000-42100	35	3
121000-61600	54	16
121000-66090	55	3
121150-35100	30	5
121370-55730	47	4
	48	4
121450-01203	1	19
	2	17
121450-01210	1	6
	2	6
121450-01220	1	7
	2	7
121450-01560	3	3
	4	3
121450-01800	3	12
	4	12
		12 -1
121450-01801	3	12 -2
	4	12 -2
121450-01960	1	13
	2	13

PARTS No.	Fig.	Ref.No.
121450-01980	1	14
	2	14
121450-01990	1	11 -1
	2	11 -1
121450-02071	8	13
121450-02100	1	15
	2	16
	8	7
121450-02110	8	3
121450-02160	8	10
121450-02310	1	34
	2	31
	8	17
121450-02320	8	15
121450-02370	8	16
121450-11260	17	26
	18	24
121450-11270	17	27
	18	25
121450-11670	18	19
121450-11680	17	20
	18	20
	36	21
	94	11
121450-11681	17	20 -1
	18	20 -1
	36	21 -1
121450-14400	23	6
	24	6
121450-21540	25	8
121450-21541	25	8 -1
121450-32021	28	1
	94	12
121450-32050	28	4
		4 -1A
121450-32060	28	4 -1B
121450-32200	28	10
121450-42240	35	6
121450-42260	35	7
121450-42310	35	8
121450-44410	35	16
	41	4
	94	16
121450-51550	44	25
121450-59850	49	4
121465-59950	49	6
	50	4
121520-01850	45	1
	94	5
121520-01851	45	1 -1

PARTS No. INDEX

PARTS No.	Fig.	Ref.No.
121550-11280	17	31
	18	29
121550-11290	17	32
	18	30
121574-21500	25	14
121574-86320	59	14
	70	4
121575-01510	3	6
	4	6
	94	3
121575-01511	3	6 -1
	4	6 -1
121575-01860	3	18
	4	18
	94	6
121575-01861	3	18 -1
	4	18 -1
121575-07230	11	1
121575-07240	12	2
121575-11121	17	8
	18	8
121575-11670	17	19
121575-32090	28	2
121575-42000	34	1
121575-42120	34	16
121575-42150	34	13
121575-49300	34	18
121575-49310	40	3
121575-61160	54	12
121575-61161	54	12 -1
121575-61220	54	5
121575-61620	54	17
121575-61710	54	18
121575-61720	54	19
121575-66051	55	2
121575-66200	55	9
121575-66310	54	20
121575-66510	58	1
121575-66550	58	5
121575-66580	58	6
121575-66800	56	1
	57	6
121575-66850	56	2
121575-67580	59	8
	60	8
121575-67581	59	8 -1
	60	8 -1
121575-91250	88	10
121750-49800	42	3
	93	13

PARTS No.	Fig.	Ref.No.
121750-59890	43	5
122410-61650	54	15
122780-09320	16	4
	17	22
122780-59100	49	3
123210-09310	1	17
	16	2
		5
	17	23
123310-77640	65	1
123372-03150	12	3
123372-59100	50	3
123482-91291	88	11
123682-07850	10	6
123682-44190	36	13
123682-44200	36	16
123682-44201	36	16 -1
123682-44210	36	14
123682-44220	36	15
124000-01750	5	2
	94	4
124000-01751	5	2 -1
124000-03200	9	4
124000-11240	17	28
	18	26
124000-13200	75	5
124000-14090	23	2
	24	2
124060-01050	1	3
	2	3
	3	5
	4	5
124060-11160	17	3
	18	3
124060-32990	1	29
	2	26
124060-39451	32	10
	92	10
	93	11
124060-59380	51	13
	52	13
124070-13300	76	3
124070-13520	76	1
124070-14760	23	10
124070-42060	33	4
124070-42400	33	12
	34	17
124070-42410	33	13
124070-42420	33	14
	34	6

PARTS No.	Fig.	Ref.No.
124070-59060	80	2
124070-59130	80	3
124070-77950	66	4
124070-91250	71	8
	87	10
	89	7
124070-91290	71	9
	87	11
	89	8
124070-91300	71	12
	87	14
	89	11
124085-01900	1	9
	2	9
124085-02220	8	4
124085-35300	31	1
124085-35350	31	7
124085-51500	44	24
124085-92210	91	5
124085-92250	91	6
124085-92260	91	7
124085-92270	91	8
124085-92400	91	9
124085-92700	91	17
124101-49530	42	1 -1
124160-01751	19	10
124160-11360	19	13
124160-39140	32	8
124160-39540	32	4
124160-49480	2	21
	36	25
124220-09340	10	8
124220-51890	44	30
124223-42040	34	9
124223-42070	34	10
124223-42080	34	8
124223-42091	34	3
	93	12
124223-42110	34	14
	94	15
124223-49050	43	6
	79	2
124240-01871	1	25
	2	22
124240-01882	1	26 -1
	2	23
	94	7
124240-01883	1	26 -2
	2	23 -1
124250-03640	58	4

PARTS No.	Fig.	Ref.No.
124323-42100	34	19
124450-35070	30	4
124450-35100	30	6
		7
	92	9
	93	10
124450-39240	32	9
	51	1
	52	1
124460-77680	1	32
	2	29
	36	27
		29 -1
124550-35350	91	2
124550-51320	44	11
124550-51341	44	12
124550-51350	44	10
124550-51370	44	13
124550-51590	44	26
124550-59820	32	7
124550-77030	62	2
124617-91980	88	4
124617-91990	88	34
124722-59050	36	29
124732-42290	64	3
	93	20
124736-49540	42	2 -1
	94	18 -1
124770-49040	40	2
124770-53000	46	2
	92	14
	93	15
124770-77940	66	3
124772-08341	15	1
124790-44470	36	19
124790-44560	37	3
124790-55601	47	1
	48	1
124790-59530	53	4
124950-01951	3	21
	4	21
124950-11340	17	10
	18	10
124950-11450	17	45
	18	43
124950-21600	25	13
124950-26021	1	26
124950-51190	44	15
124950-51270	44	6
124950-51450	44	35

PARTS No. INDEX

PARTS No.	Fig.	Ref.No.
124950-51510	44	14
124950-51640	44	28
124950-51650	44	29 A
124950-51670	44	29
126630-07370	10	5
127610-91350	42	4
	93	14
127611-07350	10	4
127687-91870	88	35
127687-91880	88	36
127692-91410	88	30
127692-91440	88	31
127692-91450	88	32
128170-01600	6	1
128170-01830	3	15
128170-07850	10	7
128170-08100	13	1
128170-08120	13	2
	14	1
128170-08130	13	3
	14	2
128170-13200	21	2
	92	3
128170-13201	21	2 -1
128170-13530	21	1
128170-14150	23	4
	24	4
128170-49080	43	1
128170-49081	43	1 -1
128170-49150	41	6
128170-51101	44	3
128170-51300	44	7
128170-53080	46	5
128170-66870	57	7
128170-66880	57	8
128170-66890	57	12
128170-76790	61	1
128170-77010	62	1
	73	1
128170-77500	66	6
	90	1
128170-86300	70	1
128170-86500	86	1
128170-91001	87	1
128170-91010	87	2
128170-91020	87	3
128170-91031	87	4
128170-91100	87	6
128170-91160	87	20
128170-91310	87	15

PARTS No.	Fig.	Ref.No.
128170-91810	71	15
	87	17
	89	14
128170-91820	71	16
	87	18
	89	15
128170-91830	71	17
	87	19
	89	16
128171-07150	10	13
128171-22250	26	10
128171-81010	67	1
128171-81020	67	2
128171-81030	67	3
128171-81110	67	1 -1
128171-81120	67	2 -1
128171-81130	67	3 -1
128171-81150	67	7
		7 -1
128176-07250	114	1
128270-01450	1	24
128270-01720	5	1
128270-01820	3	13
	4	13
128270-01890	1	21
	2	19
128270-03610	19	3
128270-03640	19	5
128270-03750	19	4
128270-08341	15	2
128270-09300	1	16
	16	1
128270-11310	19	12
	94	10
128270-12500	20	1
128270-12540	20	4
128270-12700	20	5
128270-13600	75	1
128270-13610	75	7
128270-13620	75	3
128270-13650	75	8 -1
128270-14010	23	1
	24	1
128270-21651	25	9
128270-34800	29	1
128270-35090	30	1
128270-39200	32	1
128270-42000	33	1
128270-42150	33	21
	34	21

PARTS No.	Fig.	Ref.No.
128270-49010	39	1
128270-49020	39	2
128270-49050	39	3
128270-49100	41	3
128270-49250	75	9
128270-49300	33	15
128270-55610	47	11
128270-59011	51	2
128270-59080	51	6
128270-59810	49	1
128270-59820	49	2
128270-66010	55	1
128270-66550	57	1
128270-67100	59	1
128270-77921	66	1
128270-91001	71	1
128270-91010	71	2
	89	2
128270-91020	71	3
	89	3
128270-91031	71	4
128270-91040	71	5
	89	5
128270-91230	71	7
128270-91350	71	13
	89	12
128270-91360	71	14
	89	13
128271-01330	1	33
	2	30
	92	2
	93	2
	94	2
128271-01911	1	33 -1
	2	30 -1
	92	2 -1
	93	2 -1
	94	2 -1
128271-08150	14	3
128271-08160	14	4
128271-21590	25	11
128271-49450	43	4
128271-77330	63	2
	64	2
128271-77340	63	5
	64	5
128271-77920	66	1 -1
128271-77921	66	1 -2
		1 -3
128272-11170	17	4

PARTS No.	Fig.	Ref.No.
128272-11170	18	4
128275-11410	17	41
	18	39
128275-11490	17	46
	18	44
128275-11500	17	47
	18	45
128275-39710	77	2
128275-91340	41	2
	92	13
128290-13250	36	31
	93	4
128290-13251	36	31 -1
	93	4 -1
128290-44011	36	2
128290-44050	36	3
128290-44400	36	18
128290-44481	36	22
128290-44900	36	1 -1
128290-49510	40	4
128290-59010	52	2
128290-59080	52	6
128290-59810	50	1
128290-59820	50	2
128291-49020	40	1 A
128291-49250	43	7
128370-13200	22	1
	76	11
	93	3
128370-13201	22	1 -1
	76	11 -1
	93	3 -1
128370-13530	22	2
128370-13610	76	8
128371-01601	7	1
128371-81050	67	4
	68	1
128371-91000	89	1
128371-91030	89	4
128374-81310	67	8
128374-81320	67	9
128374-81330	67	10
128391-77700	66	6 -1
	88	38
128391-77860	71	18
	87	21
128391-91130	88	1
128391-91200	88	2
128391-91260	88	5 -1
128391-91440	88	23

PARTS No. INDEX

PARTS No.	Fig.	Ref.No.
128391-91640	88	22
128391-91700	88	7
128391-91740	88	24
128391-91850	88	33
128391-91860	88	6
128391-91930	88	18
128670-01830	4	15
128670-77350	63	3
	92	19
128690-44060	36	4
128690-49010	40	1
128690-49250	76	6
128690-49310	36	5
128690-49530	42	1
128695-07230	12	1
128695-42010	35	1
128695-42350	35	15
128695-44070	36	10
128695-44090	36	9
	111	5
128695-49520	40	5
128695-49530	40	6
129170-91650	88	8
129170-91800	88	13
129170-91810	88	17
129198-07350	10	4 -1
129301-52020	45	2
129305-07950	12	4
129350-01230	1	20
	2	18
129350-14100	23	3
	24	3
129350-21200	25	7
129350-42200	35	5
129350-49540	42	2
	94	18
129574-91410	88	9
129574-91420	88	20
129574-91620	88	19
129574-91650	88	29
129574-91710	88	26
129574-91720	88	21
129574-91750	88	27
129574-91760	88	37
129574-91770	88	28
129574-91780	88	14
129574-91790	88	15
129574-91870	88	3
129772-77200	63	1
	64	1

PARTS No.	Fig.	Ref.No.
129772-77200	74	1
135210-39140	51	8
	52	8
135210-51900	47	9
	48	9
135210-61090	57	14
138603-59380	80	6
171016-61100	54	2
171051-01921	2	15
172100-53200	46	12
174100-54120	44	21
174307-51170	44	16
174307-51181	44	17
174307-51460	44	36
174307-51700	44	22
177070-02511	105	6
177070-02520	105	7
177070-02680	106	1
177070-02801	106	2
177070-02811	106	3
177070-02820	106	4
177070-02830	106	5
177070-02840	106	6
177070-02850	106	7
177070-02900	106	8
177070-02910	106	9
177070-03011	107	1
177070-03021	107	2
177070-03031	107	3
177070-03041	109	1
177070-03071	109	2
177070-03112	109	3
		4
177070-03122	109	5
177070-03131	109	6
177070-03190	109	7
177070-03200	109	8
177070-03231	109	9
177070-03250	109	10
177070-03302	108	1
177070-03500	107	5
177070-03501	67	4 -1
	68	1 -1
177070-03600	109	16
177070-03610	110	1
177070-03620	110	2
177070-03630	110	3
177070-04250	111	1
177070-04260	111	2
177070-04270	111	3

PARTS No.	Fig.	Ref.No.
177070-04280	111	4
177070-09010	113	1
177073-03340	102	18
	109	14
177088-02011	95	1
177088-02012	100	1
177088-02033	95	7
	100	7
177088-02091	95	2
177088-02120	100	2
	105	1
177088-02300	100	9
	105	2
177088-02350	95	6
	100	6
	105	3
177088-02430	10	1
	105	4
177088-02450	95	10
177088-02451	100	10
	105	5
177088-02950	95	12
	100	12
	105	8
177088-02961	95	13
	100	13
177088-02970	95	14
177088-03011	96	3
177088-03012	101	3
177088-03020	96	4
177088-03021	101	4
177088-03030	96	2
177088-03031	101	2
177088-03071	97	2
177088-03072	102	2
177088-03091	97	1
177088-03092	102	1
177088-03110	97	4
		6
177088-03111	102	4
		6
177088-03120	97	5
177088-03121	102	5
177088-03130	97	3
177088-03131	102	3
177088-03192	97	7
	102	7
177088-03201	97	8
	102	8
177088-03232	97	9

PARTS No.	Fig.	Ref.No.
177088-03233	102	9
177088-03252	97	10
	102	10
177088-03272	97	11
	102	11
	109	11
177088-03280	97	16
	102	16
	109	12
177088-03290	97	15
	102	15
	109	13
177088-03301	96	5
177088-03302	101	5
177088-03311	96	6
	101	6
	108	2
177088-03331	96	7
	101	7
	108	3
177088-03341	96	8
	101	8
	108	4
177088-03400	96	1
	101	1
	107	4
177088-03520	97	14
	102	14
177088-03540	102	17
	109	15
177088-03552	97	12
	102	12
177088-06010	98	3
177088-06020	98	5
177088-06050	98	9
177088-06070	98	10
177088-06090	98	11
177088-06100	98	18
177088-06101	103	5
	112	1
177088-06110	98	17
177088-06120	98	12
177088-06140	98	14
177088-06150	98	15
177088-06160	98	16
177088-06170	98	13
177088-06340	112	2
177088-06350	103	3
177088-06360	103	9
	112	6

PARTS No. INDEX

PARTS No.	Fig.	Ref.No.
177088-06370	103	10
	112	7
177088-06380	103	13
	112	8
177088-06390	103	4
	112	9
177088-06400	103	1
	112	10
177088-06410	103	6
	112	11
177088-09010	99	1
	104	1
	113	2
177088-09020	99	2
	104	2
	113	3
177088-09030	99	3
	104	3
	113	4
177088-09040	99	4
	104	4
	113	5
177088-09050	99	5
	104	5
	113	6
177088-09060	99	6
	104	6
	113	7
177088-09070	99	7
	104	7
	113	8
177088-09080	99	8
	104	8
	113	9
177088-09090	99	9
	104	9
177088-09150	99	14
	104	14
	113	15
177088-09160	99	15
177090-02250	95	9
177095-03190	98	4
177095-06040	98	1
196311-34250	86	2
196322-06610	103	11
	112	4
41710-000380	86	3
41710-000410	59	2
	60	2
	70	3

PARTS No.	Fig.	Ref.No.
41730-000680	86	2 -1
42222-003550	10	10
		11
43400-500390	51	14
	52	14
	94	27
43400-500450	57	13
	94	28
43662-010030	38	1
43662-015020	79	1
43666-020951	38	4
	79	4
45414-500260	84	1
46150-001110	71	6
	87	5
		7
	89	6
46150-003680	66	2
	92	21
	93	21
48110-025063	69	1 -1
	82	6
48110-028063	69	1
	82	1
48110-032411	69	2
	82	2
	84	4
704507-92100	72	1
705311-22500	26	3
	92	4
	93	5
705311-23600	27	5
705325-22540	26	12
711100-51540	44	19
720445-44200	37	1
721450-02500	8	1
721450-02612	8	8
721500-61560	54	6
721575-42500	34	4
724085-11650	17	35
	18	33
724085-21701	25	1
724550-51520	44	18
728170-53100	46	1
728171-23100	27	1
728270-01610	3	1
	4	1
728270-11520	19	1
728270-92400	91	1
728271-01560	1	1

PARTS No.	Fig.	Ref.No.
728271-01560	2	1
728271-51100	44	1
728271-51101	44	1 -1
728271-92500	92	1
728271-92600	94	1
728272-11700	17	1
	18	1
728290-44501	36	1
728291-92500	93	1
728695-43500	35	10
771016-61620	54	2 -1
83213-003012	80	1
947859-20010	78	12
977782-00122	78	1
X211413005	73	8
X211415006	73	14
X21142835	73	21
X21143215	73	6
X211433101	73	10
X21144454	73	13
X211447009	73	19
X211451005	73	2
X21145312	73	7
X21145314	73	12
X21145352	73	9
X21145661	73	16
X21145866	73	22
X211462101	73	5
X21146963	73	17
X21147155	73	4
X211476503	73	15
X21148110	73	3
X21148313	73	11
X21148852	73	20
X21149652	73	18
X6201SD	74	3
X6203BM	74	16
XBP1901300	78	3
XBP1901820	78	7
XBP1901830	78	8
XBP1901910	78	9
XBP1901920	78	10
XBP1901950	78	11
XBP1902200	78	2 -1
XBP1902400	78	4
XBP1902810	78	6
XBP1905500	78	5
XBP2901200	78	2
XL12013262	74	9
XL13513134	74	12

PARTS No.	Fig.	Ref.No.
XL15014042	74	15
XL15018015	74	18
XL1501810	74	19
XL15028001	74	20
XL15542001	74	4
XL15553002	74	5
XL1556315	74	7
XL15571001	74	2
XL1557500	74	17 -1
XL2251318	74	11
XL2253320	74	13
XL2253400	74	14
XL22553012	74	6
XL2255330	74	8
XL22555001	74	17
XTR1Z63	74	10



YANMAR CO.,LTD.