



PARTS CATALOG

Published

2009/11 (Nov.)

OCR10-G56000

Introduction

1. This parts catalog is a first edition of the 3YM30 Diesel engine.

	Parts catalog No.	Date of issue	Remarks
First edition	OCR10-G56000	Aug. , 2003	

2. This parts catalog does not covers the reduction reverser and outdrive.
Please refer to the separate parts catalog, (NO. 000Y00F5940 KM2P-1 or 000Y00F5930 SD20), which covers the reverser.

3. Standard finish color. Yanmar ecole silver metallic

Parts No.	977620-10070	1L (Packed in a can)
Parts No.	977620-40070	4L (Packed in a can)
Parts No.	TOR-90090003	Spray (1 piece)

4. This parts catalog does not contain the technical data needed for maintenance service.

5. The illustrations used in this parts catalog have been simplified for clarity.

6. Specification

Model	3YM30			
Type	4-stroke, vertical, water-cooled, diesel engine			
No. of cylinder - Bore (mm) x Stroke (mm)	3 - 76 x 82			
Continuous rating kW/min ⁻¹ (PS/rpm)	20.1/3489 (27.3/3489)			
Combustion system	Direct injection			
Starting system	Electric starting 12V-1.4kW			
Power take-off position	Flywheel side			
Cooling system	Fresh water (Filtered sea water) cooling			
Lubricating system	Forced lubrication			
Reduction reverser	KM2P-1			SD20
Reduction ratio (F/R)	2.21/3.06	2.62/3.06	3.22/3.06	-

7. The contents of this parts catalog are subject to change without notice.

8. Be sure to use only Yanmar genuine part for repairs. If imitation parts are used, it may cause engine defects.

Directions for the Parts Catalog.

1. The parts stipulated in this Parts Catalog are not necessarily standard equipped parts.
2. Parts may change without prior notice.
3. The following is an example of the Parts Catalog format.

REF.	LEV.	PARTS NO.	DESCRIPTION	Q'TY						I	R
				(A)	(B)	(C)	(D)	(E)	(F)		
1	1	729595-51390	FUEL INJECTION PUMP	1	1	1	1	1			1
1-1	1	729595-51391	FUEL INJECTION PUMP	1	1	1	1	1		N	1
		(A=E00185) (B=E00200)									
3	2	26022-060162	SCREW M 6X 16	9	9	9	9	9			
3-1	2	26022-060162	SCREW M 6X 16	4	4	4	4	4		K	
		(A=E00156) (B=E00156) (C=E00156) (D=E00156) (E=E00156)									
4	2	129470-51040	CAMSHAFT	1	1	1	1	1			
5	2	122710-51050	BEARING, ROLLER	2	2	2	2	2			
6	2	129470-51060	RETAINER	1	1	1	1	1			

Remarks
(1) BOOST COMPEMSATOR TYPE. OPTIONAL PART, TO E00155,(4JH-DT, 4JH-DTZ

① Ref. No.

The Ref. No. listed may not be in accordance with the illustration Ref. No.

(Ex.) Illustration No.

List Ref No.

1

1

(Before change)

1-1

(After change)

For interchangeable symbols N, R and K, illustrations for new parts may be abbreviated.

② Lev. (Level)

Level indication

The numbers below indicate the level of relativity towards the main part.

1 ----- Main parts (Assembly parts)

2 ----- Sub component included in " 1 ".

3 ----- Sub component included in " 2 ".

Note) Parts that are not for sale are partially illustrated but not listed.

③ Interchangeability Mark

When a part change takes place, one of the following interchangeability symbols is indicated beside the part.

Symbol	Interchangeability	Contents note
N	Old $\begin{matrix} \leftarrow \text{Yes} \\ \text{No} \rightarrow \end{matrix}$ New	New Part is interchangeable for Old Part but Old Part is not interchangeable for New Part.
Q	Old $\begin{matrix} \leftarrow \text{No} \\ \text{Yes} \rightarrow \end{matrix}$ New	New Part is not interchangeable for Old Part but Old Part is interchangeable for New Part.
R	Old $\begin{matrix} \leftarrow \text{Yes} \\ \text{Yes} \rightarrow \end{matrix}$ New	New/ Old Parts are both interchangeable.
S	Old $\begin{matrix} \leftarrow \text{No} \\ \text{No} \rightarrow \end{matrix}$ New	New/ Old Parts are both not interchangeable.
W		Part discontinued.
Z		Part newly added.
F		Not interchangeable by a single part but interchangeable together with related parts.
K		Changes only for used parts quantities.

④ Effective Machine No.

When a part changes, the effective Machine No. will be indicated in the (A)-(F) column.

Product Symbol	Product No.	Product Symbol	Product No.
C	Clutch No. Compressor No.	F	Machine No. (Agricultural Equip.)
D	Drive No.	M	Machine No.
E	Engine No.	Note 1)	Date

Note 1) A date may follow the symbol. (Ex.) 1996.01

Note 2) " XXX " are for parts that could not be predicted or for engine models that could not be identified.

Note 3) (A=E00185) is the E (Engine Serial Number) for the column (A) model (in this case 4JH-DT) after the parts design change.

⑤ Remarks Mark

Figures or alphabets (symbols) are entered in the remarks column.

The comments (remarks) on parts that are indicated at the bottom of the illustration are the same symbols as those stated above.

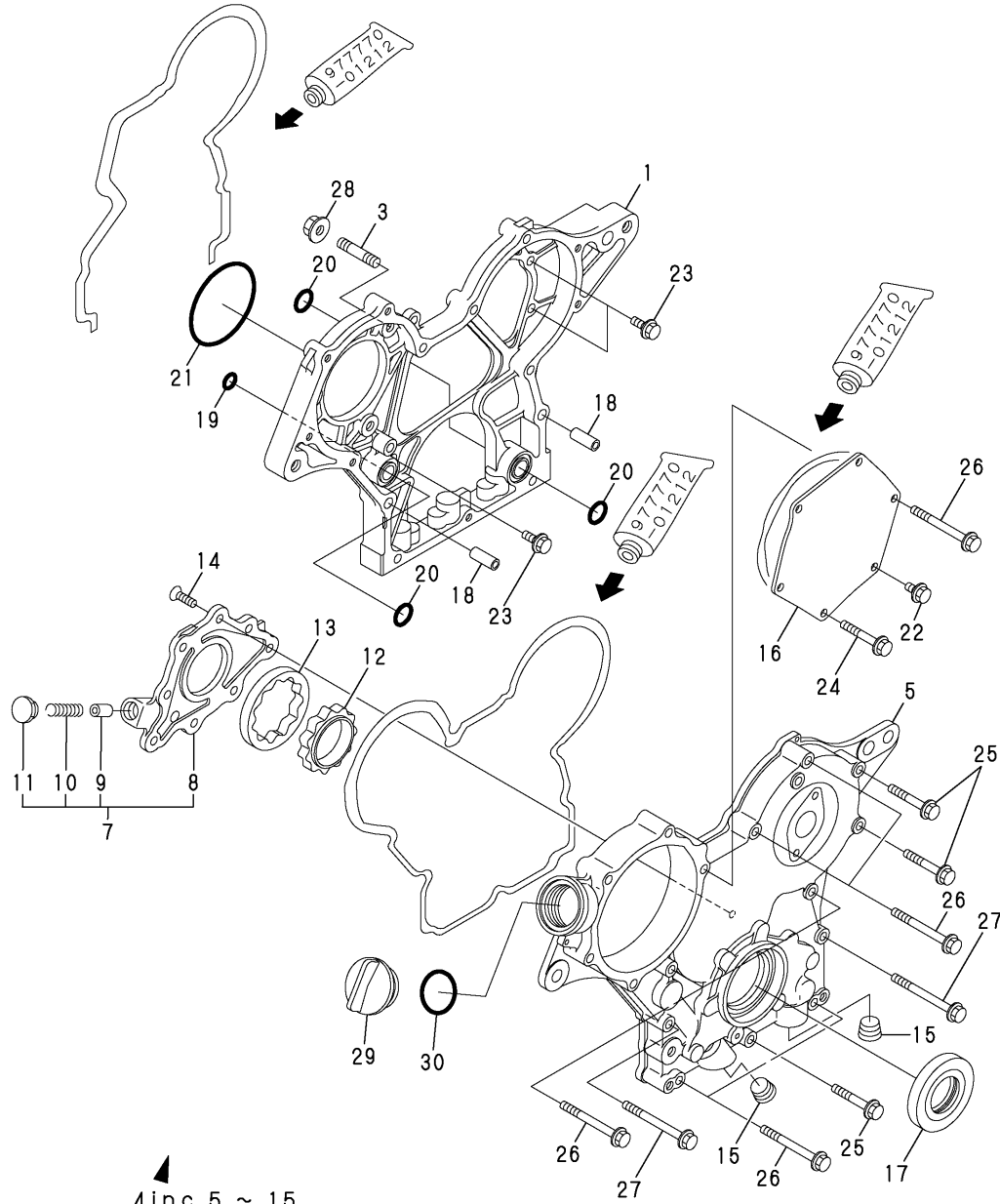
CONTENTS

MODEL : 3YM30
PC NO : 0CR10-G56000

Fig.No.	GROUP NAME
3YM30	
1.	CYLINDER BLOCK
2.	GEAR HOUSING
3.	FLYWHEEL HOUSING & L.O.SUMP
4.	MOUNTING FOOT
5.	LABEL
6.	CYLINDER HEAD & BONNET
7.	AIR INTAKE SILENCER
8.	MIXING ELBOW
9.	CAMSHAFT & DRIVING GEAR
10.	CRANKSHAFT & PISTON
11.	LUB.OIL DIPSTICK
12.	LUB.OIL SYSTEM
13.	COOLING SEA WATER PUMP
14.	COOLING FRESH WATER PUMP
15.	COOLING FRESH WATER COOLER
16.	COOLING SEA WATER PIPE
17.	COOLING FRESH WATER PIPE
18.	BILGE PUMP(STD/OPTIONAL)
19.	BILGE PUMP(DX/OPTIONAL)
20.	FUEL INJECTION PUMP
21.	GOVERNOR
22.	FUEL FEED PUMP
23.	FUEL INJECTION VALVE
24.	FUEL PIPE & FUEL STRAINER
25.	FUEL TANK(OPTIONAL)
26.	CABLE SUPPORT
27.	CLUTCH
28.	CLUTCH REMOTE CONTROL
29.	COUPLING(OPTIONAL)

Fig.No.	GROUP NAME
30.	STARTING MOTOR
31.	GENERATOR
32.	GENERATOR(80A/OPTIONAL)
33.	WIRE HARNESS & RELAY
34.	INSTRUMENT PANEL(B-TYPE/OPTIONAL)
35.	TOOL
36.	GASKET SET(OPTIONAL)
37.	V-BELT COVER

Fig.2. GEAR HOUSING



(A)=3YM30

(B)=

(C)=

(D)=

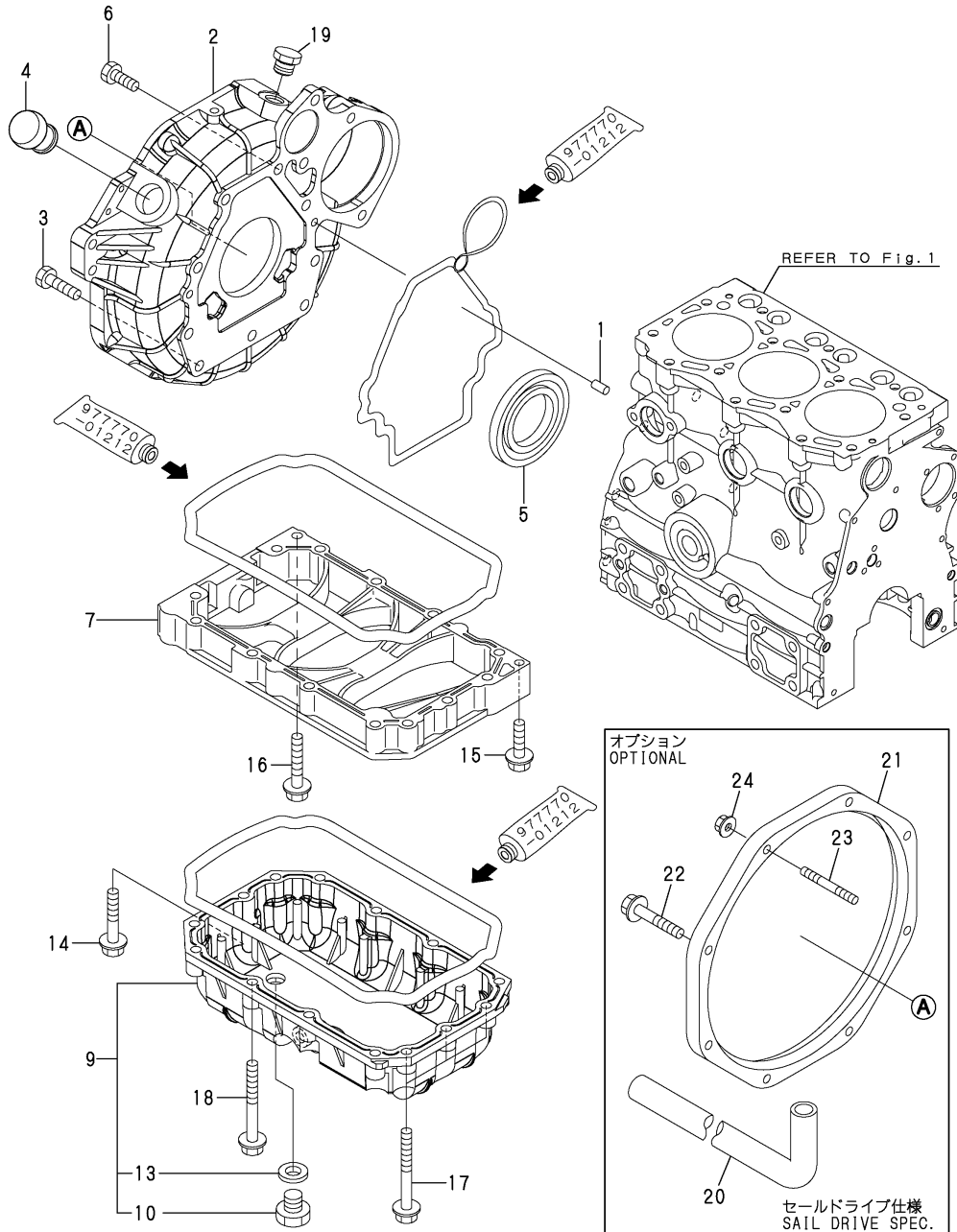
(E)=

(F)=

REF.	LEV.	PARTS NO.	DESCRIPTION	QTY						I	R
				(A)	(B)	(C)	(D)	(E)	(F)		
1	1	119717-01501	CASE, GEAR	1							
3	1	119717-01570	BOLT, STUD M8		3						
4	1	119717-01590	COVER ASSY, GEAR CASE	1							
5	2	119717-01521	COVER, GEAR CASE	1							
7	2	119717-32100	COVER ASSY, PUMP	1							
8	3	119717-32080	COVER, LUB.OIL PUMP	1							
9	3	129900-32130	VALVE, RELIEF	1							
10	3	129001-32320	SPRING	1							
11	3	129001-32330	PLUG	1							
12	2	119717-32110	ROTOR, INNER	1							
13	2	119717-32120	ROTOR, OUTER	1							
14	2	119802-32130	SCREW, M6X16		8						
15	2	23876-030000	PLUG PT3/8, SCREW	2							
16	1	119717-01750	COVER, PUMP TIMING	1							
17	1	119620-01800	SEAL, OIL	1							
18	1	119660-01911	PIPE, KNOCK	4							
19	1	119624-32040	O-RING P 12.0	1							
20	1	119717-32050	O-RING, P17.0	3							
21	1	121850-51960	O-RING, F.I.PUMP	1							
22	1	26106-060122	BOLT M 6X 12 PLATED	1							
23	1	26106-060162	BOLT M 6X 16 PLATED	4							
24	1	26106-060402	BOLT M 6X 40 PLATED	4							
25	1	26106-060402	BOLT M 6X 40 PLATED	3							
26	1	26106-060602	BOLT M 6X 60 PLATED	7							
27	1	26106-060652	BOLT M 6X 65 PLATED	2							
28	1	26306-080002	NUT	3							
29	1	124160-01751	COVER, FILLER	1							
30	1	24311-000320	O-RING 1A P-32.0	1							

Fig.3. FLYWHEEL HOUSING & L.O.SUMP

P/C NEWS No:Y00R5600-1
PUBLISHED:2003/9



(A)=3YM30

(B)=

(C)=

(D)=

(E)=

(F)=

REF.	LEV.	PARTS NO.	DESCRIPTION	QTY						I	R
				(A)	(B)	(C)	(D)	(E)	(F)		
1	1	129100-01580	PARALLEL PIN 8X16	2							
2	1	128990-01600	HOUSING, FLYWHEEL	1							
3	1	121120-01620	BOLT M 10X 28	3							
4	1	119620-01750	CAP, FLYWHEEL COVER	1							
5	1	124085-02220	SEAL, OIL	1							
6	1	26206-100252	BOLT M10X25	8							
7	1	119717-01720	SPACER, OIL SUMP	1							
9	1	128990-01750	SUMP CMP, LUB OIL	1							
10	2	23887-160002	PLUG 16,HEX.	1							
I	10-1	2	121450-42450	PLUG M16	1						N
			(A=FROM 1ST)								
13	2	23414-160000	GASKET 16, ROUND	1							Z
I	13-1	2	124465-44950	GASKET 16	1						N
			(A=FROM 1ST)								
I	13-2	2	124465-44950	GASKET 16	1						Z
			(A=EXXX)								
I	13-3	2	22190-160002	SEAL WASHER 16S	1						N
			(A=EXXX)								
14	1	26106-080452	BOLT M 8X 45 PLATED	1							
15	1	26106-080302	BOLT M 8X 30 PLATED	1							
16	1	26106-080452	BOLT M 8X 45 PLATED	1							
17	1	26106-080702	BOLT M 8X 70 PLATED	3							
18	1	26106-080702	BOLT M 8X 70 PLATED	10							
19	1	23887-180002	PLUG 18	1							
20	1	128990-49030	PIPE C,CSW	1							
21	1	128990-81150	SPACER,S-DRIVE	1							
22	1	26106-080452	BOLT M 8X 45 PLATED	5							
23	1	26216-080452	STUD M 8X 45 PLATED	3							
24	1	26366-080002	NUT M 8	3							

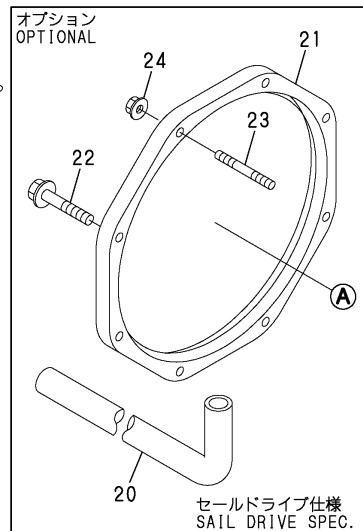
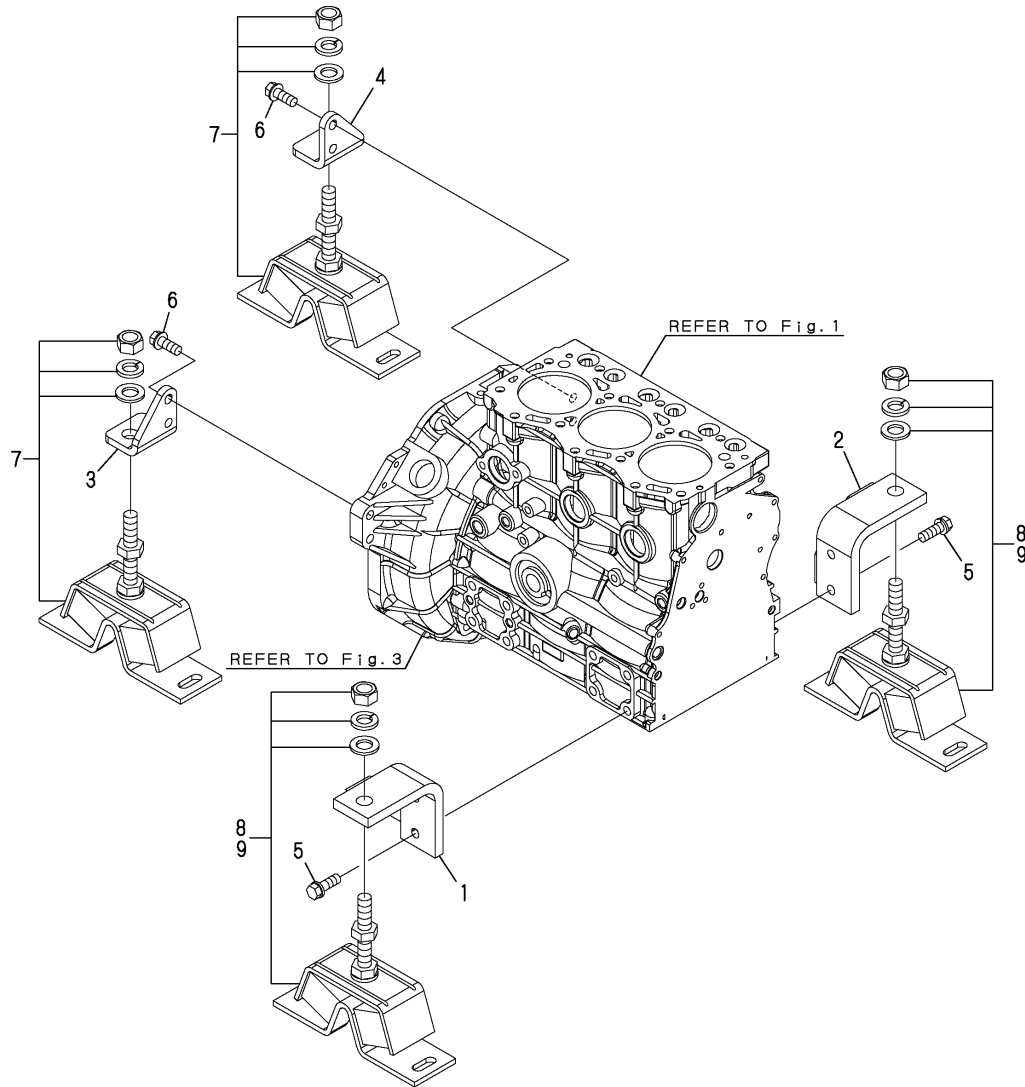


Fig.4. MOUNTING FOOT



OCR10-G56000 4. MOUNTING FOOT

(A)=3YM30
(B)=
(C)=

(D)=
(E)=
(F)=

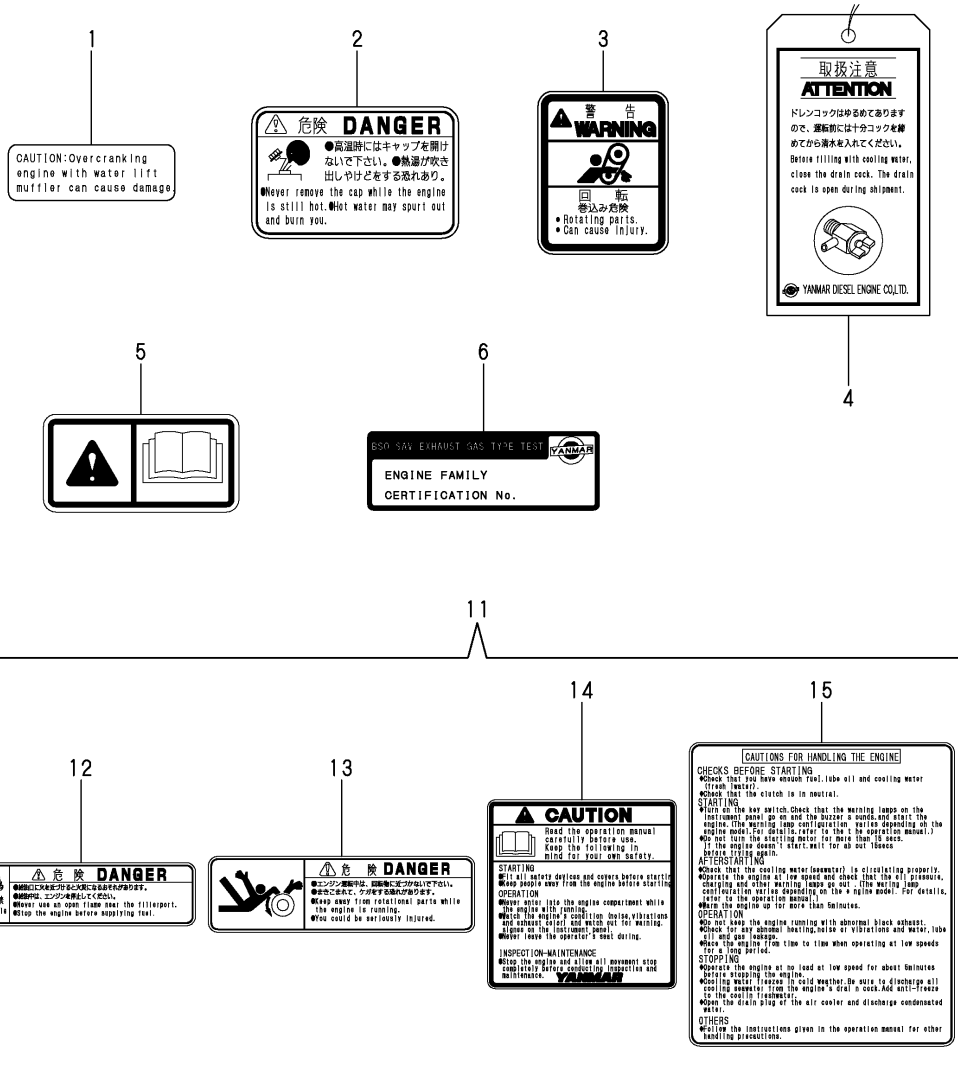
REF.	LEV.	PARTS NO.	DESCRIPTION	Q'TY						I	R
				(A)	(B)	(C)	(D)	(E)	(F)		
1	1	128990-08100	BRACKET,FRONT A	1							
2	1	128990-08110	BRACKET,FRONT B	1							
3	1	128377-08120	BRACEKT (A), REAR								
4	1	128377-08130	BRACKET(B), REAR	1							
5	1	26013-100302	BOLT M10X 30	4							
6	1	26106-100252	BOLT M10X 25 PLATED	4							
7	1	128377-08340	MOUNTING, FLEX.75	2							
8	1	128377-08350	MOUNTING, FLEX.100	2							
9	1	128377-08350	MOUNTING, FLEX.100	2							1

Remarks

(1)OPTIONAL:SAIL DRIVE SPEC.

N:Old $\xrightarrow{\text{Yes}}$ New, Q:Old $\xrightarrow{\text{No}}$ New, R:Old $\xrightarrow{\text{Yes}}$ New, S:Old $\xrightarrow{\text{No}}$ New, W:Add, Z:Discontinued, F:Interchangeable by set, K:Q'ty Change

Fig.5. LABEL



(A)=3YM30

(B)=

(C)=

(D)=

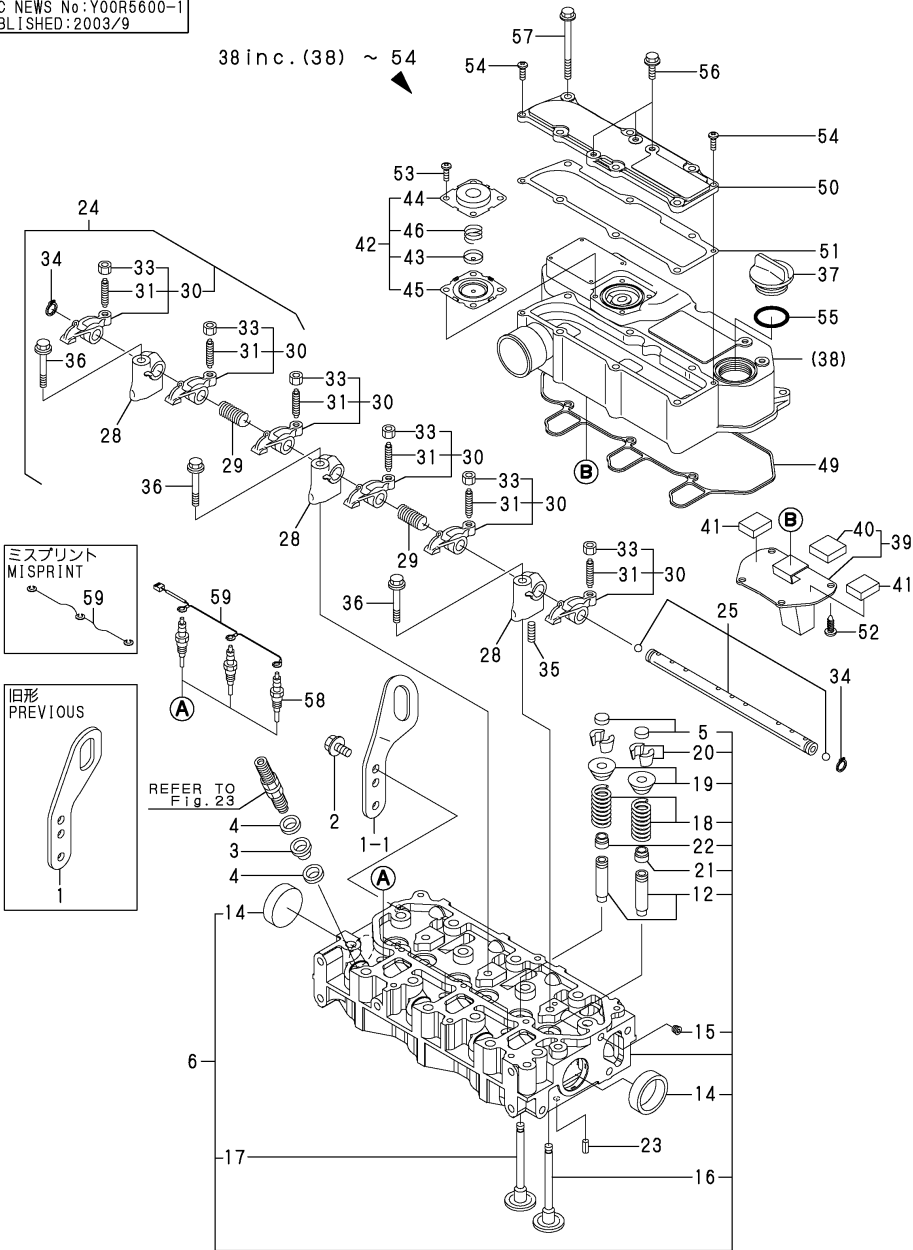
(E)=

(F)=

REF.	LEV.	PARTS NO.	DESCRIPTION	QTY						I	R
				(A)	(B)	(C)	(D)	(E)	(F)		
1	1	128377-07150	CAUTION LABEL	1							
2	1	128377-07260	LABEL,DANGER	1							
3	1	128377-07350	LABEL,WARNING	1							
4	1	123682-07852	LABEL, CW. TANK	1							
5	1	196630-12980	LABEL	1							
6	1	128990-07560	LABEL, BSO2	1							
11	1	128296-07190	LABEL,LOOSE PARTS	1							
12	2	128296-07400	LABEL,DANGER	2							
13	2	128296-07420	LABEL,DANGER	1							
14	2	128296-07450	LABEL,DANGER	1							
15	2	128296-07460	LABEL,DANGER	1							

Fig.6. CYLINDER HEAD & BONNET

P/C NEWS No.:Y00R5600-1
PUBLISHED:2003/9



Remarks
(1)REPAIR PART.

(A)=3YM30

(B)=

(C)=

(D)=

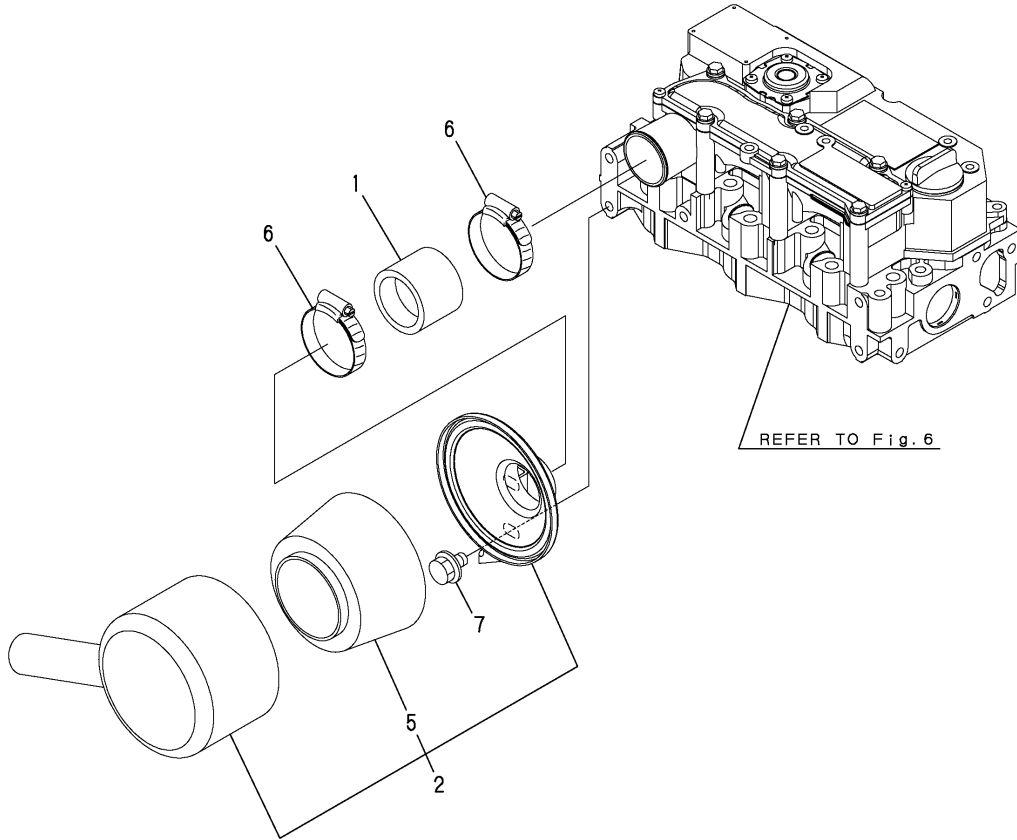
(E)=

(F)=

REF.	LEV.	PARTS NO.	DESCRIPTION	Q'TY						I	R
				(A)	(B)	(C)	(D)	(E)	(F)		
1	1	129486-07910	LIFTINGS	1							
I	1-1	128990-07910	LIFTINGS	1							N
(A)=2003.09)											
2	1	26106-080142	BOLT 8X 14 PLATED	2							
3	1	129901-11450	PROTECTOR, NOZZLE	3							
4	1	119600-11460	GASKET, NOZZLE	6							
5	1	105010-11490	CAP, VALVE	6							
6	1	119717-11740	HEAD ASSY, CYLINDER	1							
12	2	119717-11800	GUIDE, VALVE	6							1
14	2	119285-11990	PLUG 35	2							
15	2	23876-005000	PLUG PT 1/16,SCREW	1							
16	2	119717-11100	VALVE, INTAKE	3							
17	2	119717-11110	VALVE, EXHAUST	3							
18	2	119717-11131	SPRING, VALVE	6							
19	2	129508-11180	RETAINER, SPRING	6							
20	2	119717-11190	COTTER, VALVE	12							
21	2	119717-11340	SEAL, VALVE STEM	3							
22	2	119717-11350	SEAL, VALVE STEM	3							
23	1	22351-060012	SPRING PIN 6X12	2							
24	1	119717-11200	SUPPORT ASSY, ARM	1							
25	2	119717-11240	SHAFT ASSY, ROCKER	1							
28	2	119717-11260	SUPPORT, ROCKER ARM	3							
29	2	119620-11280	SPRING	2							
30	2	119717-11650	ARM ASSY, ROCKER	6							
31	3	129150-11230	SCREW, VALVE	6							
33	3	129150-11750	NUT M8XP1.0	6							
34	2	22242-000120	CIRCLIP 12	2							
35	2	26979-050162	SCREW M 5X16	1							
36	1	26106-080402	BOLT M 8X 40 PLATED	3							
37	1	124160-01751	COVER,FILLER	1							
38	1	119717-11381	BONNET ASSY, HEAD	1							
39	2	119717-03031	PLATE, BAFFLE	1							
40	3	119717-03070	BAFFLE, BREATHER	1							
41	2	119717-03070	BAFFLE, BREATHER	2							
42	2	119802-03100	DIAPHRAGM ASSY	1							
43	3	119802-03110	PLATE, DIAPHRAGM	1							
44	3	119802-03121	COVER, DIAPHRAGM	1							
45	3	119802-03131	DIAPHRAGM	1							
46	3	119802-03141	SPRING, DIAPHRAGM	1							
49	2	119718-11310	GASKET, BONNET	1							
50	2	119717-11320	COVER, BONNET	1							
51	2	119717-11331	GASKET,BONNET COVER	1							
52	2	22857-500100	SCREW 5X10,TAPPING	4							
53	2	22857-500100	SCREW 5X10,TAPPING	4							
54	2	22857-500160	SCREW 5X16	2							
55	1	24311-000320	O-RING 1A P-32.0	1							
56	1	26106-060202	BOLT M 6X 20 PLATED	3							
57	1	26106-060752	BOLT M 6X 75 PLATED	6							
58	1	119717-77800	PLUG, GLOW	3							
59	1	128990-77820	CONNECTOR,GLOW	1							

N:Old $\begin{matrix} \text{Yes} \\ \text{No} \end{matrix}$ New, Q:Old $\begin{matrix} \text{No} \\ \text{Yes} \end{matrix}$ New, R:Old $\begin{matrix} \text{Yes} \\ \text{No} \end{matrix}$ New, S:Old $\begin{matrix} \text{No} \\ \text{Yes} \end{matrix}$ New, W:Add, Z:Discontinued, F:Interchangeable by set, K:Q'ty Change

Fig.7. AIR INTAKE SILENCER



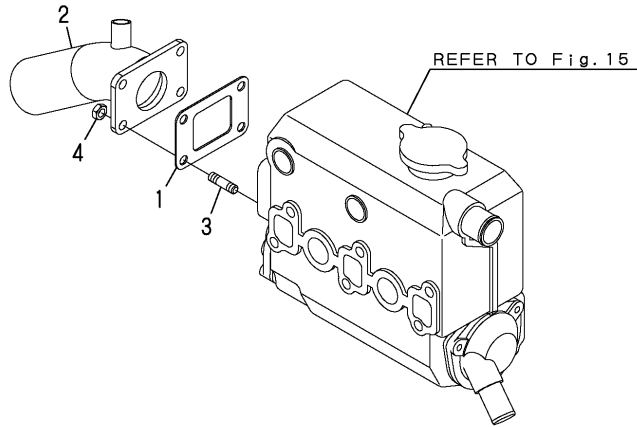
OCR10-G56000 7. AIR INTAKE SILENCER

(A)=3YM30
(B)=
(C)=

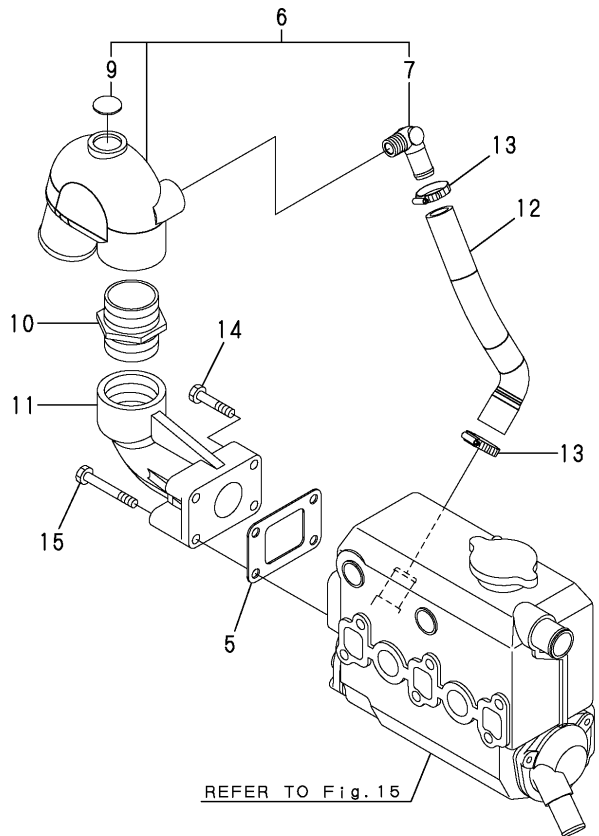
(D)=
(E)=
(F)=

REF.	LEV.	PARTS NO.	DESCRIPTION	QTY						I	R
				(A)	(B)	(C)	(D)	(E)	(F)		
1	1	128990-12210	JOINT ,AIR INTAKE	1							
2	1	128990-12500	SILENCER ASSY	1							
5	2	128270-12540	ELEMENT, SILENCER	1							
6	1	23001-060000	CLIP,HOLELESS HOSE	2							
7	1	26106-080122	BOLT M 8X 12 PLATED	2							

Fig.8. MIXING ELBOW



オプション
OPTIONAL



OCR10-G56000 8. MIXING ELBOW

(A)=3YM30

(B)=

(C)=

(D)=

(E)=

(F)=

REF.	LEV.	PARTS NO.	DESCRIPTION	QTY						I	R
				(A)	(B)	(C)	(D)	(E)	(F)		
1	1	128370-13201	GASKET, (NON-ASB.)	1							
2	1	128397-13530	ELBOW,MIXING	1							
3	1	128170-13600	STUD	4							
4	1	26703-080002	NUT M 8	4							
5	1	128370-13201	GASKET, (NON-ASB.)	1							
6	1	124070-13520	ELBOW, MIXING	1							
7	2	124070-13300	ELBOW (PT3/8)	1							
9	2	27233-250000	PLUG 25	1							
10	1	104214-13580	JOINT	1							
11	1	128370-13610	ELBOW, EXHAUST	1							
12	1	128990-49040	PIPE B,CSW	1							
13	1	23000-025000	CLAMP 25	2							
14	1	26203-080402	BOLT M 8X 40	2							
15	1	26203-080602	BOLT M 8X 60	2							

Fig.9. CAMSHAFT & DRIVING GEAR

(A)=3YM30

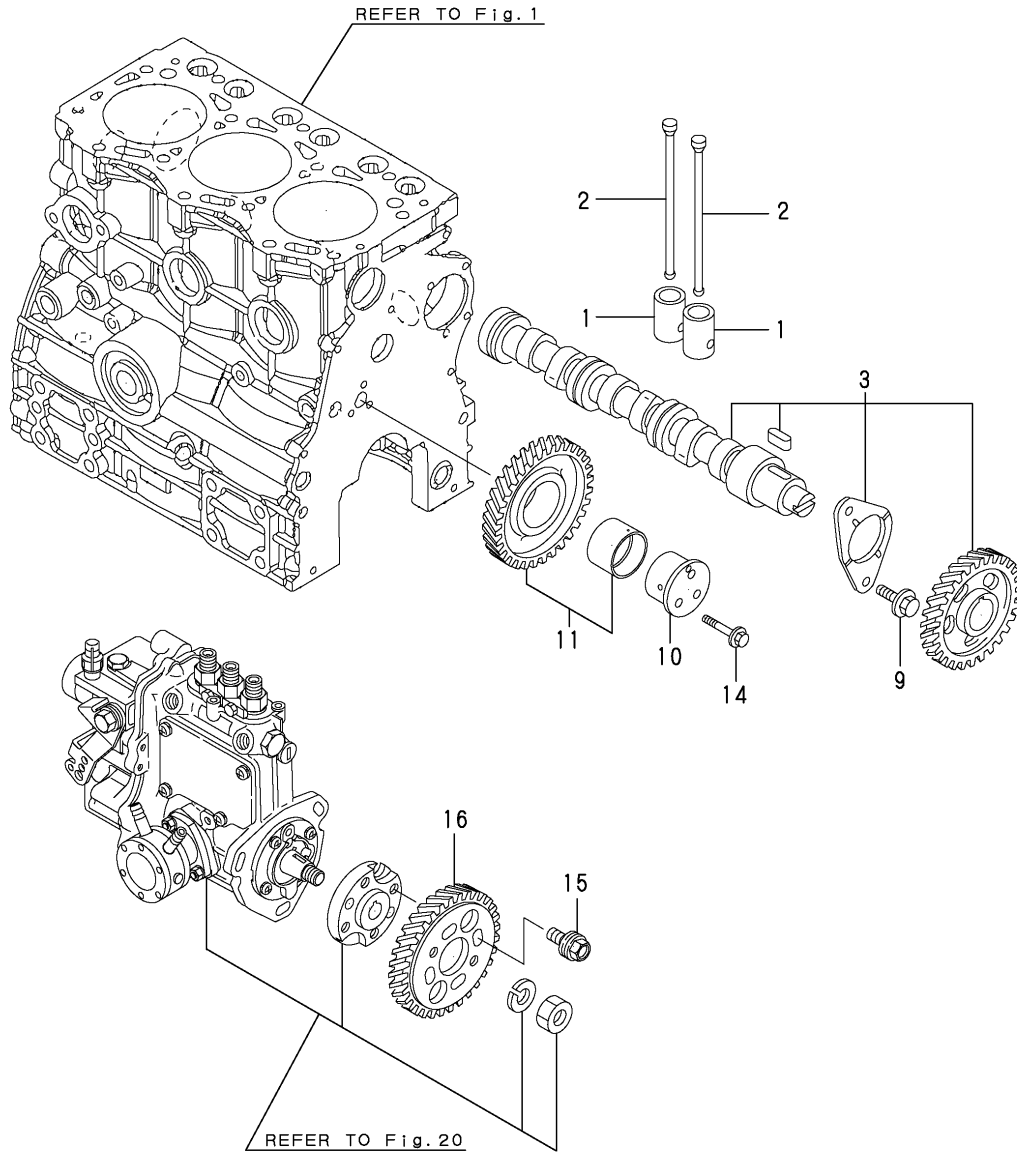
(B)=

(C)=

(D)=

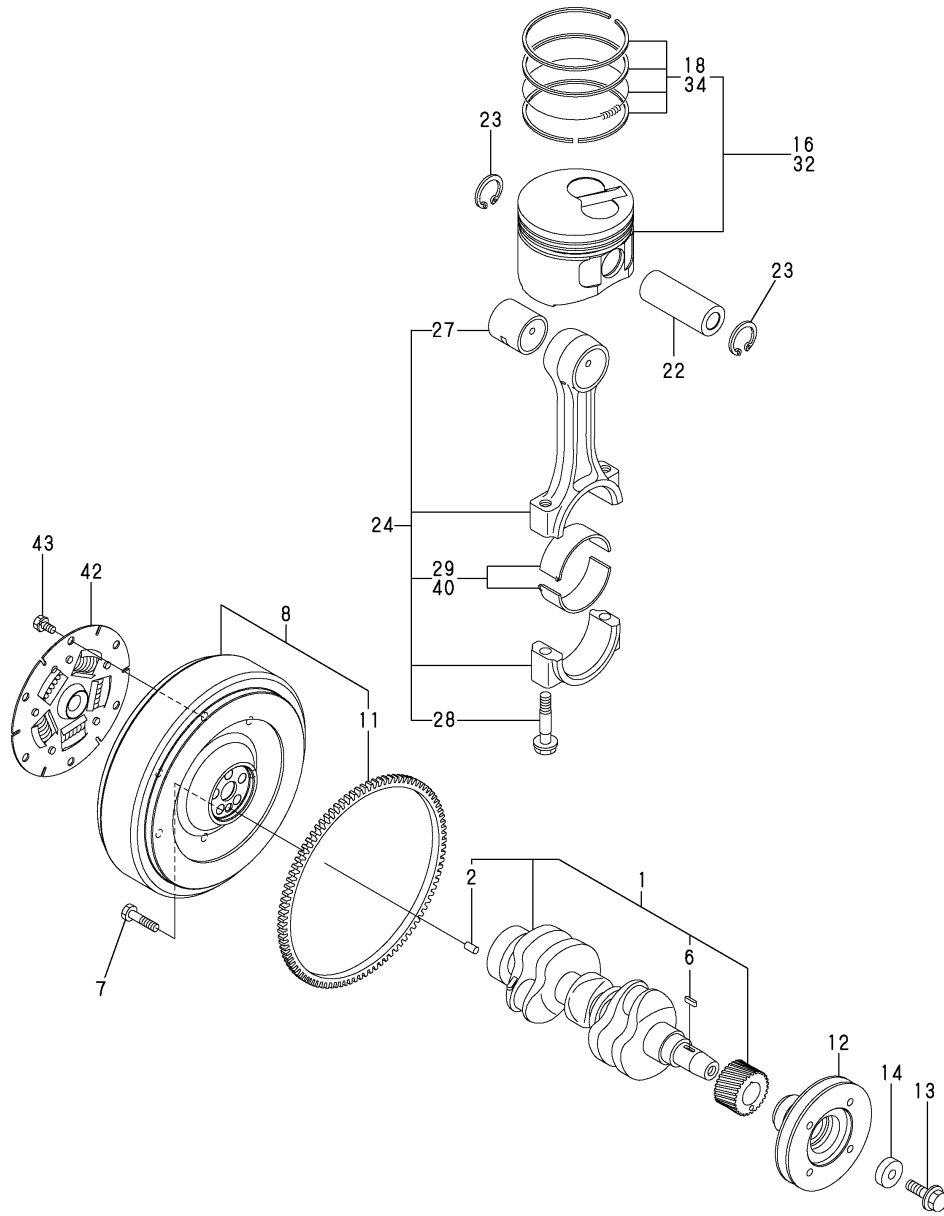
(E)=

(F)=



REF.	LEV.	PARTS NO.	DESCRIPTION	QTY						I	R
				(A)	(B)	(C)	(D)	(E)	(F)		
1	1	119620-14200	TAPPET	6							
2	1	119717-14400	ROD, PUSH	6							
3	1	119717-14580	CAMSHFT ASSY	1							
9	1	26106-060122	BOLT M 6X 12 PLATED	2							
10	1	119717-25050	SHAFT, IDLE GEAR	1							
11	1	119717-25100	GEAR ASSY, IDLE	1							
14	1	26106-060352	BOLT M 6X 35 PLATED	3							
15	1	129150-25301	BOLT,FI-P	4							
16	1	119717-25930	GEAR, PUMP	1							

Fig.10. CRANKSHAFT & PISTON



(A)=3YM30

(B)=

(C)=

(D)=

(E)=

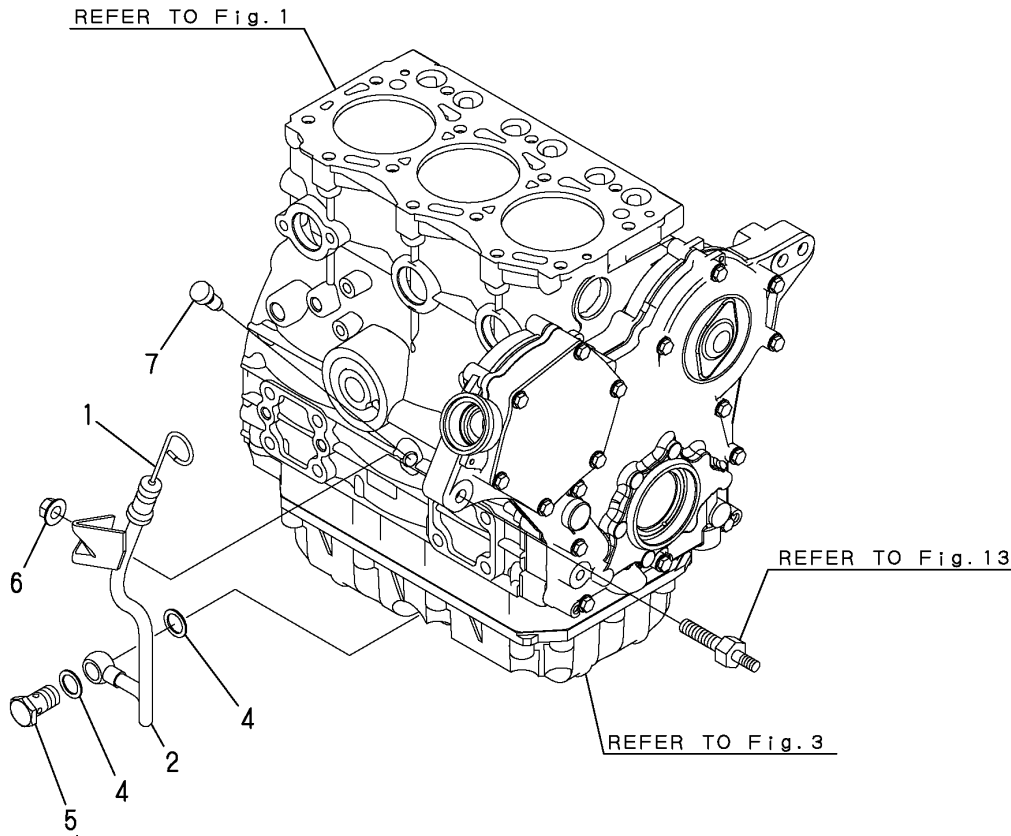
(F)=

REF.	LEV.	PARTS NO.	DESCRIPTION	QTY						I	R
				(A)	(B)	(C)	(D)	(E)	(F)		
1	1	119717-21700	CRANKSHAFT ASSY	1							
2	2	129100-01580	PARALLEL PIN 8X16	1							
6	2	22512-040120	KEY 4X 12	1							
7	1	121111-21501	BOLT, FLYWHEEL	5							
8	1	128990-21590	FLYWHEEL ASSY	1							
11	2	124950-21600	GEAR, RING	1							
12	1	128990-21650	V-PULLEY, CRANKSHAFT	1							
13	1	119621-21680	BOLT M12X1.25,FLANGE	1							
14	1	119620-21941	WASHER	1							
16	1	119718-22080	PISTON ASSY	3							
18	2	119717-22500	RING SET	3							
22	1	119717-22300	PIN, PISTON	3							
23	1	22252-000220	CIRCLIP 22	6							
24	1	119717-23000	ROD ASSY, CONNECTING	3							
27	2	119717-23910	BUSH, PISTON PIN	3							1
28	2	119717-23200	BOLT, CONNECTING ROD	6							
29	2	119717-23600	METAL ASSY,CRANK PIN	3							
32	1	119718-22090	PISTON W/RING	3							2
34	2	119717-22550	RING SET, 0.25 OS	3							2
40	1	119717-23610	BEARING,PIN US=0.25	3							3
42	1	177070-03501	DISK (NON-ASB.)	1							
43	1	26013-080142	BOLT M 8X 14	6							

Remarks

- (1)REPAIR PART.
- (2)OVER SIZED(O.S.=0.25)PART.
- (3)UNDER SIZED(U.S.=0.25)PART.

Fig.11. LUB.OIL DIPSTICK



(A)=3YM30
(B)=
(C)=

(D)=
(E)=
(F)=

REF.	LEV.	PARTS NO.	DESCRIPTION	Q'TY						I	R
				(A)	(B)	(C)	(D)	(E)	(F)		
1	1	128990-34850	DIPSTICK, LUB.OIL	1							
2	1	128990-34860	GUIDE, DIPSTICK	1							
4	1	22190-160002	SEAL WASHER 16S	2							
5	1	23857-100000	JOINT BOLT 10	1							
6	1	26366-100002	NUT M10	1							
7	1	124976-34850	CAP	1							

Fig.12. LUB.OIL SYSTEM

(A)=3YM30

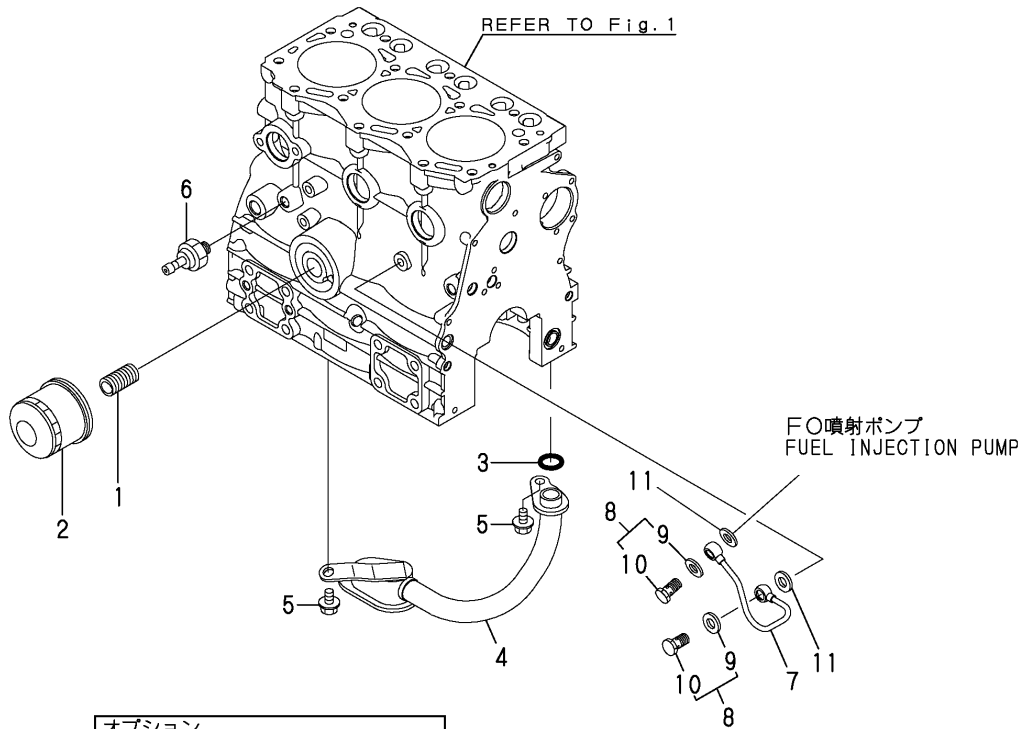
(B)=

(C)=

(D)=

(E)=

(F)=



REF.	LEV.	PARTS NO.	DESCRIPTION	QTY						I	R
				(A)	(B)	(C)	(D)	(E)	(F)		
1	1	129100-35140	STUD	1							
2	1	119305-35150	FILTER, LUB. OIL	1							
3	1	119717-32060	O-RING, P15.0	1							
4	1	128990-35080	PIPE ASSY, LUB.OIL	1							
5	1	26106-060102	BOLT 6X 10 PLATED	2							
6	1	114250-39450	SWITCH,(0.5KG)L.O.	1							
7	1	119717-39210	PIPE ASSY, HYDRAULIC	1							
8	1	129005-59830	BOLT ASSY, JOINT	2							
9	2	22190-080002	SEAL WASHER 8S	2							
10	2	23857-030000	JOINT BOLT 3	2							
11	1	22190-080002	SEAL WASHER 8S	2							
12	1	128275-39710	PIPE, LUB OIL	1							
13	1	23080-018000	CLAMP 18	3							
14	1	28210-000080	PUMP	1							

Fig.13. COOLING SEA WATER PUMP

(A)=3YM30

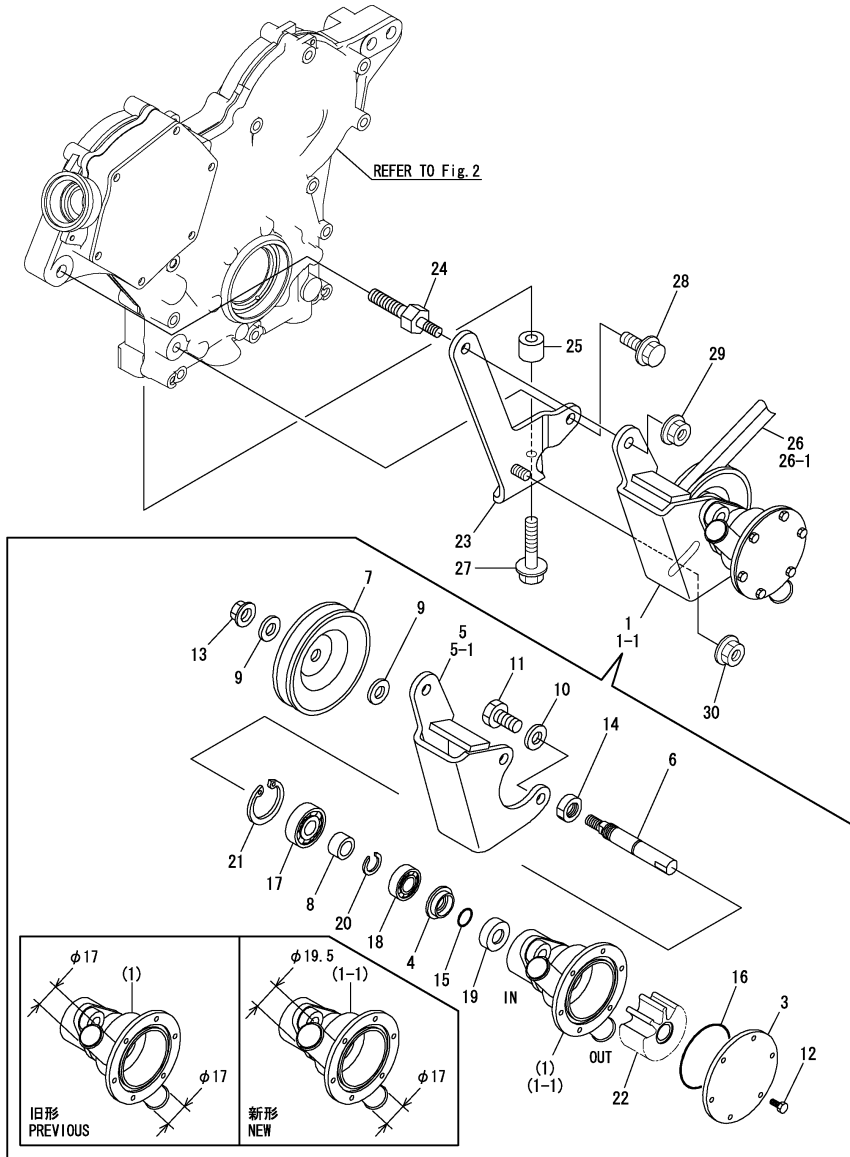
(B)=

(C)=

(D)=

(E)=

(F)=

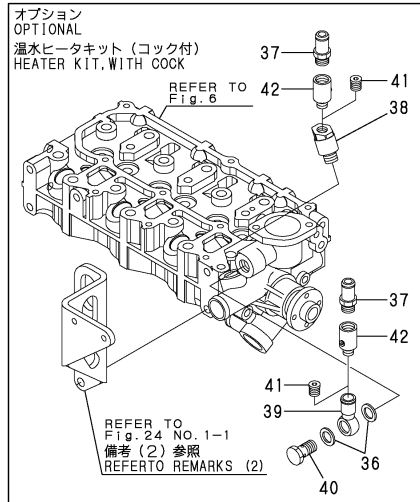
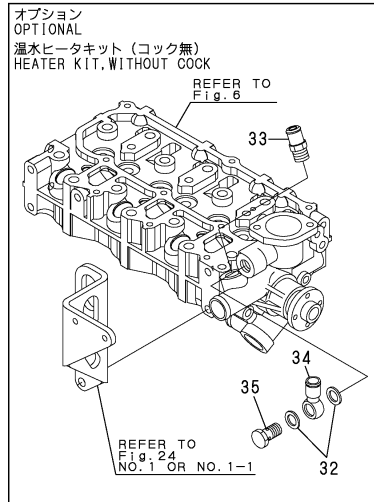
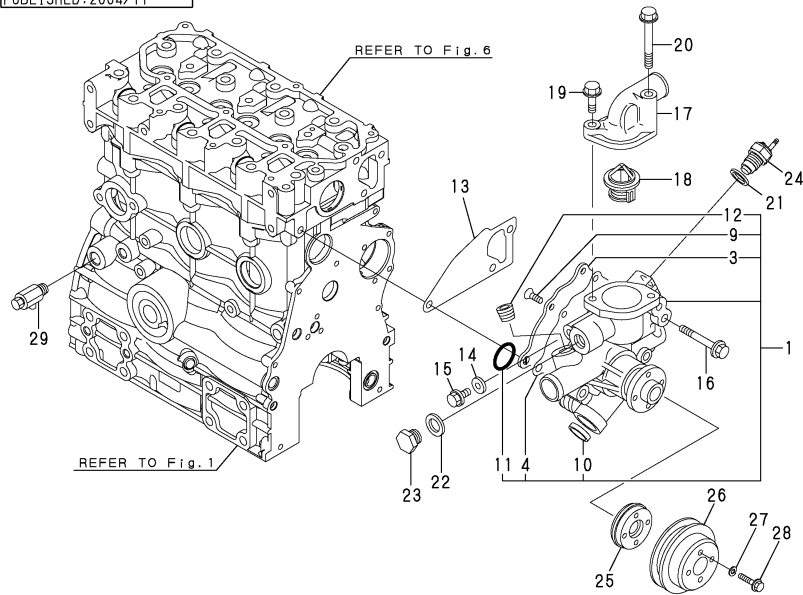


REF.	LEV.	PARTS NO.	DESCRIPTION	QTY						I	R
				(A)	(B)	(C)	(D)	(E)	(F)		
1	1	128990-42500	CSW-P CMP	1							
1-1	1	128990-42510	CSW-P CMP	1							S 2
(A=*2009.02)											
3	2	X0142398	COVER	1							
4	2	X0145050	PLATE	1							
5	2	128990-42150	BRACKET A,CSW-P	1							
5-1	2	128990-42151	BRACKET A,CSW-P	1							F 1
(A=E/#E01733)											
6	2	X0146541	SHAFT	1							
7	2	124070-42400	V-PULLEY, C.W. PUMP	1							
8	2	X0146542	SPACER	1							
9	2	X014678901	WASHER	2							
10	2	X00353309	WASHER	2							
11	2	X00141916	SCREW	2							
12	2	128990-42520	SCREW	6							
13	2	X00190050	LOCK NUT	1							
14	2	X00183200	NUT	1							
15	2	X02173432	O-RING	1							
16	2	X02173476	O-RING	1							
17	2	X03431760	BALL BEARING	1							
18	2	X03431748	BALL BEARING	1							
19	2	X02233010	RIP SEAL	1							
20	2	X00370012	RETAINING RING	1							
21	2	X00371732	RETAINING RING	1							
22	2	128397-42200	IMPELLER	1							
22-1	2	128990-42200	IMPELLER, C. WATER	1							R
(A=*2004.05)											
23	1	128990-42160	BRACKET B,CSW-P	1							
24	1	128990-42170	BOLT,CSW-P SPACER	1							
25	1	128990-42180	COLLAR	1							
26	1	128990-77350	V BELT M20	1							
26-1	1	104511-78780	V-BELT, M19	1							F 1
(A=E/#E01733)											
27	1	26106-060302	BOLT M 6X 30 PLATED	1							
28	1	26106-080202	BOLT M 8X 20 PLATED	1							
29	1	26366-080002	NUT M 8	1							
30	1	26366-080002	NUT M 8	1							

Remarks
 (1)INTERCHANGEABLE BY SIMULTANEOUS REPLACEMENT WITH REF.NO.5-1,26-1.
 (2)INTERCHANGEABLE BY SIMULTANEOUS REPLACEMENT WITH LOALARRANGEMENTS PUMP ENTRANCE HOSE..(57MM-68MM)

Fig.14. COOLING FRESH WATER PUMP

P/C NEWS No:Y00R5600-3
PUBLISHED:2004/11



Remarks

(1)HEATER KIT, WITHOUT COCK ASSY.
(2)HEATER KIT, WITH COCK ASSY.
TO AVOID THE INTERFERENCE BETWEEN
THE JOINT AND LIFTING HOOK.
IN USE OF FIG.24 NO.1, PLEASE
EXCHANGE FOR NO.1-1.

(A)=3YM30

(B)=

(C)=

(D)=

(E)=

(F)=

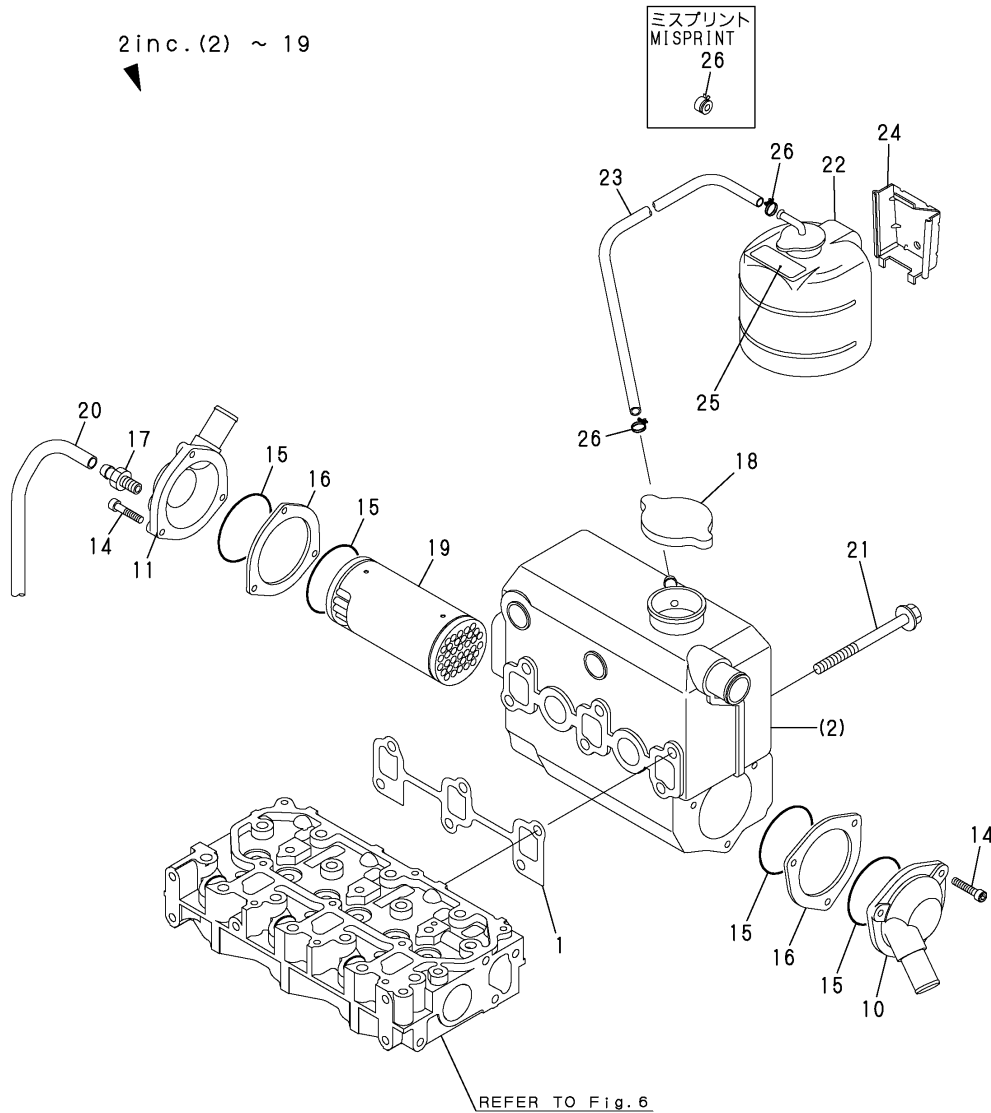
REF.	LEV.	PARTS NO.	DESCRIPTION	QTY						I	R
				(A)	(B)	(C)	(D)	(E)	(F)		
1	1	119717-42002	PUMP ASSY, C.W.	1							
3	2	119717-42041	COVER	1							
4	2	119717-42031	GASKET	1							
9	2	26577-060122	SCREW M 6X 12	4							
10	2	27241-250000	PLUG 25	1							
11	2	119717-42320	O-RING	1							
12	2	129916-49740	PLUG, DRAIN R03	1							
13	1	119717-42020	GASKET, WATER PUMP	1							
14	1	23414-080000	GASKET 8, ROUND	1							
15	1	26106-080122	BOLT M 8X 12 PLATED	1							
16	1	26106-080502	BOLT M 8X 50 PLATED	3							
17	1	124101-49530	COVER, THERMOSTAT	1							
18	1	128990-49800	THERMOSTAT, 71	1							
19	1	26106-080252	BOLT M 8X 25 PLATED	1							
20	1	26106-080652	BOLT M 8X 65 PLATED	1							
21	1	124465-44950	GASKET 16	1							
22	1	124465-44950	GASKET 16	1							
23	1	23887-160002	PLUG 16,HEX.	1							
24	1	46150-503100	SWITCH, THERMO 95	1							
25	1	128990-42260	SPACER,CFW-P	1							
26	1	119740-42350	V-PULLEY, C.W.PUMP	1							
27	1	22217-060000	SPRING WASHER 6	4							
28	1	26106-060282	BOLT M 6X 28 PLATED	4							
29	1	119620-49290	COCK ASSY 1/4	1							
I	32	1	124465-44950	GASKET 16	2						1
I	33	1	128990-49320	JOINT 3/8 OUT	1						1
I	34	1	128990-49330	JOINT OUT	1						1
I	35	1	23854-100000	JOINT BOLT 10	1						1
I	36	1	124465-44950	GASKET 16	2						W 2
			(A=*2004.11)								
I	37	1	128990-49320	JOINT 3/8 OUT	2						W 2
			(A=*2004.11)								
I	38	1	128990-49350	JOINT,3/8X1/4 RETURN	1						W 2
			(A=*2004.11)								
I	39	1	128990-49360	JOINT,OUT RP1/4	1						W 2
			(A=*2004.11)								
I	40	1	128990-49370	BOLT,PIPE JOINT	1						W 2
			(A=*2004.11)								
I	41	1	128990-49380	PLUG R1/4	2						W 2
			(A=*2004.11)								
I	42	1	128990-49390	COCK CMP,R1/4XRP3/8	2						W 2
			(A=*2004.11)								

Fig.15. COOLING FRESH WATER COOLER

P/C NEWS No: Y00R5600-1
PUBLISHED: 2003/9

2inc.(2) ~ 19

ミスプリント
MISPRINT
26



(A)=3YM30

(B)=

(C)=

(D)=

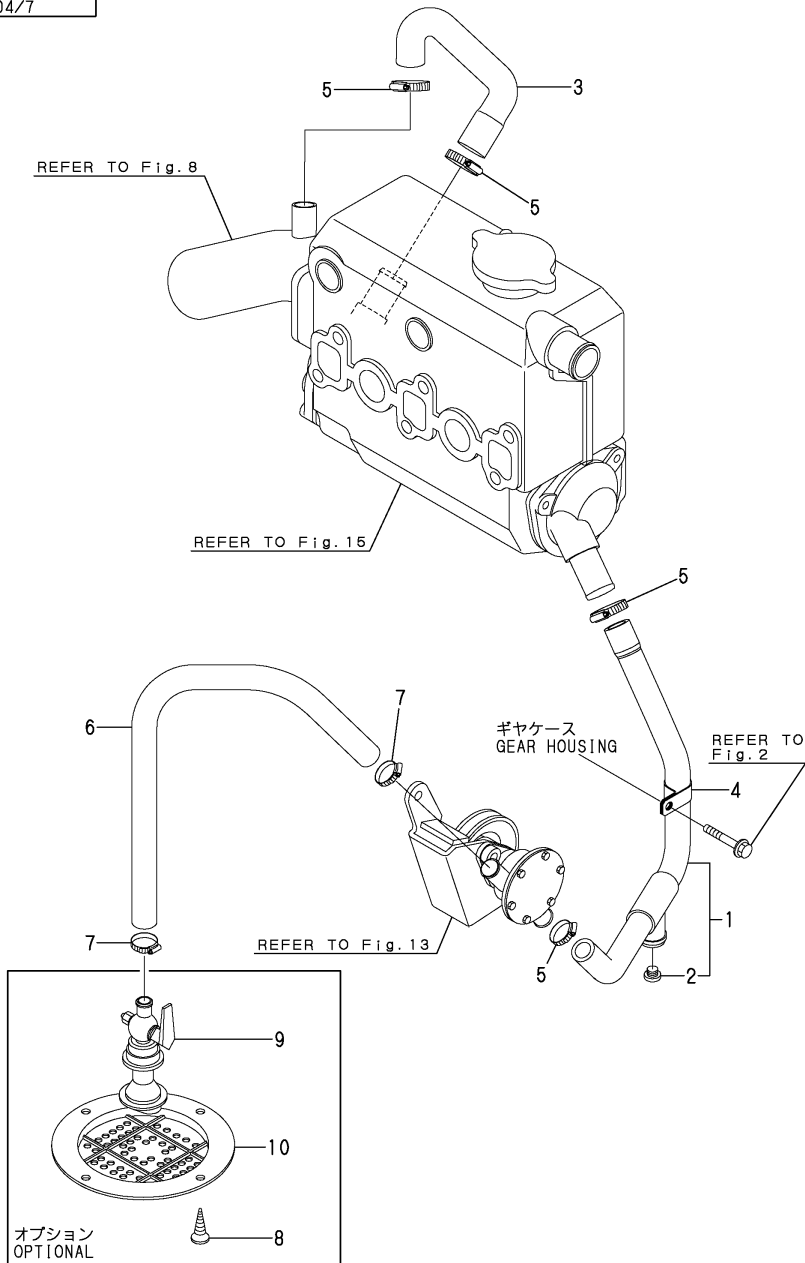
(E)=

(F)=

REF.	LEV.	PARTS NO.	DESCRIPTION	Q'TY						I	R
				(A)	(B)	(C)	(D)	(E)	(F)		
1	1	119717-13110	GASKET, MANIFOLD	1							
2	1	128990-44900	EXCHANGER ASSY, HEAT	1							
7	3	129673-44110	FILLER NECK	1							
9	3	129673-44150	TUBE D28.5X1.5 LG6	1							
10	2	128990-44070	BONNET INLET	1							
11	2	128990-44080	BONNET OUTLET ASSY	1							
14	2	128990-44090	SCREW CHC M6X30	6							
15	2	128990-44100	O RING D65.6 X 3.53	4							
16	2	128990-44110	SPACER	2							
17	2	128990-44120	DRAIN PLUG	1							
18	2	128990-44130	CAP 0.95 BAR	1							
19	2	128990-44400	MOTA ELEMENT	1							
20	1	23061-070300	PIPE 7X 300	1							
21	1	26106-081152	BOLT M 8X115 PLATED	6							
22	1	128397-44500	TANK ASSY, RESERVE	1							
23	1	129270-44500	PIPE OVER FLOW	1							
24	1	128397-44510	BRACKET, SUB-TANK	1							
25	1	129670-44570	LABEL	1							
26	1	23010-013000	CLAMP 13	2							

Fig.16. COOLING SEA WATER PIPE

P/C NEWS No:Y00R5600-2
PUBLISHED:2004/7



(A)=3YM30

(B)=

(C)=

(D)=

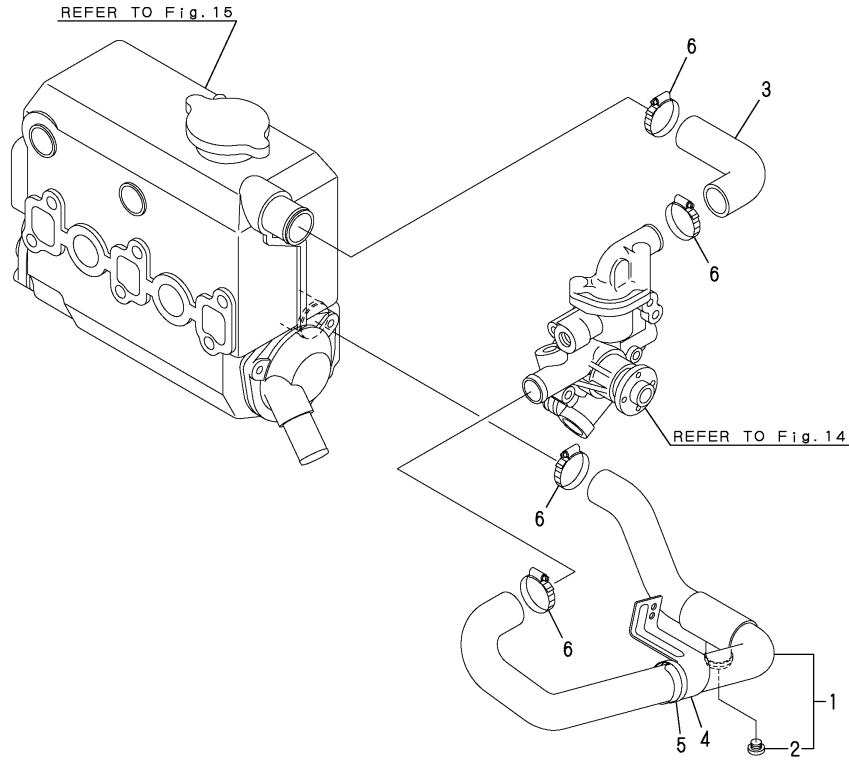
(E)=

(F)=

REF.	LEV.	PARTS NO.	DESCRIPTION	QTY						I	R
				(A)	(B)	(C)	(D)	(E)	(F)		
1	1	128990-49010	PIPE A,CSW	1							
I	2	128990-49110	DRAIN PLUG,G1/8	1							
3	1	128990-49020	PIPE B,CSW	1							
4	1	121575-49310	CLAMP	1							
5	1	23000-028000	CLAMP 28	4							
6	1	124223-49050	PIPE, COOLING WATER	1							
7	1	23000-025000	CLAMP 25	2							
8	1	22724-800380	SCREW 8X 38	4							
9	1	43662-015020	COCK ASSY, SEA WATER	1							
10	1	43666-020951	COVER, STRAINER	1							

Fig.17. COOLING FRESH WATER PIPE

P/C NEWS No:Y00R5600-2
PUBLISHED:2004/7



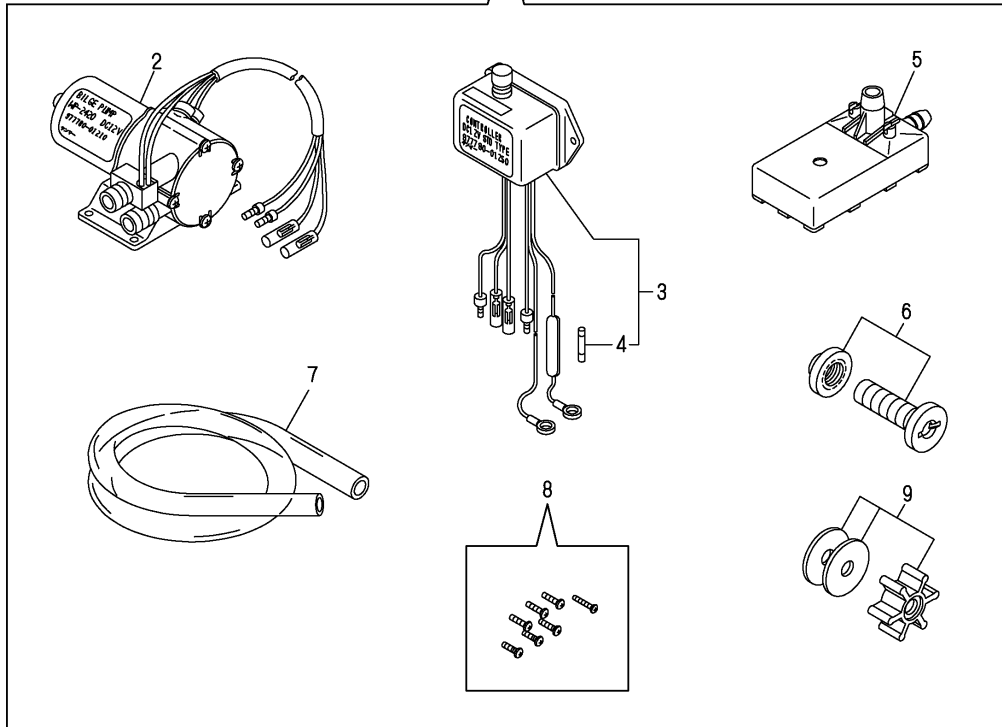
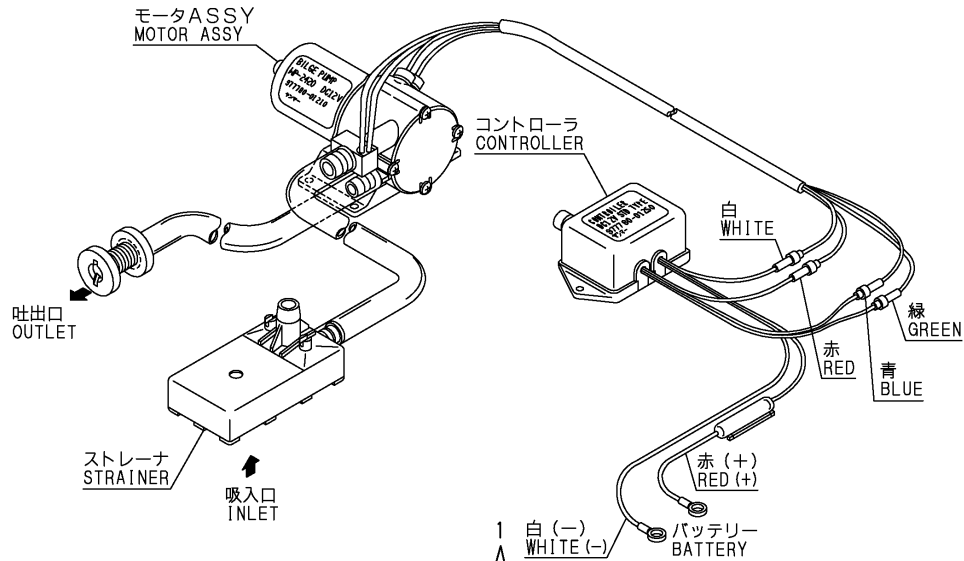
OCR10-G56000 17. COOLING FRESH WATER PIPE

(A)=3YM30
(B)=
(C)=

(D)=
(E)=
(F)=

REF.	LEV.	PARTS NO.	DESCRIPTION	Q'TY						I	R	
				(A)	(B)	(C)	(D)	(E)	(F)			
	1	128990-49050	PIPE A,CFW	1								
I	2	128990-49110	DRAIN PLUG,G1/8	1								
	3	128990-49060	PIPE B,CFW	1								
I	3-1	128990-49070 (A=*2004.06)	PIPE B,CFW	1								R
	4	128990-49150	RETAINER,CFW-T	1								
	5	194250-51660	BAND 250	1								
	6	23000-041000	CLAMP 41	4								

Fig.18. BILGE PUMP(STD/OPTIONAL)



(A)=3YM30

(B)=

(C)=

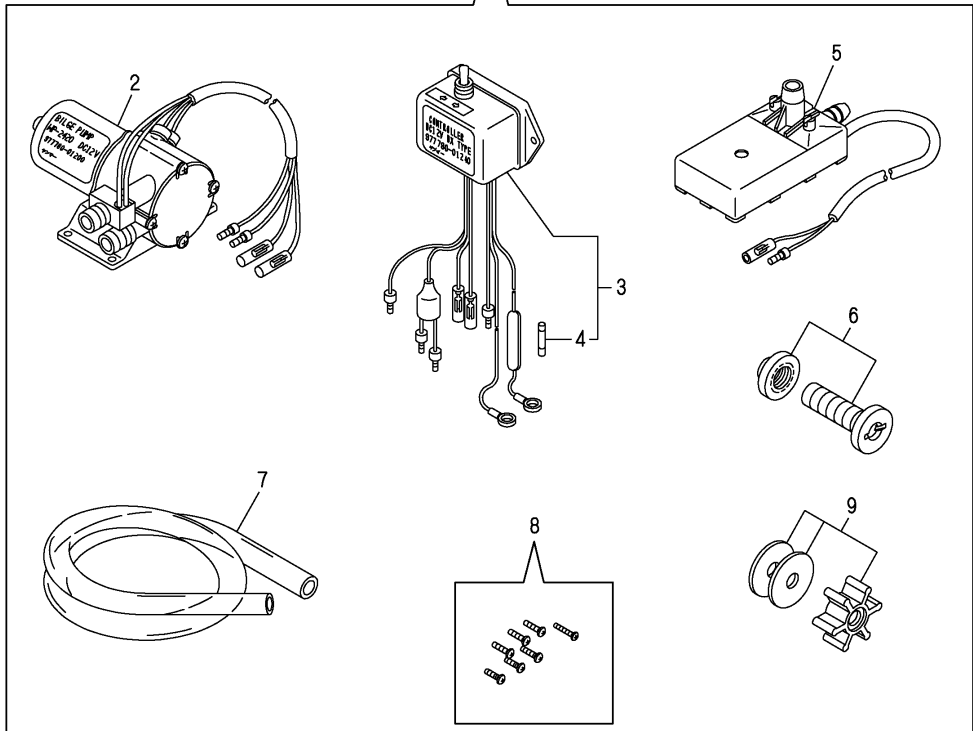
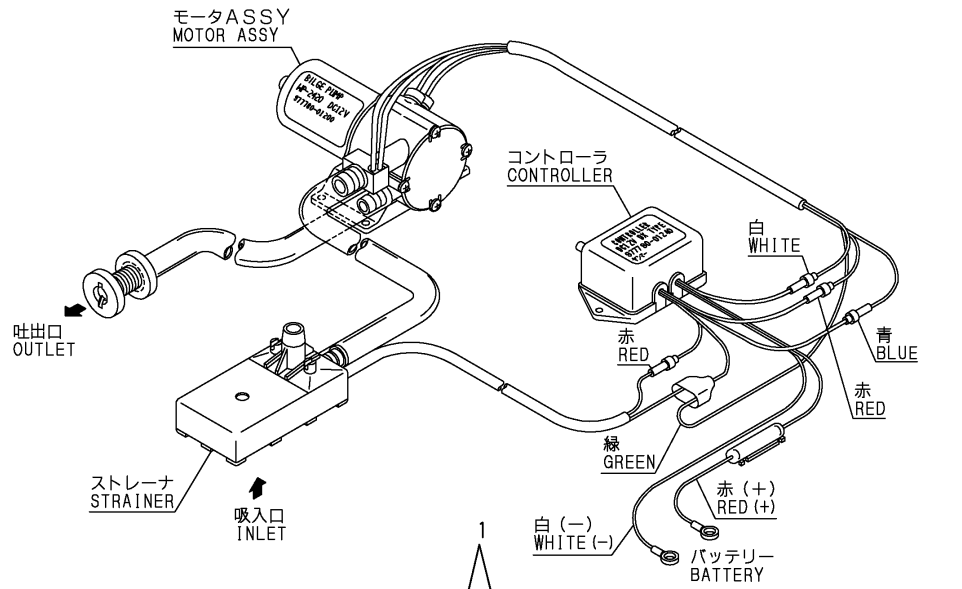
(D)=

(E)=

(F)=

REF.	LEV.	PARTS NO.	DESCRIPTION	QTY						I	R
				(A)	(B)	(C)	(D)	(E)	(F)		
1	1	977780-01210	PUMP(12V).BILGE	1							
2	2	977780-01230	MOTOR ASSY(BILG PUMP	1							
3	2	977780-01250	CONTROLLER	1							
4	3	X8636008003	FUSE	1							
5	2	X179100021X	STRAINER	1							
6	2	X179100100X	PIPE ASSY	1							
7	2	X0044021509	HOSE A	1							
8	2	X199903800X	SCREW KIT	1							
9	2	977780-03000	INPELLER	1							

Fig.19. BILGE PUMP(DX/OPTIONAL)



(A)=3YM30

(B)=

(C)=

(D)=

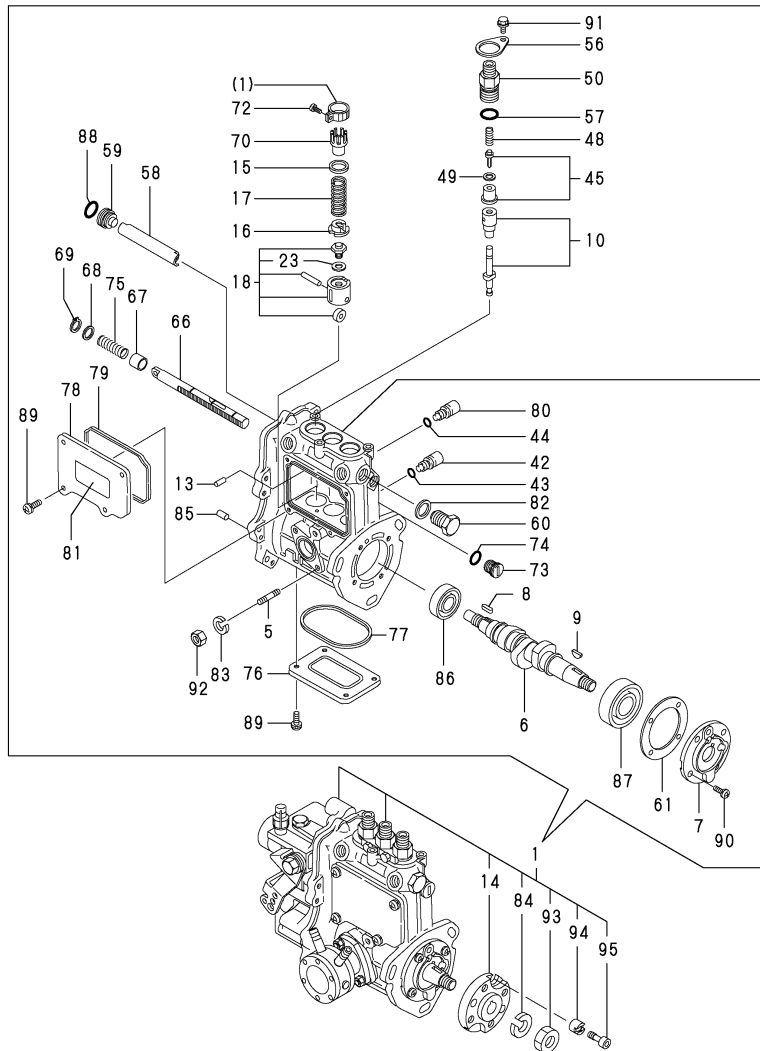
(E)=

(F)=

REF.	LEV.	PARTS NO.	DESCRIPTION	Q'TY						I	R
				(A)	(B)	(C)	(D)	(E)	(F)		
1	1	977780-01200	PUMP(12V).BILGE	1							
2	2	977780-01230	MOTOR ASSY(BILG PUMP)	1							
3	2	977780-01240	CONTROLLER	1							
4	3	X8636008003	FUSE	1							
5	2	X179100011X	STRAINER	1							
6	2	X179100100X	PIPE ASSY	1							
7	2	X0044021509	HOSE A	1							
8	2	X199903800X	SCREW KIT	1							
9	2	977780-03000	INPELLER	1							

Fig.20. FUEL INJECTION PUMP

P/C NEWS No:Y00R5600-6
PUBLISHED:2008/5



Remarks
(1)GOVERNOR(FIG.21)AND FUEL FEED PUMP (FIG.22) IS INCORPORATED IN THIS FUEL INJECTION PUMP(REF.NO.1).
(2)INTERCHANGEABLE BY SIMULTANEOUS REPLACEMENT WITH REF.NO.45-1,50-1.

OCR10-G56000 20. FUEL INJECTION PUMP

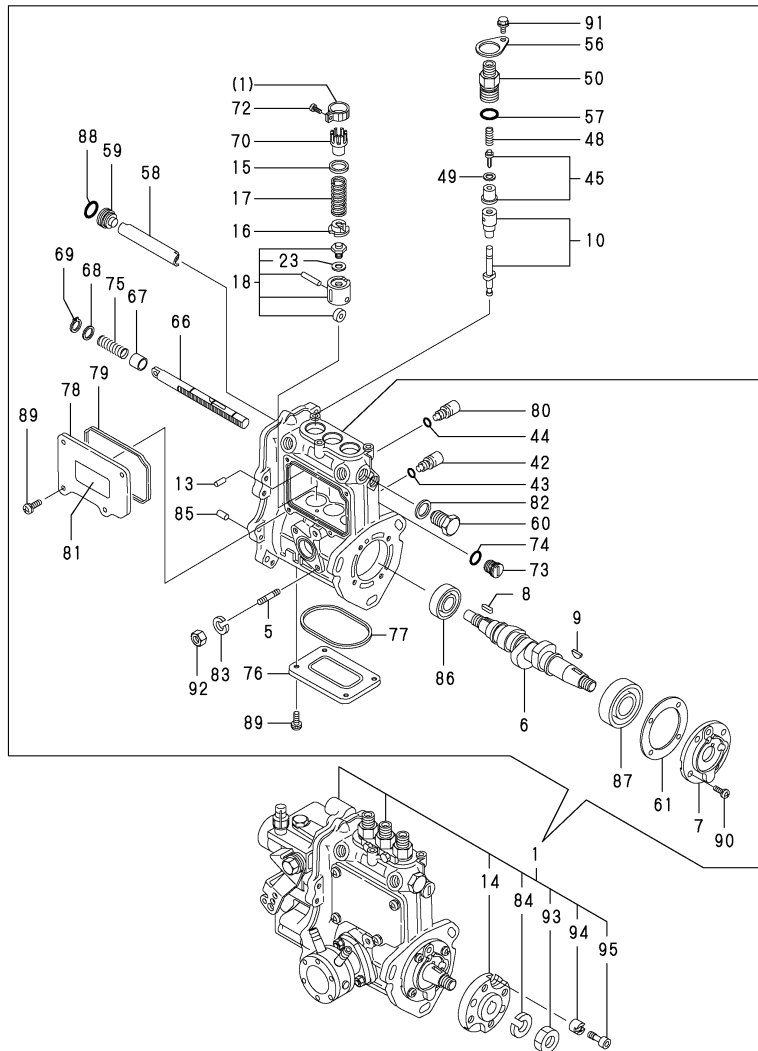
(A)=3YM30
(B)=
(C)=

(D)=
(E)=
(F)=

REF.	LEV.	PARTS NO.	DESCRIPTION	Q'TY						I	R
				(A)	(B)	(C)	(D)	(E)	(F)		
1	1	728990-51350	FIE ASSY, 3YM30	1							1
5	2	129155-51020	STUD, FEED PUMP	2							
6	2	119717-51030	CAMSHAFT	1							
7	2	119717-51060	SUPPORT, BEARING	1							
8	2	119717-51070	PARALLEL PIN	1							
9	2	122710-51090	KEY	1							
10	2	119740-51100	PLUNGER ASSY	3							
13	2	129155-51140	PIN, BARREL LOCKING	3							
14	2	119717-51150	FLANGE	1							
15	2	158600-51170	SEAT SPRING	3							
16	2	119717-51180	RETAINER, SPRING	3							
I 16-1	2	119717-51570	RETAINER, SPRING	3							R
(A=*2005.11)											
17	2	119717-51190	SPRING, PLUNGER	3							
18	2	119717-51200	TAPPET ASSY	3							
18-1	2	128990-51200	TAPPET ASSY	3							N
(A=*2003.08)											
23	3	129155-51600	SHIM PACK	3							
42	2	158600-51270	STOPPER	3							
43	2	129155-51280	O-RING S6	3							
44	2	129155-51280	O-RING S6	1							
45	2	128990-51190	VALVE ASSY, DELIVERY	3							
I 45-1	2	128990-51300	VALVE ASSY, DELIVERY	3							S 2
(A=*2004.01)											
48	2	128990-51330	SPRING, DELIVERY	3							
49	2	124550-51350	GASKET, DELIVERY	3							
50	2	158600-51340	VALVE ASSY, DELIVERY	3							
I 50-1	2	158600-51440	VALVE ASSY, DELIVERY	3							S 2
(A=*2004.01)											
I 50-2	2	158600-51441	VALVE ASSY, DELIVERY	3							N 2
(A=*2004.07)											
I 50-3	2	158600-51442	VALVE ASSY, DELIVERY	3							N 2
(A=*2005.09)											
56	2	118400-51370	LOCKING	3							
57	2	24316-000150	O-RING 4D P15	3							
58	2	129155-51400	DEFLECTOR	1							
59	2	158600-51410	PLUG	1							
60	2	158600-51420	PLUG	1							
61	2	129155-51450	SHIM SET, ADJUSTING	1							
66	2	119717-51500	RACK, CONTROL	1							
67	2	129155-51521	BUSH, RACK	1							
68	2	129155-51530	SPACER, AUX. SPRING	1							
69	2	129155-51540	CIRCLIP	1							
70	2	129155-51550	PINION, CONTROL	3							
72	2	129100-51570	SCREW	3							
73	2	158600-51570	PLUG	1							
74	2	129155-51580	O-RING	1							
75	2	129155-51591	SPRING, RACK	1							
76	2	129155-51701	COVER	1							
77	2	119717-51710	PACKING	1							
I 77-1	2	119717-51711	PACKING	1							N

Fig.20. FUEL INJECTION PUMP

P/C NEWS No:Y00R5600-6
PUBLISHED:2008/5



Remarks

(1)GOVERNOR(FIG.21)AND FUEL FEED PUMP (FIG.22) IS INCORPORATED IN THIS FUEL INJECTION PUMP(REF.NO.1).
(2)INTERCHANGEABLE BY SIMULTANEOUS REPLACEMENT WITH REF.NO.45-1,50-1.

OCR10-G56000 20. FUEL INJECTION PUMP

(A)=3YM30

(B)=

(C)=

(D)=

(E)=

(F)=

REF.	LEV.	PARTS NO.	DESCRIPTION	QTY						I	R	
				(A)	(B)	(C)	(D)	(E)	(F)			
		(A=*2006.05)										
78	2	119717-51750	COVER, BODY SIDE	1								
79	2	119717-51760	GASKET	1								
I	79-1	2	119717-51761	GASKET	1							N
		(A=*2006.05)										
80	2	158600-51790	GUIDE, RACK	1								
I	81	2	129156-51910	LABEL, CAUTION	1							Z
		(A=*2006.05)										
82	2	22190-160002	SEAL WASHER 16S	1								
83	2	22217-060000	SPRING WASHER 6	2								
84	2	22217-120000	SPRING WASHER 12	1								
85	2	22351-050010	SPRING PIN 5X10	2								
86	2	24101-060034	BALL BEARING	1								
87	2	24101-063034	BALL BEARING	1								
88	2	119717-51420	O-RING	1								
89	2	26022-050122	SCREW M 5X 12	8								
90	2	26022-060162	SCREW M 6X 16	4								
91	2	26106-050102	BOLT M 5X 10 PLATED	3								
92	2	26716-060002	NUT 6	2								
93	2	26716-120002	NUT 12	1								
94	2	119717-51480	COLLAR. FIC FIX	1								
95	2	119717-51490	BOLT, FIXATION	1								

Fig.21. GOVERNOR

(A)=3YM30

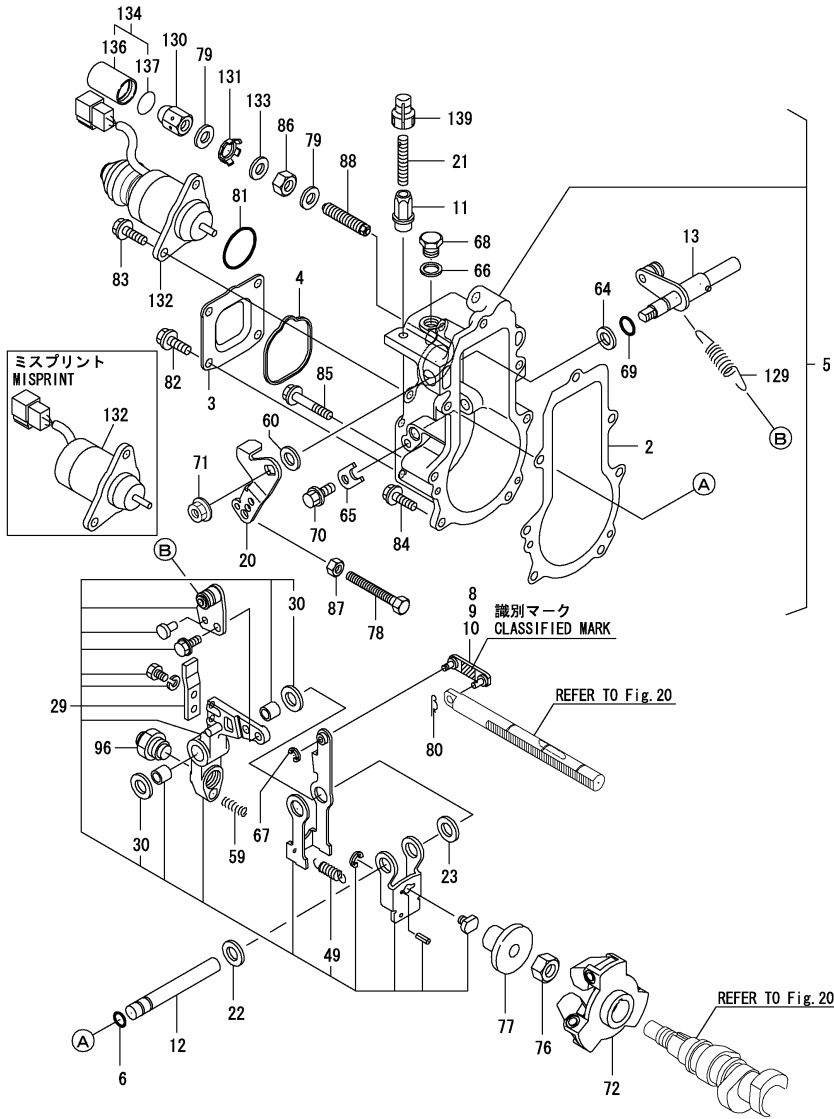
(B)=

(C)=

(D)=

(E)=

(F)=



Remarks

- (1)SELECTIVE PARTS:CERTAIN THE CLASSIFICATION MARK, THEN PLACE YOUR ORDER.(REF.TO.ILLUSTRATION)
- (2)REPAIR PART.

REF.	LEV.	PARTS NO.	DESCRIPTION	Q'TY						I	R
				(A)	(B)	(C)	(D)	(E)	(F)		
2	2	119717-61050	GASKET, CASE	1							
3	2	119717-61060	CASE, GOVERNOR	1							
4	2	119717-61070	GASKET, COVER	1							
5	2	119717-61100	CASE ASSY, GOVERNOR	1							
6	3	129155-51280	O-RING S6	1							
8	3	119717-61120	LINK, L=29.3 :3	1							1
9	3	119717-61130	LINK, L=29.8 :98	1							1
10	3	119717-61140	LINK, L=28.8 :88	1							1
11	3	129209-61370	NUT M6	1							
12	3	129052-61390	SHAFT, GOV. LEVER	1							
13	3	119717-61400	SHAFT ASSY, CONTROL	1							
20	3	119717-61440	LEVER, CONTROL	1							
21	3	129155-61450	BOLT, REVOL. LIMIT	1							
22	3	129156-61460	SHIM T=0.6	1							
23	3	129155-61480	SPACER ASSY	1							
29	3	119717-61500	LEVER ASSY, GOVERNOR	1							
30	4	174307-51700	SHIM SET	2							
49	4	129486-61540	SPRING, SET	1							
59	3	129100-61650	SPRING, FUEL CONTROL	1							
60	3	158552-61700	SHIM ASSY	1							
64	3	158552-61710	SHIM T=1.0	1							
65	3	119660-61901	RETAINER, SHAFT	1							
66	3	22190-100002	SEAL WASHER 10S	1							
67	3	22272-000030	CIRCLIP E- 3	1							
68	3	23887-100002	PLUG 10	1							
69	3	24341-000070	O-RING 1A S-7.0	1							
70	3	26106-060102	BOLT 6X 10 PLATED	1							
71	3	26366-080002	NUT M 8	1							
72	2	119717-61200	WEIGHT ASSY	1							
76	2	119660-61300	NUT, GOVERNOR WEIGHT	1							
77	2	129155-61341	SLEEVE(L=25.5)	1							
78	2	129155-61460	BOLT, IDLE LIMIT	1							
79	2	22190-120002	SEAL WASHER 12	2							
80	2	22372-040000	SNAP PIN 4	1							
81	2	24341-000280	O-RING 1A S-28.0	1							
81-1	2	158552-61900	O-RING	1							N
(A=EXXXXX)											
82	2	26106-060102	BOLT 6X 10 PLATED	4							
83	2	26106-060142	BOLT M 6X 14 PLATED	2							
84	2	26106-060202	BOLT M 6X 20 PLATED	4							
85	2	26106-060452	BOLT M 6X 45 PLATED	3							
86	2	26736-120002	NUT M12	1							
87	2	26756-060002	LOCK NUT 6	1							
88	2	158601-61760	LIMITER ASSY, FUEL	1							
96	2	128990-61560	ANGLEICH ASSY	1							
129	2	129100-61730	SPRING	1							
129-1	2	119527-61700	SPRING, GOVERNOR	1							N
(A=*2007.04)											
130	2	129209-61930	CAP NUT	1							
131	2	129209-61970	PLATE	1							
132	2	129271-77950	SOLENOID, STOP	1							

Fig.21. GOVERNOR

(A)=3YM30

(B)=

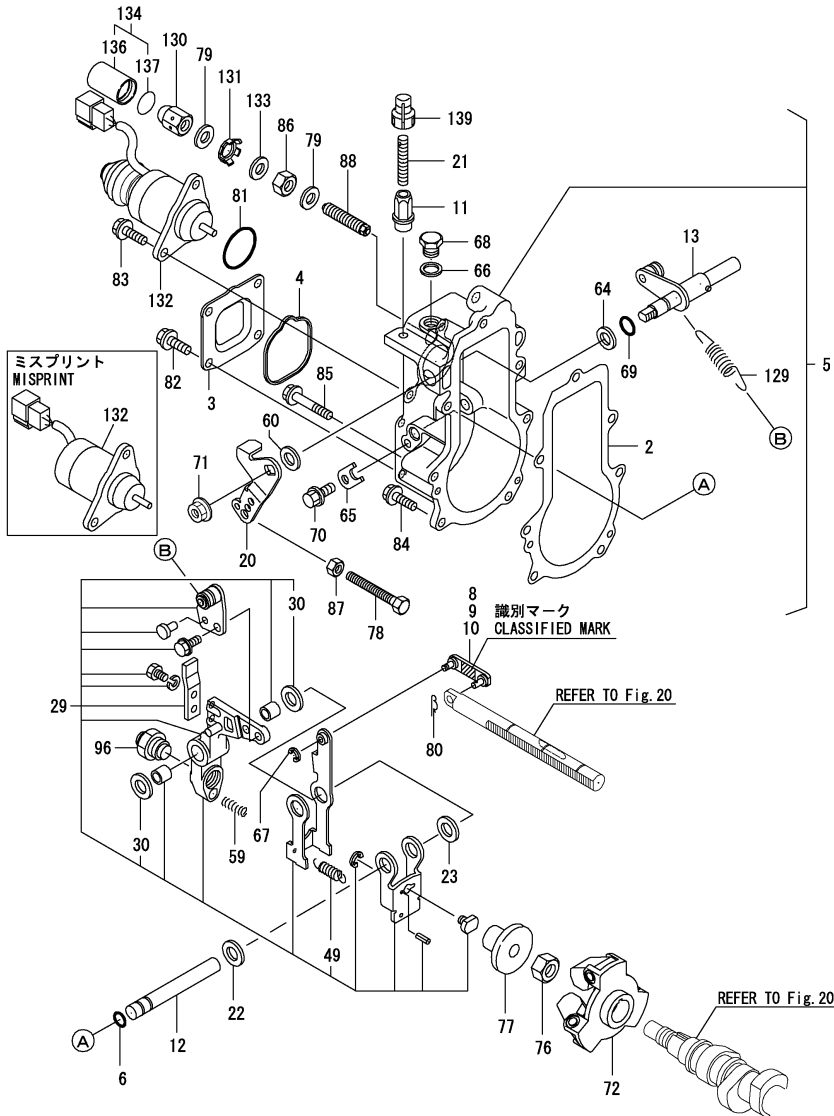
(C)=

(D)=

(E)=

(F)=

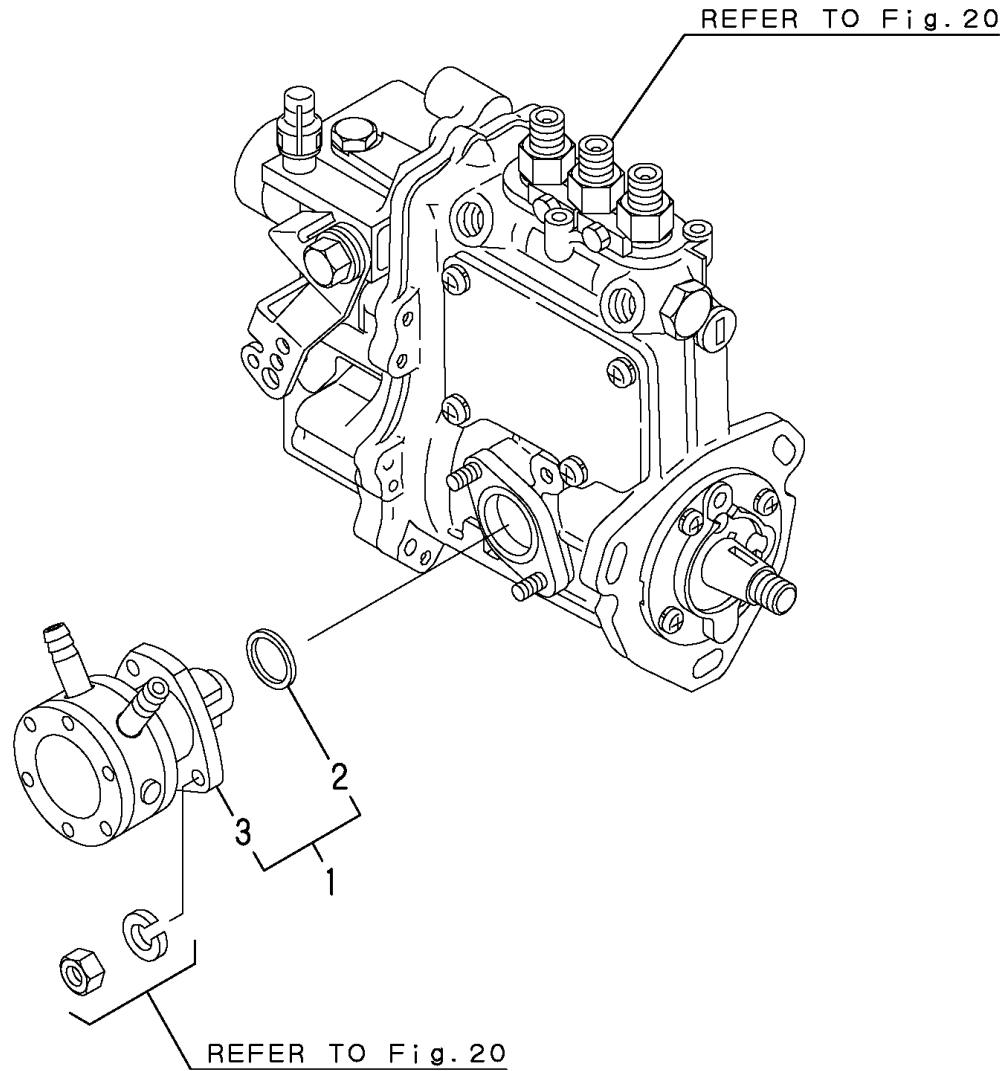
REF.	LEV.	PARTS NO.	DESCRIPTION	QTY						I	R
				(A)	(B)	(C)	(D)	(E)	(F)		
133	2	23414-120016	GASKET 12	1							
134	1	129209-61940	CASE ASSY	1							
136	2	129209-61960	CASE	1							2
137	2	24311-000150	O-RING 1A P-15.0	1							
139	1	119285-66650	CAP, HIGH-IDLE	1							2



Remarks

- (1)SELECTIVE PARTS:CERTAIN THE CLASSIFICATION MARK, THEN PLACE YOUR ORDER.(REF.TO.ILLUSTRATION)
- (2)REPAIR PART.

Fig.22. FUEL FEED PUMP



OCR10-G56000 22. FUEL FEED PUMP

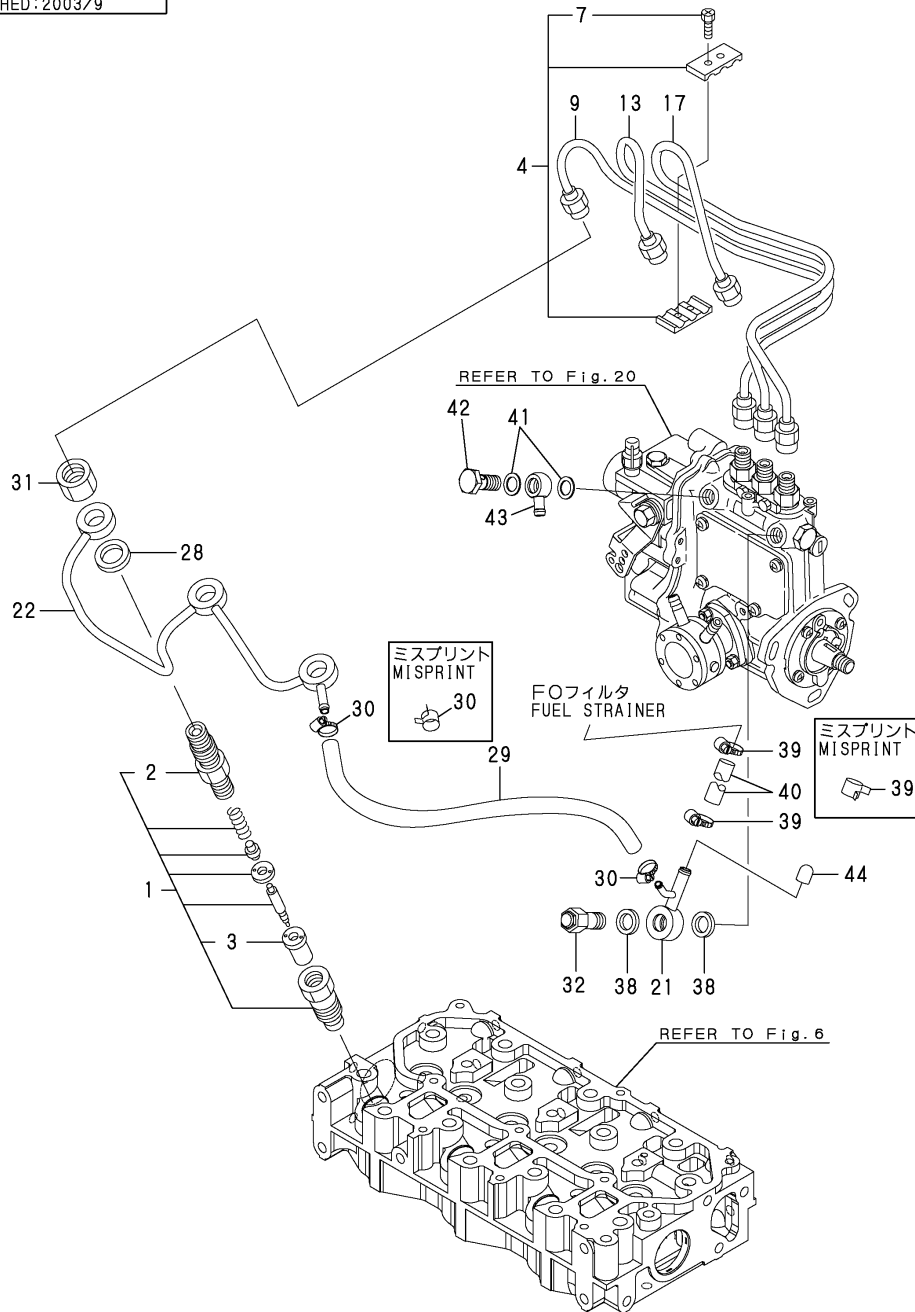
(A)=3YM30
(B)=
(C)=

(D)=
(E)=
(F)=

REF.	LEV.	PARTS NO.	DESCRIPTION	QTY						I	R	
				(A)	(B)	(C)	(D)	(E)	(F)			
1	2	129158-52000	FUEL PUMP ASSY	1								
2	3	129155-52051	GASKET	1								
3	3	129158-52100	FEED PUMP ASSY	1								

Fig.23. FUEL INJECTION VALVE

P/C NEWS No:Y00R5600-1
PUBLISHED:2003/9



(A)=3YM30

(B)=

(C)=

(D)=

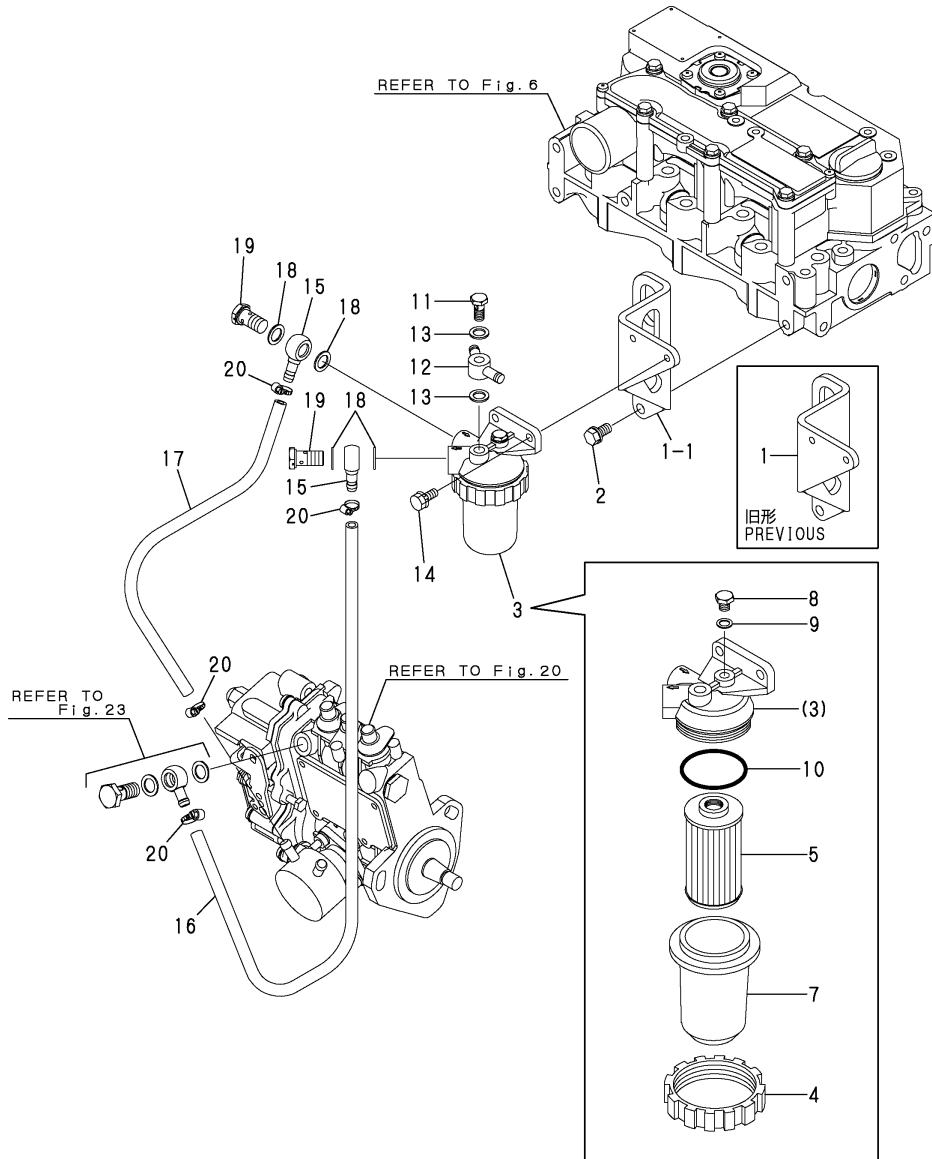
(E)=

(F)=

REF.	LEV.	PARTS NO.	DESCRIPTION	QTY						I	R
				(A)	(B)	(C)	(D)	(E)	(F)		
1	1	119515-53000	VALVE ASSY,INJECTION	3							
2	2	118200-53010	HOLDER, NOZZLE	3							
3	2	119515-53010	NOZZLE ASSY	3							
4	1	129150-59120	RETAINER, INJ. PIPE	1							
7	2	129150-59131	BOLT M4X14,HEX.SCKT.	2							
9	1	119717-59810	PIPE, FUEL INJECTION	1							
13	1	119717-59820	PIPE, FUEL INJECTION	1							
17	1	119717-59830	PIPE, FUEL INJECTION	1							
21	1	119840-59570	JOINT	1							
22	1	119717-59510	PIPE ASSY, RETURN	1							
28	1	129901-59560	GASKET, RETURN	3							
29	1	119773-59511	PIPE,FUEL	1							
30	1	23000-016000	CLAMP 16	2							
31	1	119620-59700	NUT	3							
32	1	119813-59950	VALVE ASSY, CHECK	1							
38	1	22190-120002	SEAL WASHER 12	2							
39	1	23000-016000	CLAMP 16	2							
40	1	128370-59040	PIPE, FUEL OIL	1							
41	1	22190-120002	SEAL WASHER 12	2							
42	1	103854-39140	BOLT, PIPE JOINT	1							
43	1	101304-59020	JOINT 12, PIPE	1							
44	1	119309-59590	CAP 4.2	4							

Fig.24. FUEL PIPE & FUEL STRAINER

P/C NEWS No:Y00R5600-3
PUBLISHED:2004/11



OCR10-G56000 24. FUEL PIPE & FUEL STRAINER

(A)=3YM30

(B)=

(C)=

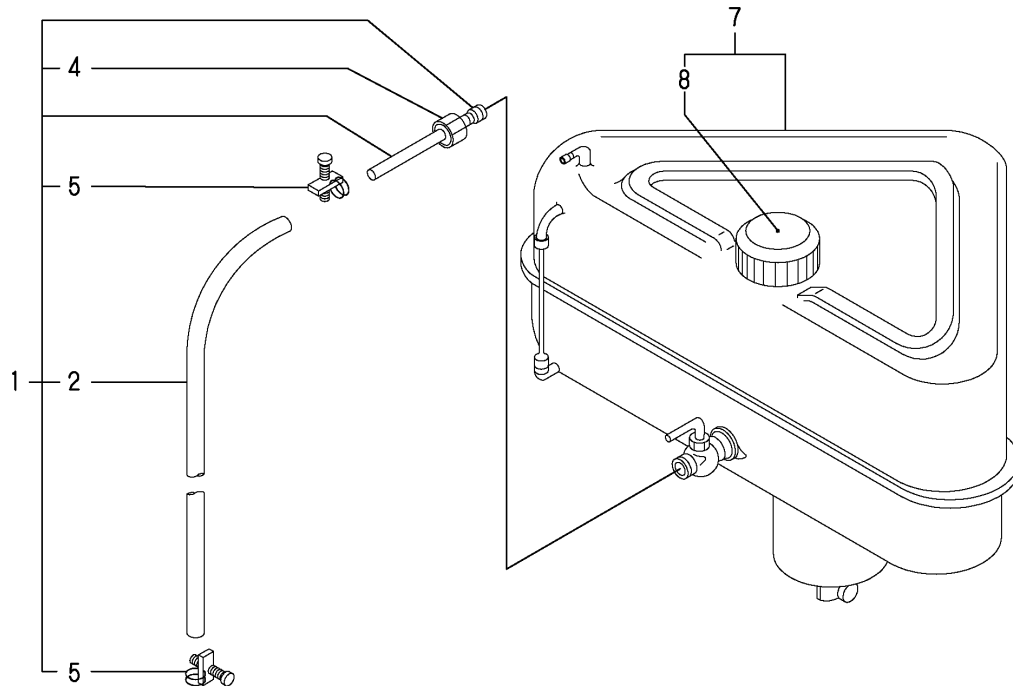
(D)=

(E)=

(F)=

REF.	LEV.	PARTS NO.	DESCRIPTION	Q'TY						I	R
				(A)	(B)	(C)	(D)	(E)	(F)		
1	1	128990-55010	BRACKET, FO FILTER	1							
I	1-1	128990-55011	BRACKET, FO FILTER	1							N
(A=*2004.11)											
2	1	26106-080162	BOLT M 8X 16 PLATED		2						
3	1	128990-55600	STRAINER ASSY		1						
4	2	110250-55610	RING, RETAINING		1						
5	2	104500-55710	ELEMENT, FUEL		1						
7	2	121370-55730	CUP, STRAINER		1						
8	2	101720-55750	PLUG 6		1						
9	2	23418-060000	GASKET 6, NYLON		1						
10	2	24341-000440	O-RING 1A S-44.0		1						
11	1	128990-59150	BOLT, PIPE JOINT M8		1						
12	1	128990-59530	JOINT, FO RETURN		1						
13	1	22190-080002	SEAL WASHER 8S		2						
14	1	26013-060162	BOLT M 6X 16		2						
15	1	104264-59020	JOINT 12, PIPE		2						
16	1	119172-59201	PIPE,FUEL		1						
17	1	129470-59542	PIPE, FUEL OIL		1						
18	1	22190-120002	SEAL WASHER 12		4						
19	1	23857-060000	JOINT BOLT 6,PIPE		2						
20	1	23000-016000	CLAMP 16		4						

Fig.25. FUEL TANK(OPTIONAL)



OCR10-G56000 25. FUEL TANK(OPTIONAL)

(A)=3YM30
(B)=
(C)=

(D)=
(E)=
(F)=

REF.	LEV.	PARTS NO.	DESCRIPTION	Q'TY						I	R
				(A)	(B)	(C)	(D)	(E)	(F)		
1	1	124070-59060	PIPE, FUEL OIL	1							
2	2	124070-59130	PIPE, FUEL OIL	1							
4	2	138603-59380	CAP NUT	1							
5	2	23010-014000	CLAMP 14	2							
7	1	83213-003012	TANK (30L), FUEL	1							
8	2	105430-55041	CAP, FUEL TANK	1							

Fig.26. CABLE SUPPORT

P/C NEWS No:Y00R5600-2
PUBLISHED:2004/7

(A)=3YM30

(B)=

(C)=

(D)=

(E)=

(F)=

REF.	LEV.	PARTS NO.	DESCRIPTION	Q'TY						I	R
				(A)	(B)	(C)	(D)	(E)	(F)		
1	1	128990-67150	BRACKET, CABLE	1							
2	1	129470-67200	RETAINER, JOINT	1							
6	2	22242-000100	CIRCLIP 10	1							
7	1	22360-080000	SNAP PIN 8	1							
8	1	26106-060122	BOLT M 6X 12 PLATED	2							
9	1	26557-050122	SCREW M 5X 12	2							
I	9-1	1 26557-050202	SCREW M 5X 20	2							R
		(A=*2004.06)									
10	1	41710-000410	CLAMP	1							
11	1	41730-000681	MT-3 REMO-CON	1							
12	1	128170-86501	REMOCON HEAD (MN	1							
13	1	41710-000380	CABLE L=4000	2							
I	14	1 121574-86320	RETAINER	1							W
		(A=*2004.06)									

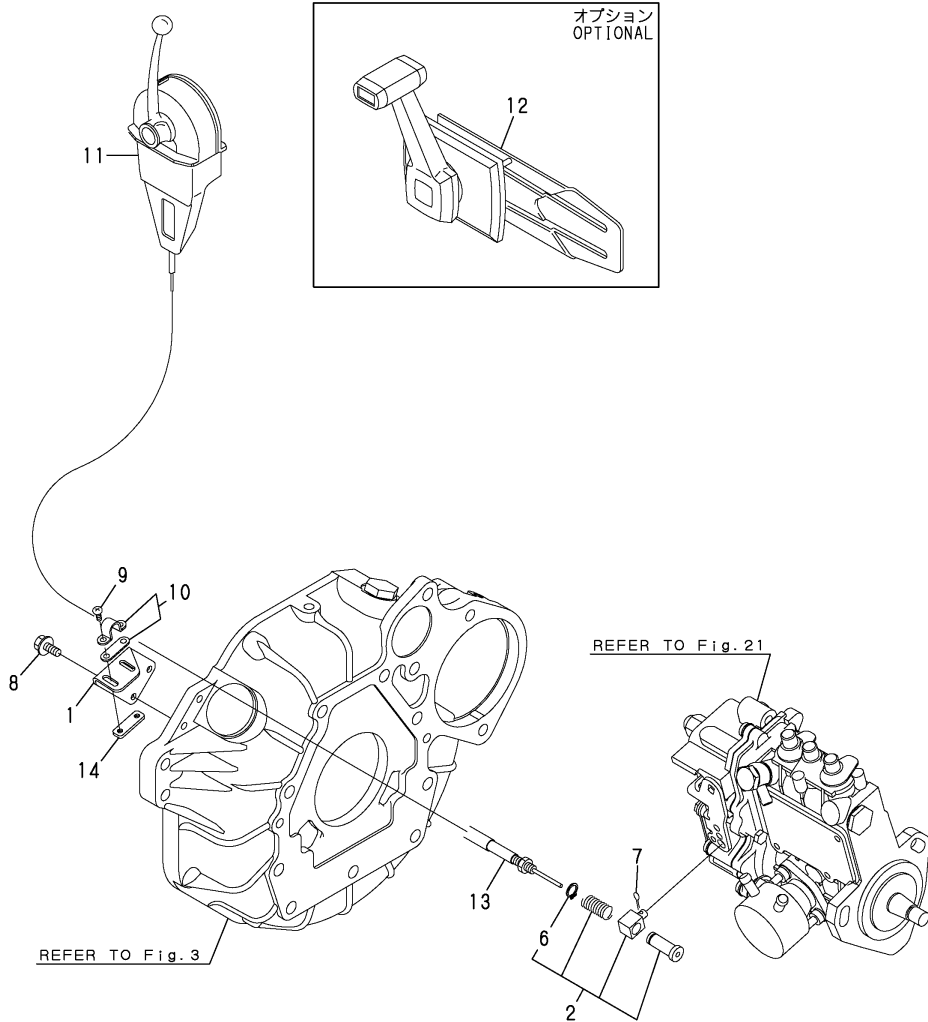


Fig.27. CLUTCH

(A)=3YM30

(B)=

(C)=

(D)=

(E)=

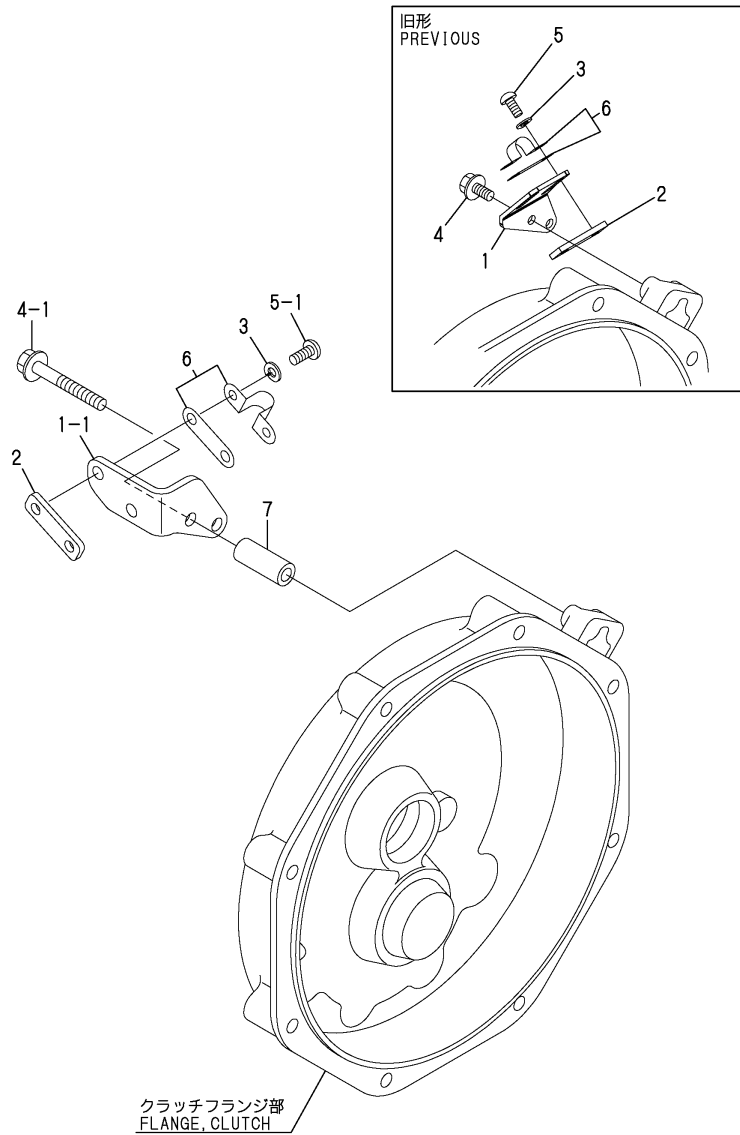
(F)=

REF.	LEV.	PARTS NO.	DESCRIPTION	Q'TY						I	R
				(A)	(B)	(C)	(D)	(E)	(F)		
1	1	128171-81310	CLUTCH KM2P-1 I=2.21	1							
2	1	128171-81320	CLUTCH KM2P-1 I=2.62	1							
3	1	128171-81330	CLUTCH KM2P-1 I=3.22	1							
4	1	26106-080422	BOLT M 8X 42 PLATED	7							
5	1	26216-080452	STUD M 8X 45 PLATED	1							
6	1	26366-080002	NUT M 8	1							

Remarks
PARTS LISTED IN THIS FIGURE ARE NOT
ILLUSTRATED.

Fig.28. CLUTCH REMOTE CONTROL

P/C NEWS No:Y00R5600-2
PUBLISHED:2004/7



OCR10-G56000 28. CLUTCH REMOTE CONTROL

(A)=3YM30

(B)=

(C)=

(D)=

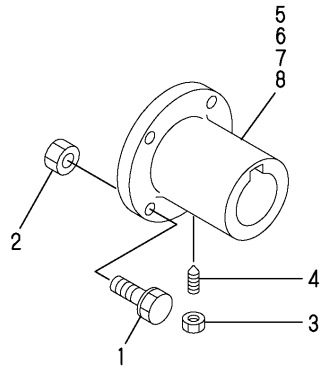
(E)=

(F)=

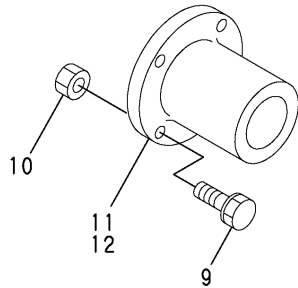
REF.	LEV.	PARTS NO.	DESCRIPTION	Q'TY						I	R	
				(A)	(B)	(C)	(D)	(E)	(F)			
1	1	128990-86300	BRACKET, CABLE	1								
1-1	1	128990-86301	BRACKET, CABLE	1								N
(A=FROM 1ST)												
2	1	121574-86320	RETAINER	1								
3	1	22212-050000	WASHER 5	2								
4	1	26106-060142	BOLT M 6X 14 PLATED	2								
4-1	1	26106-060452	BOLT M 6X 45 PLATED	2								N
(A=FROM 1ST)												
5	1	26557-050122	SCREW M 5X 12	2								
I	5-1	1	26557-050202	SCREW M 5X 20	2							R
(A=*2004.06)												
6	1	41710-000410	CLAMP	1								
7	1	128990-86350	SPACER, BRACKET	2								W
(A=FROM 1ST)												

Fig.29. COUPLING(OPTIONAL)

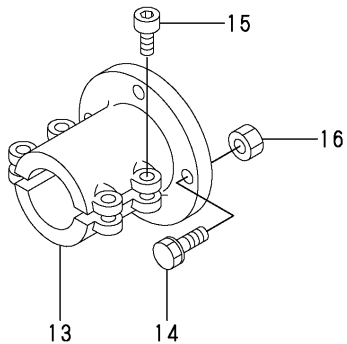
テーパカップリング
TAPER COUPLING



ストレートカップリング
STRAIGHT COUPLING



スリットカップリング
SLIT COUPLING



OCR10-G56000 29. COUPLING(OPTIONAL)

(A)=3YM30

(B)=

(C)=

(D)=

(E)=

(F)=

REF.	LEV.	PARTS NO.	DESCRIPTION	QTY						I	R
				(A)	(B)	(C)	(D)	(E)	(F)		
1	1	26106-100322	BOLT M10X 32 PLATED	4							
2	1	26706-100002	NUT M10	4							
3	1	26756-080002	LOCK NUT M 8 PLATED	1							
4	1	48110-032411	SCREW	1							
5	1	48110-522361	COUPLING 22, TAPER	1							
6	1	48110-025063	COUPLING 25, TAPER	1							
7	1	48110-028063	COUPLING 28, TAPER	1							
8	1	48110-032502	COUPLING, TAPER 30	1							
9	1	26106-100322	BOLT M10X 32 PLATED	4							
10	1	26706-100002	NUT M10	4							
11	1	45414-500260	COUPLING (16)	1							
12	1	105583-85900	COUPLING 22	1							
13	1	104214-83980	COUPLING (20), SLIT	1							
14	1	26106-100322	BOLT M10X 32 PLATED	4							
15	1	26450-080282	BOLT M 8X 28	4							
16	1	26706-100002	NUT M10	4							

Fig.30. STARTING MOTOR

(A)=3YM30

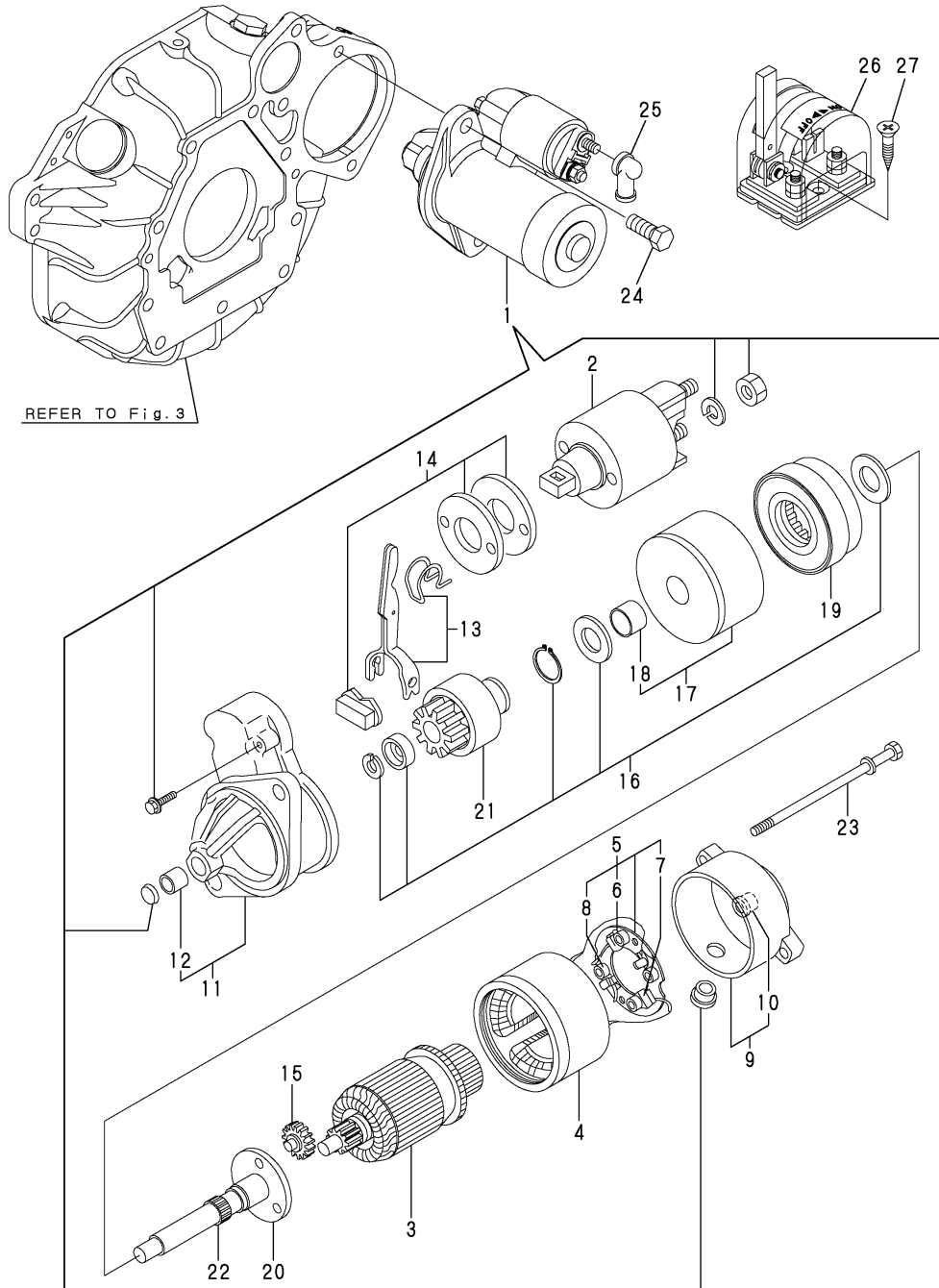
(B)=

(C)=

(D)=

(E)=

(F)=



REF.	LEV.	PARTS NO.	DESCRIPTION	Q'TY						I	R
				(A)	(B)	(C)	(D)	(E)	(F)		
1	1	129608-77010	STARTNG MOTOR	1							
2	2	129698-77020	MAGNETIC SWITCH ASSY	1							
3	2	129698-77101	ARMATURE ASSY	1							
4	2	129608-77110	YOKE ASSY	1							
5	2	129698-77120	HOLDER ASSY,BRUSH	1							
6	3	129698-77140	BRUSH(+) SET	1							
7	3	129698-77130	BRUSH (-)	2							
8	3	129698-77150	SPRING, BRUSH	4							
9	2	129698-77161	COVER ASSY, REAR	1							
10	3	129698-77170	REAR COVER METAL	1							
11	2	129698-77260	HOUSING ASSY, GEARS	1							
12	3	X2114535200	METAL, STARTER	1							
13	2	129698-77270	LEVER, SHIFT	1							
14	2	129698-77280	COVER ASSY, DUST	1							
15	2	129698-77240	GEAR	3							
16	2	129698-77250	WASHER SET	1							
17	2	129698-77180	BRACKET	1							
18	3	129698-77190	BRACKET	1							
19	2	129698-77200	INTERNAL GEAR	1							
20	2	129698-77210	BRACKET	1							
21	2	129698-77220	PINION ASSY	1							
22	2	129698-77230	SHAFT(PINION	1							
23	2	124195-77770	THROUGH BOLT	2							
24	1	26116-120302	BOLT M12X 30 PLATED	2							
25	1	124550-77030	COVER, TERMINAL	1							
26	1	123310-77640	SWITCH, BATTERY	1							
27	1	22724-800380	SCREW 8X 38	2							

Fig.31. GENERATOR

P/C NEWS No:Y00R5600-2
PUBLISHED:2004/7

(A)=3YM30

(B)=

(C)=

(D)=

(E)=

(F)=

Q'TY

REF.	LEV.	PARTS NO.	DESCRIPTION	Q'TY						I	R
				(A)	(B)	(C)	(D)	(E)	(F)		
1	1	128271-77200	GENERATOR 12V-60A	1							
2	2	123900-77700	ROTOR ASSY	1							
3	2	129612-77710	BALL BEARING	1							
4	2	128271-77720	BRACKET(STATOR+REGUL	1							
5	2	123900-77730	FRONT BRACKET ASSY	1							
6	2	128271-77740	PULLEY	1							
7	2	128271-77750	SCREW KIT	1							
8	1	119831-42290	V-BELT A37.5	1							
I	8-1	129612-42290	V-BELT,A37.5	1							R
(A=*2004.06)											
9	1	128990-77310	BRACKET,ALTERNATOR	1							
10	1	128990-77330	ADJUSTER, BELT	1							
11	1	26106-080202	BOLT M 8X 20 PLATED	1							
12	1	26106-080202	BOLT M 8X 20 PLATED	1							
13	1	26106-080252	BOLT M 8X 25 PLATED	1							
14	1	26106-100252	BOLT M10X 25 PLATED	2							
15	1	26106-100302	BOLT M10X 30 PLATED	1							

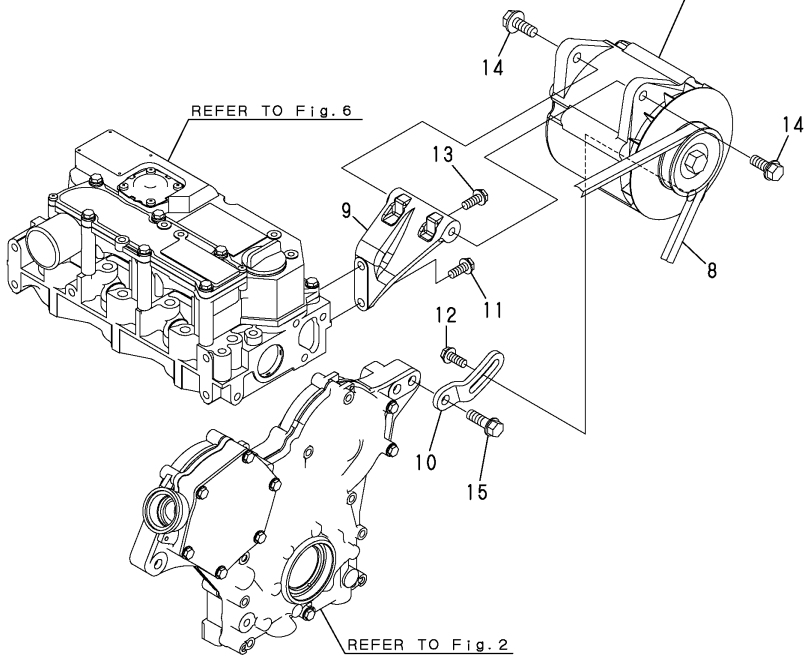
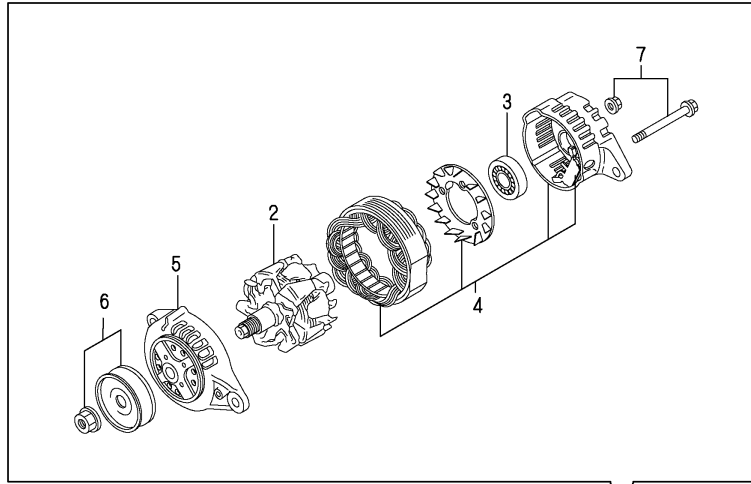


Fig.32. GENERATOR(80A/OPTIONAL)

(A)=3YM30

(B)=

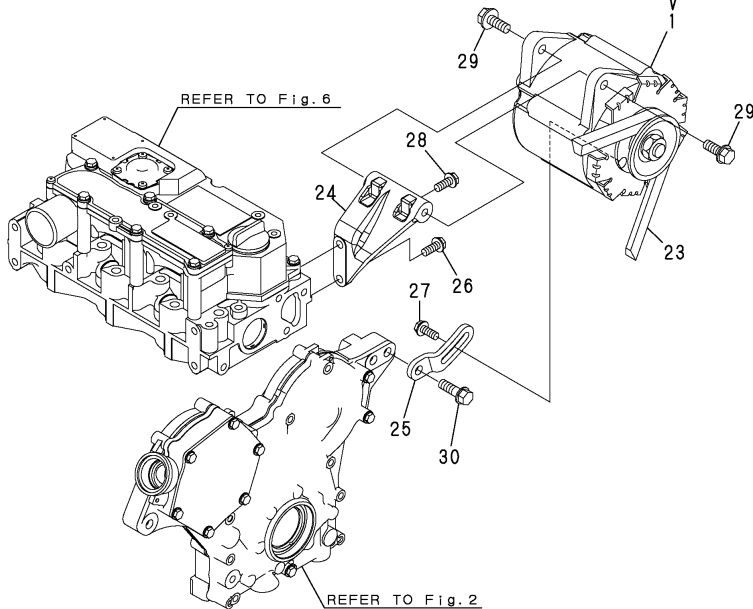
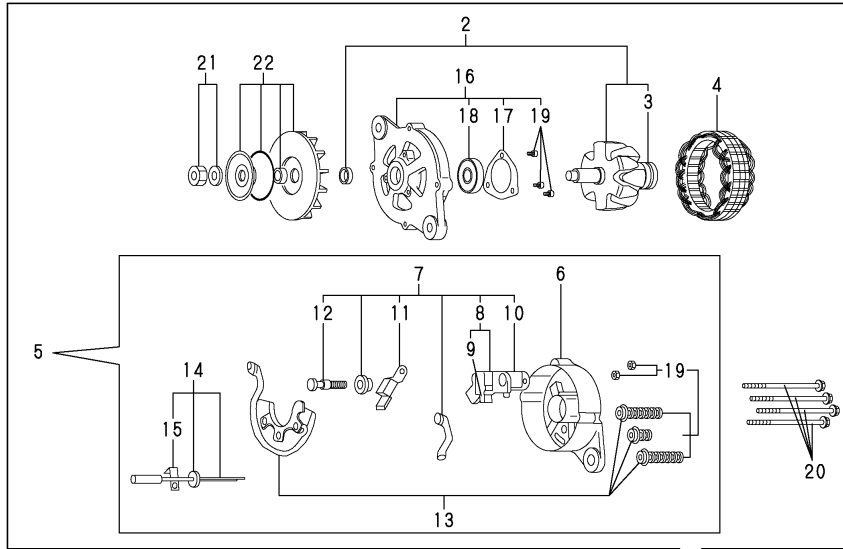
(C)=

(D)=

(E)=

(F)=

P/C NEWS No:Y00R5600-2
PUBLISHED:2004/7

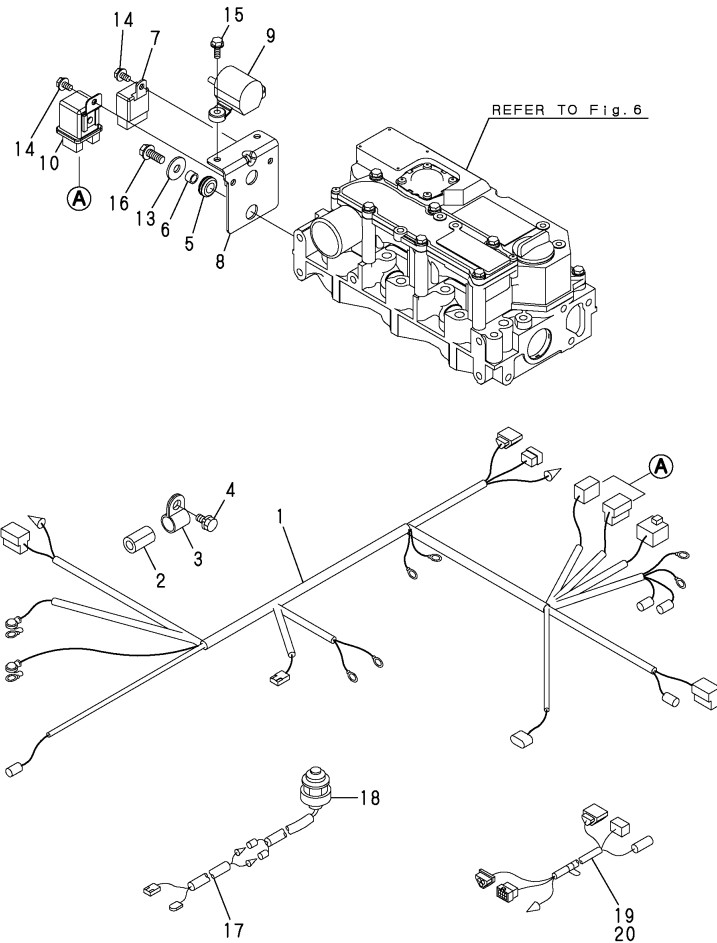


REF.	LEV.	PARTS NO.	DESCRIPTION	QTY						I	R
				(A)	(B)	(C)	(D)	(E)	(F)		
1	1	119573-77201	ALTERNATOR(12V-80A	1							
2	2	XL180G61000	ROTOR ASSY	1							
3	3	119129-77320	BALL BEARING	1							
4	2	XL180120000	STATOR ASSY	1							
5	2	XL180G63006	COVER ASSY, REAR	1							
6	3	XL180G13012	COVER, REAR	1							
7	3	XL180G43150	BRUSH ASSY,REGULATOR	1							
8	4	XL155G1330	BRUSH ASSY	1							1
9	4	XL225G1325	BRUSH SET	2							
10	4	124080-77390	REGULATOR ASSY	1							
11	4	XL225431800	CONDENSER	1							
12	4	124080-77520	BOLT M5	2							
13	3	XL1808320	DIODE ASY	1							
14	3	119129-77250	WIRE	1							
15	4	119129-77260	CLAMP,LEAD WIRE	1							
16	2	XL235340110	COVER ASSY, FRONT	1							
17	3	XL150M14041	RETAINER	1							
18	3	X6303BM0000	BALL BEARING	1							
19	3	119129-77930	SCREW KIT	1							
20	2	119129-77890	BOLT, THROUGH	4							
21	2	119129-77900	NUT ASSY, PULLEY	1							
22	2	XL180G85001	PULLEY ASSY	1							
23	1	119831-42290	V-BELT A37.5	1							
I 23-1	1	129612-42290	V-BELT,A37.5	1							R
(A=*2004.06)											
24	1	128990-77310	BRACKET,ALTERNATOR	1							
25	1	128990-77330	ADJUSTER, BELT	1							
26	1	26106-080202	BOLT M 8X 20 PLATED	1							
27	1	26106-080202	BOLT M 8X 20 PLATED	1							
28	1	26106-080252	BOLT M 8X 25 PLATED	1							
29	1	26106-100252	BOLT M10X 25 PLATED	2							
30	1	26106-100302	BOLT M10X 30 PLATED	1							

Remarks
(1)INC.9

Fig.33. WIRE HARNESS & RELAY

P/C NEWS No:Y00R5600-2
PUBLISHED:2004/7



(A)=3YM30

(B)=

(C)=

(D)=

(E)=

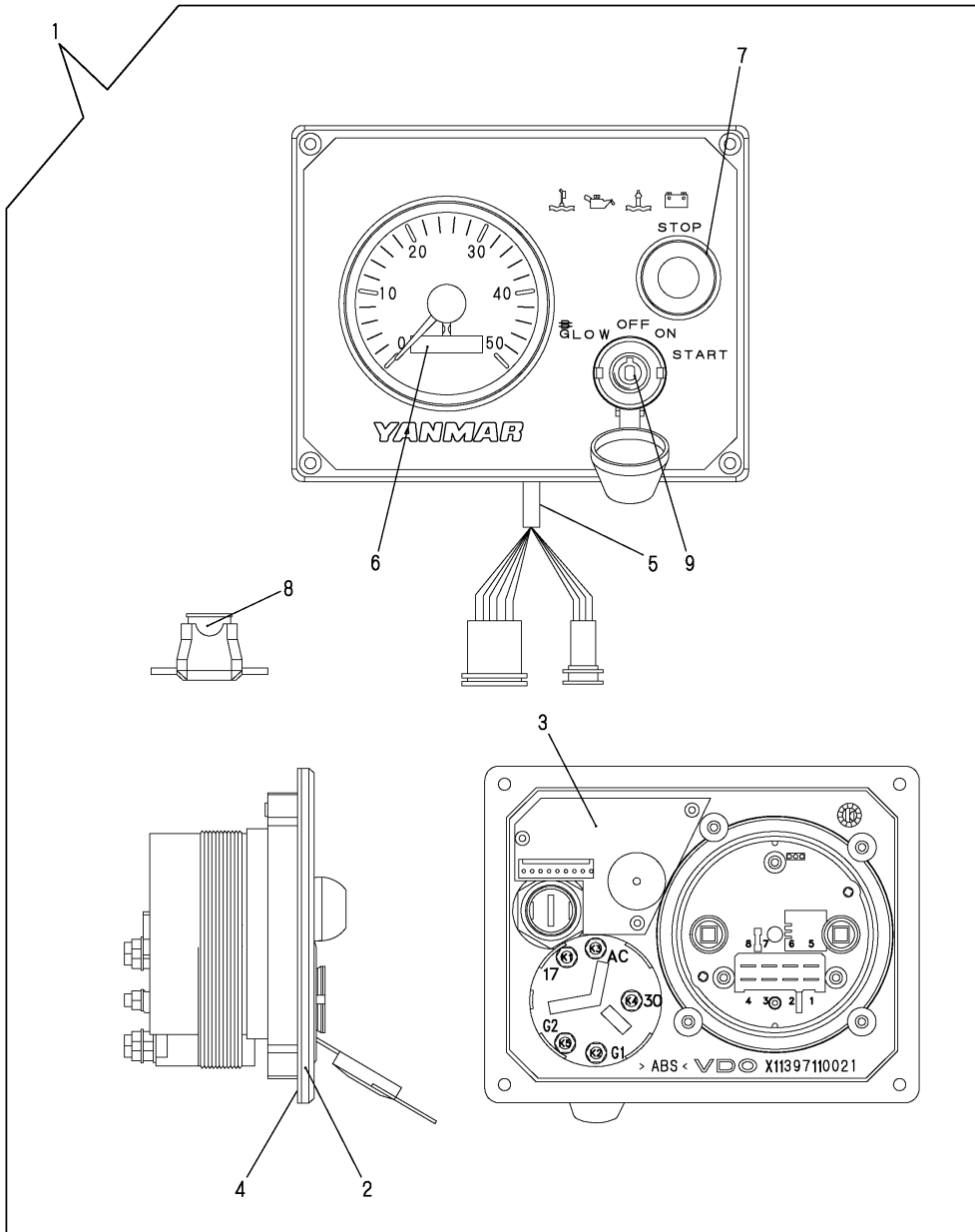
(F)=

REF.	LEV.	PARTS NO.	DESCRIPTION	Q'TY						I	R
				(A)	(B)	(C)	(D)	(E)	(F)		
1	1	128990-77900	HARNESS, WIRE	1							
I	1-1	128990-77920	WIRE HARNESS	1							N
(A=*2003.12)											
2	1	124770-77940	PROTECTOR	1							
3	1	124070-77950	CLAMP, WIRE	1							
I	3-1	121575-49310	CLAMP	1							R
(A=*2004.06)											
4	1	26106-080142	BOLT 8X 14 PLATED	1							
5	1	105100-55501	GROMMET	2							
6	1	105100-55540	COLLAR, FUEL TANK	2							
I	6-1	128990-77430	COLLAR	2							R
(A=*2004.05)											
7	1	119247-77100	RELAY, SAFETY	1							
8	1	128990-77400	BRACKET,RELAY	1							
I	9	120270-77511	RELAY, MAGNETIC	1							Z
(A=EXXX)											
I	9-1	128990-77550	RELAY, MAGNET	1							N
(A=EXXX)											
10	1	128990-77910	RELAY ASSY, GLOW	1							
13	1	22157-080000	WASHER 8	2							
14	1	26106-060102	BOLT 6X 10 PLATED	2							
15	1	26106-060162	BOLT M 6X 16 PLATED	2							
16	1	26106-080202	BOLT M 8X 20 PLATED	2							
17	1	177074-06350	HARNESS, WIRE	1							1
18	1	120270-77101	SWITCH	1							1
19	1	128391-77700	HARNESS, WIRE(3M)	1							1
20	1	128391-77720	HARNESS, WIRE(6M)	1							1

Remarks
(1)OPTIONAL

Fig.34. INSTRUMENT PANEL(B-TYPE/OPTIONAL)

P/C NEWS No:Y00R5600-1
PUBLISHED:2003/9



OCR10-G56000 34. INSTRUMENT PANEL(B-TYPE/OPTIONAL)

(A)=3YM30

(B)=

(C)=

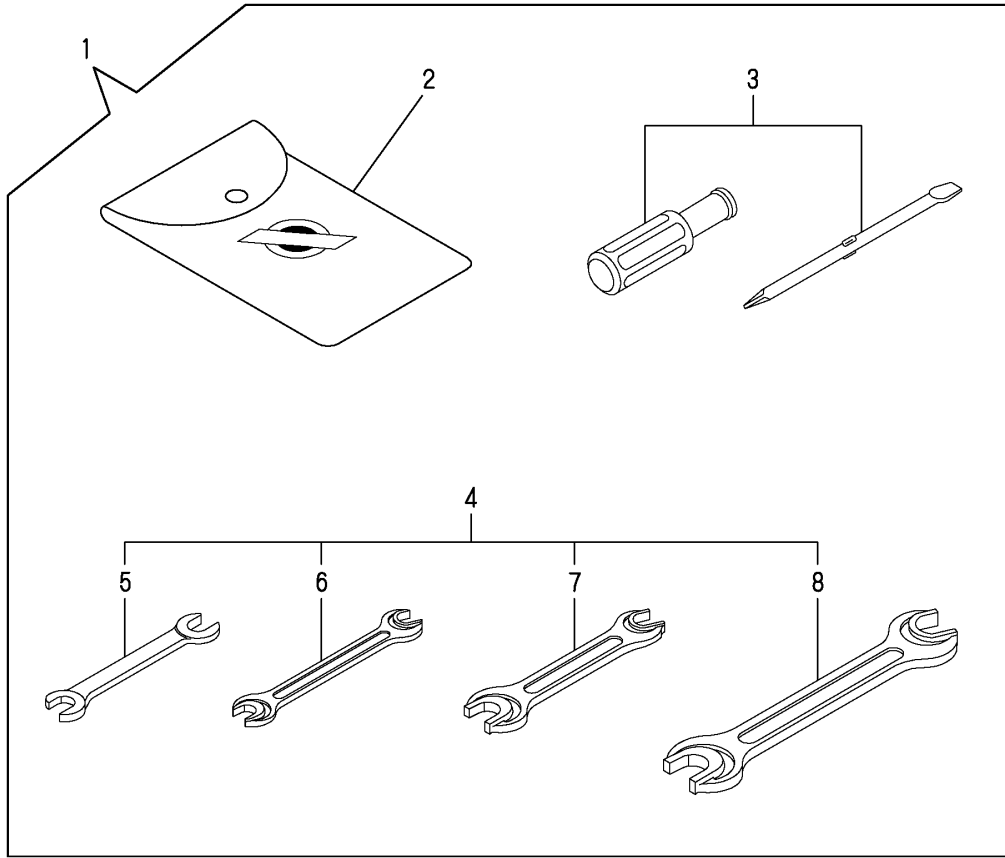
(D)=

(E)=

(F)=

REF.	LEV.	PARTS NO.	DESCRIPTION	Q'TY						I	R
				(A)	(B)	(C)	(D)	(E)	(F)		
1	1	129271-91110	PANEL, INSTRUMENT B	1							
2	2	129271-91120	PANEL WITH COVERFOIL	1							
3	2	129271-91130	CIRCUIT WITH LED&BZR	1							
4	2	129271-91140	RUBBER SEAL,B PANEL	1							
5	2	129271-91150	HARNES,B PANEL	1							
6	2	129271-91210	TACHOMETER	1							
7	2	129271-91220	STOP SWITCH	1							
8	2	129271-91230	FUSE,PANEL (3A)	1							
9	2	127412-91250	SWITCH W/KEY	1							

Fig.35. TOOL



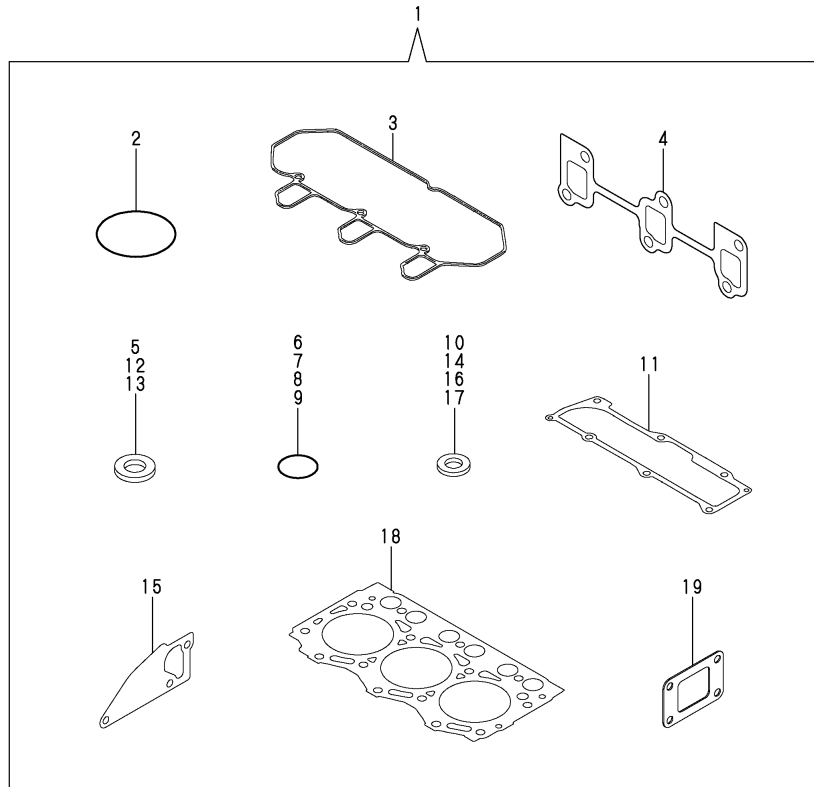
(A)=3YM30
(B)=
(C)=

(D)=
(E)=
(F)=

REF.	LEV.	PARTS NO.	DESCRIPTION	Q'TY						I	R
				(A)	(B)	(C)	(D)	(E)	(F)		
1	1	129270-92100	TOOL BOX SET	1							
2	2	129270-92600	TOOL BAG	1							
3	2	129270-92650	DRIVER	1							
4	2	129270-92690	SPANNER SET	1							
5	3	129270-92610	SPANNER 10X13	1							
6	3	129270-92620	SPANNER 12X14	1							
7	3	129270-92630	SPANNER 17X19	1							
8	3	129270-92640	SPANNER 22X24	1							

Fig.36. GASKET SET(OPTIONAL)

P/C NEWS No. : Y00R5600-4
 PUBLISHED : 2004/12



OCR10-G56000 36. GASKET SET(OPTIONAL)

(A)=3YM30
 (B)=
 (C)=

(D)=
 (E)=
 (F)=

REF.	LEV.	PARTS NO.	DESCRIPTION	QTY						I	R
				(A)	(B)	(C)	(D)	(E)	(F)		
1	1	728990-92600	GASKET SET	1							
2	2	121850-51960	O-RING, F.I.PUMP	1							
3	2	119718-11310	GASKET, BONNET	1							
4	2	119717-13110	GASKET, MANIFOLD	1							
5	2	22190-080002	SEAL WASHER 8S	6							
6	2	24311-000320	O-RING 1A P-32.0	2							
7	2	119717-32060	O-RING, P15.0	1							
8	2	119624-32040	O-RING P 12.0	1							
9	2	119717-32050	O-RING, P17.0	3							
10	2	119600-11460	GASKET, NOZZLE	6							
11	2	119717-11331	GASKET, BONNET COVER	1							
12	2	22190-160002	SEAL WASHER 16S	2							
13	2	22190-120002	SEAL WASHER 12	8							
14	2	129901-59560	GASKET, RETURN	3							
15	2	119717-42020	GASKET, WATER PUMP	1							
16	2	23414-080000	GASKET 8, ROUND	1							
17	2	124465-44950	GASKET 16	2							
18	2	119717-01330	GASKET, CYL.HEAD	1							
19	2	128370-13201	GASKET, (NON-ASB.)	1							

Remarks
 THIS FIGURE IS NEWLY ADDED.

Fig.37. V-BELT COVER

P/C NEWS No:Y00R5600-5
PUBLISHED:2006/9

(A)=3YM30

(B)=

(C)=

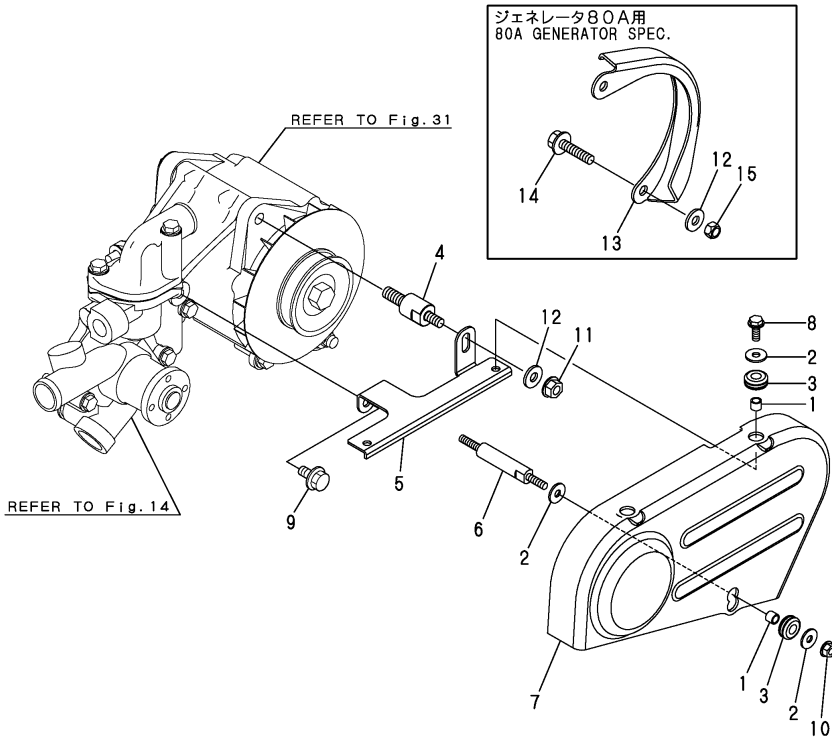
(D)=

(E)=

(F)=

REF. LEV. PARTS NO. DESCRIPTION QTY I R

REF.	LEV.	PARTS NO.	DESCRIPTION	(A)	(B)	(C)	(D)	(E)	(F)	I	R
I	1	128990-77440	COLLAR	3							
I	2	128990-77510	WASHER PLAIN	4							
I	3	120270-67120	GROMMET	3							
I	4	128990-77410	BOLT , BELT COVER	1							
I	5	128990-77450	BRACKET , COVER	1							
I	6	128990-77470	BOLT , BELT COVER	1							
I	7	128990-77480	COVER , V-BELT	1							W
(A=E/#E01671)											
I	8	26106-060162	BOLT M 6X 16 PLATED	2							
I	9	26106-080162	BOLT M 8X 16 PLATED	1							
I	10	26366-060002	NUT M 6	1							
I	11	26366-080002	NUT M 8	1							
I	12	128990-77500	WASHER , PLAIN	1							
I	13	128990-77490	COVER , ALTERNATOR	1							W
(A=E/#E01671)											
I	14	26106-080352	BOLT M 8X 35 PLATED	1							
I	15	26986-080002	NUT 8,LOCK	2							



Remarks
THIS FIGURE IS NEWLY ADDED.

Part Number Index

All parts are stipulated in the order of part numbers.

(Depending on the area in which the part is used.)

This index will display the location of the part according to each part number.

PARTS No. INDEX

PARTS No.	Fig.	Ref.No.
101304-59020	23	43
101720-55750	24	8
103854-39140	23	42
104214-13580	8	10
104214-83980	29	13
104264-59020	24	15
104500-55710	24	5
104511-78780	13	26 -1
105010-11490	6	5
105100-55501	33	5
105100-55540	33	6
105311-01090	1	7
105430-55041	25	8
105583-85900	29	12
110250-55610	24	4
114250-39450	12	6
118200-53010	23	2
118400-51370	20	56
119129-77250	32	14
119129-77260	32	15
119129-77320	32	3
119129-77890	32	20
119129-77900	32	21
119129-77930	32	19
119172-59201	24	16
119247-77100	33	7
119285-01990	1	9
119285-11990	6	14
119285-66650	21	139
119305-35150	12	2
119309-59590	23	44
119515-53000	23	1
119515-53010	23	3
119527-61700	21	129 -1
119573-77201	32	1
119600-11460	6	4
	36	10
119620-01750	3	4
119620-01800	2	17
119620-02020	1	10
119620-11280	6	29
119620-14200	9	1
119620-21941	10	14
119620-49290	14	29
119620-59700	23	31
119621-21680	10	13
119623-01250	1	8
119624-32040	2	19
	36	8
119660-01911	2	18

PARTS No.	Fig.	Ref.No.
119660-61300	21	76
119660-61901	21	65
119717-01330	1	31
	36	18
119717-01501	2	1
119717-01521	2	5
119717-01570	2	3
119717-01590	2	4
119717-01720	3	7
119717-01750	2	16
119717-02410	1	13
119717-03031	6	39
119717-03070	6	40
		41
119717-11100	6	16
119717-11110	6	17
119717-11131	6	18
119717-11190	6	20
119717-11200	6	24
119717-11240	6	25
119717-11260	6	28
119717-11320	6	50
119717-11331	6	51
	36	11
119717-11340	6	21
119717-11350	6	22
119717-11381	6	38
119717-11650	6	30
119717-11740	6	6
119717-11800	6	12
119717-13110	15	1
	36	4
119717-14400	9	2
119717-14580	9	3
119717-21700	10	1
119717-22300	10	22
119717-22500	10	18
119717-22550	10	34
119717-23000	10	24
119717-23200	10	28
119717-23600	10	29
119717-23610	10	40
119717-23910	10	27
119717-25050	9	10
119717-25100	9	11
119717-25930	9	16
119717-32050	2	20
	36	9
119717-32060	12	3
	36	7

PARTS No.	Fig.	Ref.No.
119717-32080	2	8
119717-32100	2	7
119717-32110	2	12
119717-32120	2	13
119717-39210	12	7
119717-42002	14	1
119717-42020	14	13
	36	15
119717-42031	14	4
119717-42041	14	3
119717-42320	14	11
119717-51030	20	6
119717-51060	20	7
119717-51070	20	8
119717-51150	20	14
119717-51180	20	16
119717-51190	20	17
119717-51200	20	18
119717-51420	20	88
119717-51480	20	94
119717-51490	20	95
119717-51500	20	66
119717-51570	20	16 -1
119717-51710	20	77
119717-51711	20	77 -1
119717-51750	20	78
119717-51760	20	79
119717-51761	20	79 -1
119717-59510	23	22
119717-59810	23	9
119717-59820	23	13
119717-59830	23	17
119717-61050	21	2
119717-61060	21	3
119717-61070	21	4
119717-61100	21	5
119717-61120	21	8
119717-61130	21	9
119717-61140	21	10
119717-61200	21	72
119717-61400	21	13
119717-61440	21	20
119717-61500	21	29
119717-77800	6	58
119718-11310	6	49
	36	3
119718-22080	10	16
119718-22090	10	32
119740-42350	14	26
119740-51100	20	10

PARTS No.	Fig.	Ref.No.
119773-59511	23	29
119802-03100	6	42
119802-03110	6	43
119802-03121	6	44
119802-03131	6	45
119802-03141	6	46
119802-32130	2	14
119810-01200	1	30
119810-02930	1	27
119810-02940	1	32
119813-59950	23	32
119831-42290	31	8
	32	23
119840-59570	23	21
120270-67120	37	3
120270-77101	33	18
120270-77511	33	9
121111-21501	10	7
121120-01620	3	3
121370-55730	24	7
121450-42450	3	10 -1
121574-86320	26	14
	28	2
121575-49310	16	4
	33	3 -1
121850-51960	2	21
	36	2
122710-51090	20	9
123310-77640	30	26
123682-07852	5	4
123900-77700	31	2
123900-77730	31	5
124060-01050	1	6
124070-13300	8	7
124070-13520	8	6
124070-42400	13	7
124070-59060	25	1
124070-59130	25	2
124070-77950	33	3
124080-77390	32	10
124080-77520	32	12
124085-02220	3	5
124101-49530	14	17
124160-01751	2	29
	6	37
124160-01910	1	5
124195-77770	30	23
124223-49050	16	6
124465-44950	3	13 -1
		13 -2

PARTS No. INDEX

PARTS No.	Fig.	Ref.No.
124465-44950	14	21
		22
		32
		36
	36	17
124550-51350	20	49
124550-77030	30	25
124770-77940	33	2
124950-21600	10	11
124976-34850	11	7
127412-91250	34	9
128170-13600	8	3
128170-86501	26	12
128171-81310	27	1
128171-81320	27	2
128171-81330	27	3
128270-12540	7	5
128271-77200	31	1
128271-77720	31	4
128271-77740	31	6
128271-77750	31	7
128275-39710	12	12
128296-07190	5	11
128296-07400	5	12
128296-07420	5	13
128296-07450	5	14
128296-07460	5	15
128370-13201	8	1
		5
	36	19
128370-13610	8	11
128370-59040	23	40
128377-07150	5	1
128377-07260	5	2
128377-07350	5	3
128377-08120	4	3
128377-08130	4	4
128377-08340	4	7
128377-08350	4	8
		9
128391-77700	33	19
128391-77720	33	20
128397-13530	8	2
128397-42200	13	22
128397-44500	15	22
128397-44510	15	24
128990-01600	3	2
128990-01750	3	9
128990-07560	5	6
128990-07910	6	1 -1

PARTS No.	Fig.	Ref.No.
128990-08100	4	1
128990-08110	4	2
128990-12210	7	1
128990-12500	7	2
128990-21590	10	8
128990-21650	10	12
128990-34850	11	1
128990-34860	11	2
128990-35080	12	4
128990-42150	13	5
128990-42151	13	5 -1
128990-42160	13	23
128990-42170	13	24
128990-42180	13	25
128990-42200	13	22 -1
128990-42260	14	25
128990-42500	13	1
128990-42510	13	1 -1
128990-42520	13	12
128990-44070	15	10
128990-44080	15	11
128990-44090	15	14
128990-44100	15	15
128990-44110	15	16
128990-44120	15	17
128990-44130	15	18
128990-44400	15	19
128990-44900	15	2
128990-49010	16	1
128990-49020	16	3
128990-49030	3	20
128990-49040	8	12
128990-49050	17	1
128990-49060	17	3
128990-49070	17	3 -1
128990-49110	16	2
	17	2
128990-49150	17	4
128990-49320	14	33
		37
128990-49330	14	34
128990-49350	14	38
128990-49360	14	39
128990-49370	14	40
128990-49380	14	41
128990-49390	14	42
128990-49800	14	18
128990-51190	20	45
128990-51200	20	18 -1
128990-51300	20	45 -1

PARTS No.	Fig.	Ref.No.
128990-51330	20	48
128990-55010	24	1
128990-55011	24	1 -1
128990-55600	24	3
128990-59150	24	11
128990-59530	24	12
128990-61560	21	96
128990-67150	26	1
128990-77310	31	9
	32	24
128990-77330	31	10
	32	25
128990-77350	13	26
128990-77400	33	8
128990-77410	37	4
128990-77430	33	6 -1
128990-77440	37	1
128990-77450	37	5
128990-77470	37	6
128990-77480	37	7
128990-77490	37	13
128990-77500	37	12
128990-77510	37	2
128990-77550	33	9 -1
128990-77820	6	59
128990-77900	33	1
128990-77910	33	10
128990-77920	33	1 -1
128990-81150	3	21
128990-86300	28	1
128990-86301	28	1 -1
128990-86350	28	7
129001-32320	2	10
129001-32330	2	11
129005-59830	12	8
129052-61390	21	12
129100-01580	3	1
	10	2
129100-35140	12	1
129100-51570	20	72
129100-61650	21	59
129100-61730	21	129
129150-11230	6	31
129150-11750	6	33
129150-25301	9	15
129150-59120	23	4
129150-59131	23	7
129155-51020	20	5
129155-51140	20	13
129155-51280	20	43

PARTS No.	Fig.	Ref.No.
129155-51280	20	44
	21	6
129155-51400	20	58
129155-51450	20	61
129155-51521	20	67
129155-51530	20	68
129155-51540	20	69
129155-51550	20	70
129155-51580	20	74
129155-51591	20	75
129155-51600	20	23
129155-51701	20	76
129155-52051	22	2
129155-61341	21	77
129155-61450	21	21
129155-61460	21	78
129155-61480	21	23
129156-51910	20	81
129156-61460	21	22
129158-52000	22	1
129158-52100	22	3
129209-61370	21	11
129209-61930	21	130
129209-61940	21	134
129209-61960	21	136
129209-61970	21	131
129270-44500	15	23
129270-92100	35	1
129270-92600	35	2
129270-92610	35	5
129270-92620	35	6
129270-92630	35	7
129270-92640	35	8
129270-92650	35	3
129270-92690	35	4
129271-77950	21	132
129271-91110	34	1
129271-91120	34	2
129271-91130	34	3
129271-91140	34	4
129271-91150	34	5
129271-91210	34	6
129271-91220	34	7
129271-91230	34	8
129470-59542	24	17
129470-67200	26	2
129486-07910	6	1
129486-61540	21	49
129508-11180	6	19
129608-77010	30	1

PARTS No. INDEX

PARTS No.	Fig.	Ref.No.
129608-77110	30	4
129612-42290	31	8 -1
	32	23 -1
129612-77710	31	3
129670-44570	15	25
129673-44110	15	7
129673-44150	15	9
129698-77020	30	2
129698-77101	30	3
129698-77120	30	5
129698-77130	30	7
129698-77140	30	6
129698-77150	30	8
129698-77161	30	9
129698-77170	30	10
129698-77180	30	17
129698-77190	30	18
129698-77200	30	19
129698-77210	30	20
129698-77220	30	21
129698-77230	30	22
129698-77240	30	15
129698-77250	30	16
129698-77260	30	11
129698-77270	30	13
129698-77280	30	14
129900-32130	2	9
129901-11450	6	3
129901-59560	23	28
	36	14
129916-49740	14	12
138603-59380	25	4
158552-61700	21	60
158552-61710	21	64
158552-61900	21	81 -1
158600-51170	20	15
158600-51270	20	42
158600-51340	20	50
158600-51410	20	59
158600-51420	20	60
158600-51440	20	50 -1
158600-51441	20	50 -2
158600-51442	20	50 -3
158600-51570	20	73
158600-51790	20	80
158601-61760	21	88
174307-51700	21	30
177070-03501	10	42
177074-06350	33	17
194250-51660	17	5

PARTS No.	Fig.	Ref.No.
196630-12980	5	5
41710-000380	26	13
41710-000410	26	10
	28	6
41730-000681	26	11
43662-015020	16	9
43666-020951	16	10
45414-500260	29	11
46150-503100	14	24
48110-025063	29	6
48110-028063	29	7
48110-032411	29	4
48110-032502	29	8
48110-522361	29	5
719717-01560	1	1
719717-02900	1	24
719717-02910	1	35
728990-51350	20	1
728990-92600	36	1
83213-003012	25	7
977780-01200	19	1
977780-01210	18	1
977780-01230	18	2
	19	2
977780-01240	19	3
977780-01250	18	3
977780-03000	18	9
	19	9
X00141916	13	11
X00183200	13	14
X00190050	13	13
X00353309	13	10
X00370012	13	20
X00371732	13	21
X0044021509	18	7
	19	7
X0142398	13	3
X0145050	13	4
X0146541	13	6
X0146542	13	8
X014678901	13	9
X02173432	13	15
X02173476	13	16
X02233010	13	19
X03431748	13	18
X03431760	13	17
X179100011X	19	5
X179100021X	18	5
X179100100X	18	6
	19	6

PARTS No.	Fig.	Ref.No.
X199903800X	18	8
	19	8
X2114535200	30	12
X6303BM0000	32	18
X8636008003	18	4
	19	4
XL150M14041	32	17
XL155G1330	32	8
XL180120000	32	4
XL1808320	32	13
XL180G13012	32	6
XL180G43150	32	7
XL180G61000	32	2
XL180G63006	32	5
XL180G85001	32	22
XL225431800	32	11
XL225G1325	32	9
XL235340110	32	16

PARTS No.	Fig.	Ref.No.
-----------	------	---------



YANMAR CO., LTD.