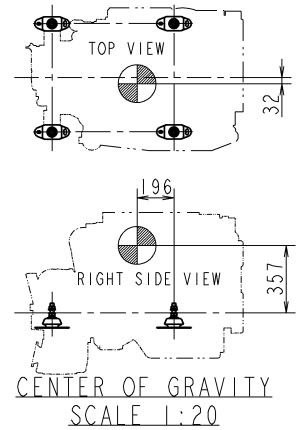
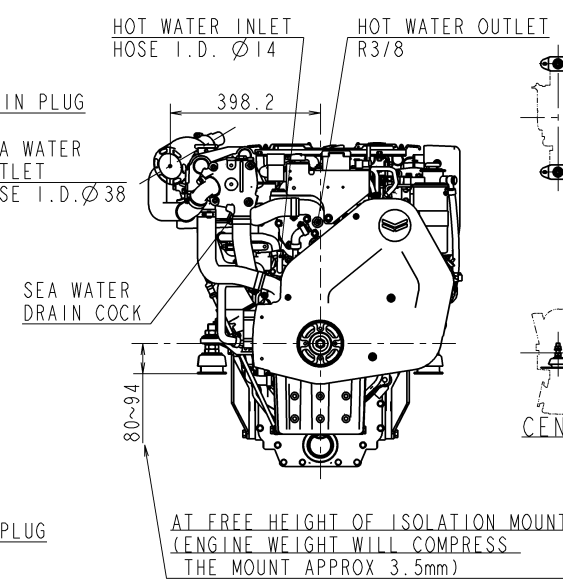
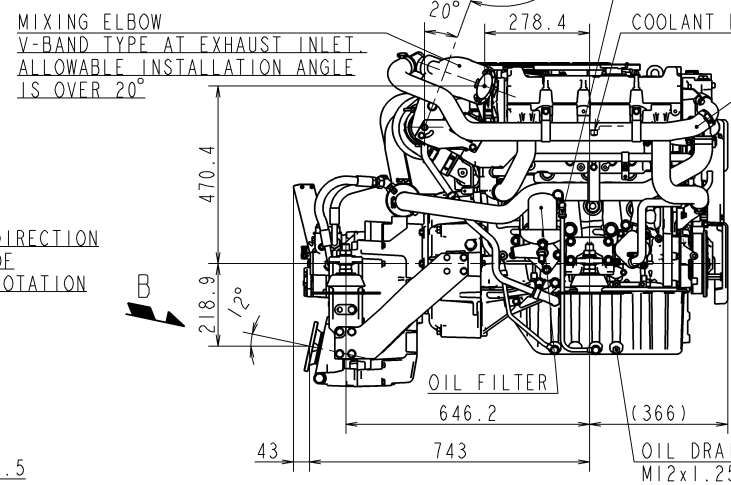
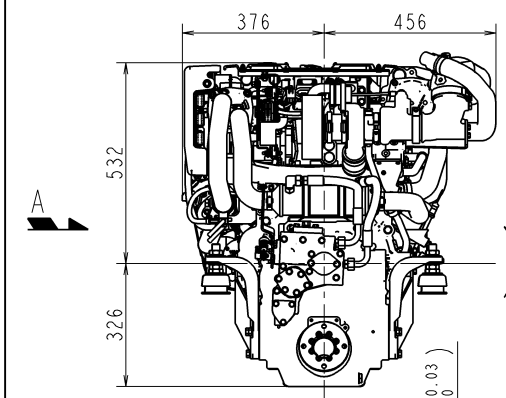
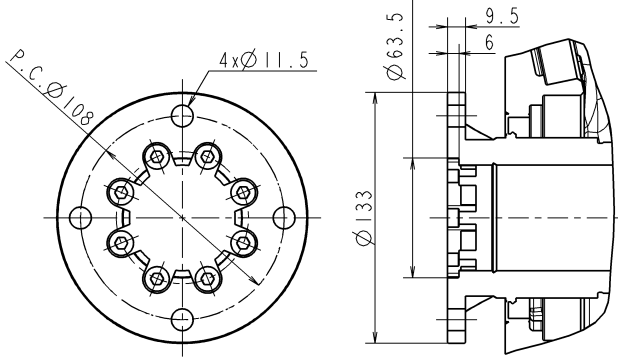


CAREER
RELEASE OF DRAWING FOR MASS PRODUCTION.
(YDSBD-17005)



AT FREE HEIGHT OF ISOLATION MOUNT
(ENGINE WEIGHT WILL COMPRESS THE MOUNT APPROX 3.5mm)



DETAIL OF COUPLING
ARROW B
(SCALE 1:2)

SPECIFICATIONS			
MODEL	4LV150	4LV170	4LV195
Continuous Power (ISO8665)kW/min ⁻¹	100 / 3392	114 / 3392	130 / 3392
Fuel Stop Power Crankshaft (ISO8665)kW/min ⁻¹	110 / 3500	125 / 3500	143 / 3500
Engine Mass	kg Approx.414		
Direction Of Propeller Shaft Rotation	Counter-clockwise		

量産用
FOR MASS PRODUCTION

MANAGER
山口

SEC. MANAGER 高崎	MODEL	4LV150	4LV170	4LV195	SCALE	1:10
CHECKED 中村幸	SPECIALIST	QTY	-	-	MATERIAL	-
DESIGNED 石井	DRAWN 堀	DATE:Y.M.D	2017.10.24		4LV X KMH50V OUTLINE	
					CODE	B2-20672-0030
					DRAWN SIZE	A2

YANMAR CO.,LTD. DEVELOPMENT DIV.